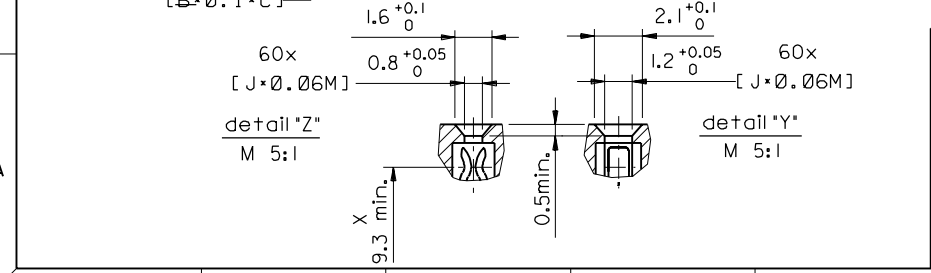
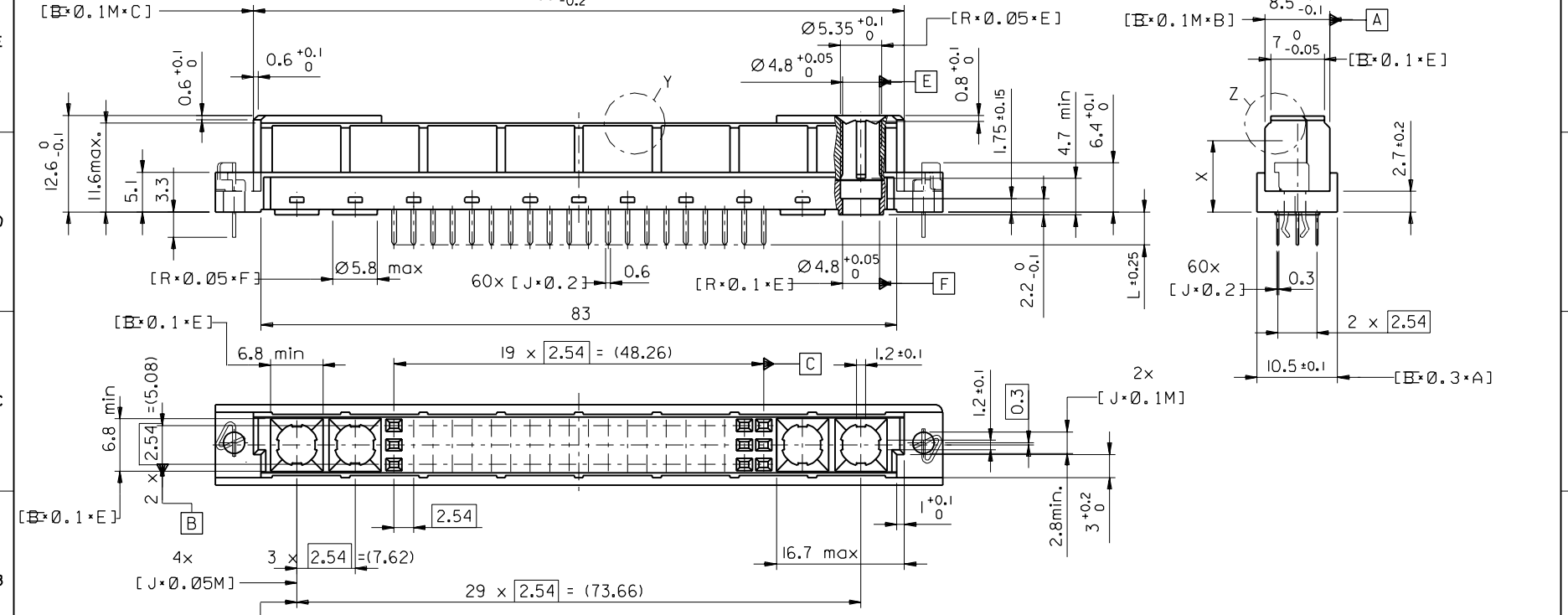


PART NO.
DWG. NO.



ECN 2478		FIRST ANGLE PROJECTION		REVISE ONLY ON CAD SYSTEM		SH.	REV.
A	LTR	REVISIONS	UNLESS OTHERWISE SPECIFIED TOLERANCES: ANGULAR ±2°	DRWG BY	SIGN	CAD/CAM PROJECT NAME	
		FOR PREVIOUS REVISIONS SEE MRI LIST	INCH METRIC	KN		85048000	THIS DRAWING CONTAINS INFORMATION THAT IS PROPRIETARY TO MOLEX INC. & SHOULD NOT BE USED WITHOUT WRITTEN PERMISSION
		3 PLACE ±		CHK'D BY	SIGN	TITLE	
		2 PLACE ±		Ca		60 pol. Federleiste	
		1 PLACE ±		APP'D BY	SIGN	60 pos. female connector	
			DESIGN DIMENSION <input checked="" type="checkbox"/> MM	JB		DIN 41612, style M	
			EQUIVALENT DIMENSION <input type="checkbox"/> MM	SCALE		MOLEX EUROPE	
				2:1		SHEET NO. DATE	
						1 OF 1 97/04/11	
						PART NO. DWG NO.	
						SD-85048-0002	
						SIZE	
						B	

