

SAFETY ORGANIZATIONS

THIS FILTER HAS BEEN FORMALLY RECOGNIZED, CERTIFIED OR APPROVED BY THE LISTED AGENCY. THEREFORE, ALL TEST/REQUIREMENTS SPECIFIED IN THE LATEST REVISION OF THE FOLLOWING AGENCY STANDARDS HAVE BEEN MET:

- UL RECOGNIZED: UL 1283
- CSA CERTIFIED: CSA 22.2, # 8
- VOE APPROVED: EN 133200

OPERATING SPECIFICATIONS

LINE CURRENT/VOLTAGE: 3 AMP/40°C 120/250VAC

LINE FREQUENCY: 50-60Hz

MAXIMUM LEAKAGE CURRENT,
EACH LINE TO GROUND: 0.22mA @ 120V, 60Hz
0.38mA @ 250V, 50Hz

OPERATING AMBIENT TEMP. RANGE: -10°C TO +40°C @ RATED CURRENT, I_r .

IN AN AMBIENT, T_0 , HIGHER THAN 40°C, THE MAXIMUM OPERATING CURRENT, I_0 , IS AS FOLLOWS:

$$I_0 = I_r \sqrt{\frac{100 - T_0}{60}}$$

RELIABILITY SPECIFICATIONS:

STORAGE TEMPERATURE: -40°C TO +85°C
HUMIDITY: 21 DAYS @ 40°C 95% RH.
CURRENT OVERLOAD TEST: 6 TIMES I_r FOR 8 SECONDS

TEST SPECIFICATIONS:

INDUCTANCE: 2.0mH NOMINAL
CAPACITANCE: (MEASURED @ 1KHz, 0.250VAC MAX., 25°C±1°C)
LINE TO GROUND: 0.0059µF ±20%
LINE TO LINE: 0.1015µF ±20%
DISCHARGE RESISTOR: 3.3MΩ
L/G AND L/L I.R.: 6000MΩ (MIN.) @ 100VDC, 20°C AND 50% RH

RECOMMENDED RECEIVING INSPECTION HIPOT:

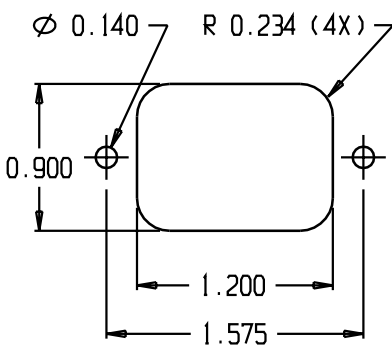
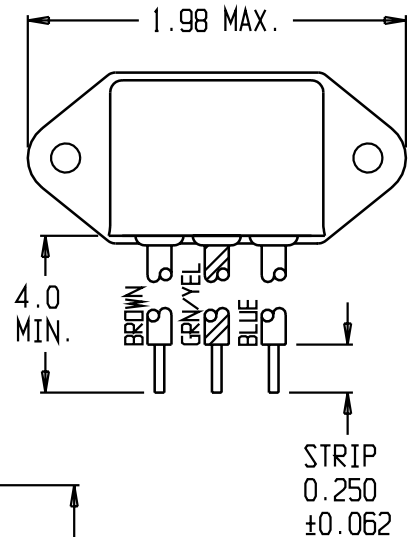
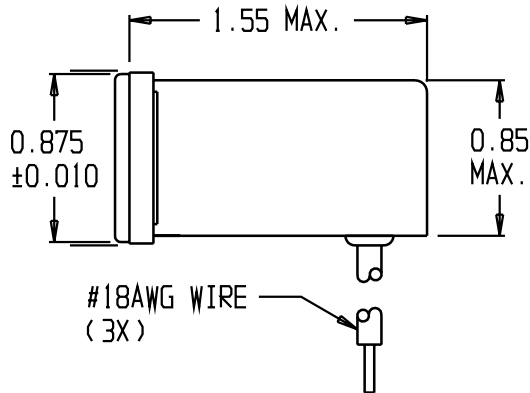
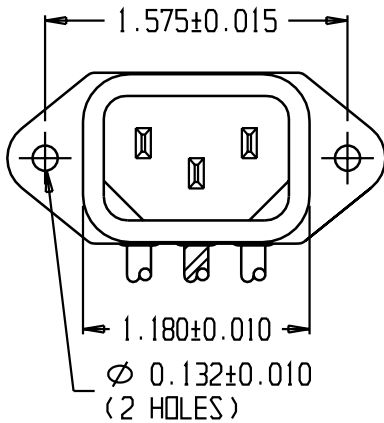
LINE TO GROUND: 1500VAC OR 2250VDC FOR 1 MINUTE
LINE TO LINE: 1450VDC FOR 1 MINUTE

FILTER APPROVAL:

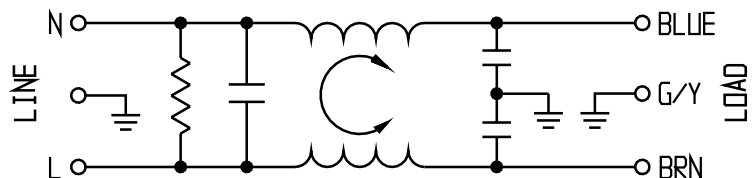
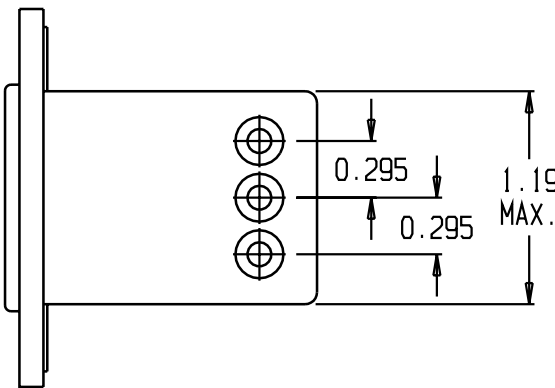
THE BEST WAY TO SELECT AND QUALIFY A FILTER IS FOR YOUR ENGINEERING TO TEST THE UNIT IN YOUR EQUIPMENT.

CATALOG # 3ED4

ECC #	APPRVD.	DATE
	KAW	21NOV06



PANEL CUTOUT (BACK MOUNT)
TOLERANCE ±0.005



50Ω - 50Ω (MINIMUM) INSERTION LOSS

FREQUENCY MHz	0.15	0.5	1.0	2.0	5.0	10	20	30				
COMMON dB	20	30	36	41	45	50	50	54				
DIFF. dB	3	15	20	30	37	37	37	36				

THIRD ANGLE PROJECTION

UNLESS OTHERWISE SPECIFIED,
TOLERANCE TO BE ±.025
MATERIAL & FINISH: AS SUPPLIED

tyco/Electronics **CORCOM**
620 S. BUTTERFIELD ROAD MUNDLEIGH IL 60060

CUSTOMER DRAWING 3ED4

This document is proprietary to CORCOM INC. and is not to be reproduced nor used for manufacturing purposes except on CORCOM'S prior written consent.

TYCO: 0-6609016-7		SCALE: NTS	DATE: 14AUG90	CATALOG NO.	REV.
DRW. BY: JF	ORIG: CW	3ED4			B