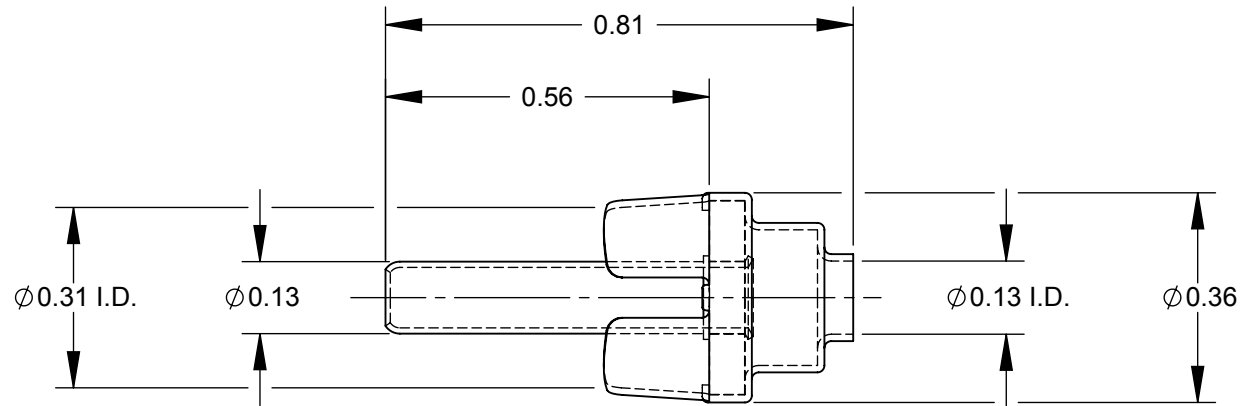
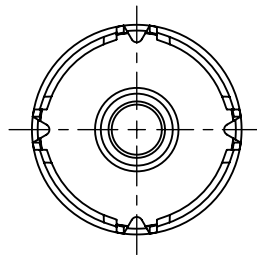
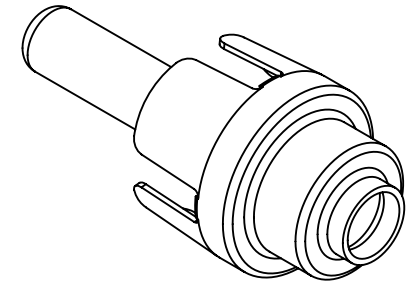


NOTES:

- MATERIALS:  
 PIN - BRASS, NICKEL PLATED  
 INSULATION WAFER, XXXP  
 SLEEVE - BRASS, NICKEL PLATED
- THIS PRODUCT IS RoHS COMPLIANT.



**CUSTOMER DRAWING**

|                               |  |            |      |    |  |       |              |           |        |     |
|-------------------------------|--|------------|------|----|--|-------|--------------|-----------|--------|-----|
|                               |  |            |      |    | THIS DRAWING DESCRIBES A DESIGN CONSIDERED PROPRIETARY IN NATURE, DEVELOPED AND MANUFACTURED BY SWITCHCRAFT INC. AND IS RELEASED ON A CONFIDENTIAL BASIS FOR IDENTIFICATION PURPOSES ONLY. |       |              |           |        |     |
|                               |  |            |      |    | SIZE   | WIDTH | MULT         | LBS/M     | TEMPER |     |
| UNLESS OTHERWISE SPECIFIED    |  |            |      |    | FINISH   |       |              | MATERIAL  |        |     |
| 1. ALL DIMENSIONS IN INCHES   |  |            |      |    | SEE NOTES  |       |              | SEE NOTES |        |     |
| - TWO PLACE DECIMALS ±0.02    |  |            |      |    | SPEC No.   |       |              | SPEC No.  |        |     |
| - THREE PLACE DECIMALS ±0.005 |  |            |      |    | FIRST USED ON  |       | SCALE        |           |        |     |
|                               |  |            |      |    |  |       | 3:1          |           |        |     |
| DATE DRAWN                    |  | BY         | CHKD |    | APVD   |       |              |           |        |     |
| 8-17-06                       |  | RF         | RF   |    | TJK  |       |              |           |        |     |
| REV                           |  | ECO NUMBER | DATE | BY | APVD   |       | SHEET 1 OF 1 |           |        |     |
| REVISIONS                     |  |            |      |    | NAME   |       |              | PART No.  |        | REV |
| DO NOT SCALE DRAWING          |  |            |      |    | PHONO PLUG   |       |              | 3501MX    |        | A   |
|                               |  |            |      |    | TWO CONDUCTOR, RoHS  |       |              |           |        |     |

SolidWorks CAD File

