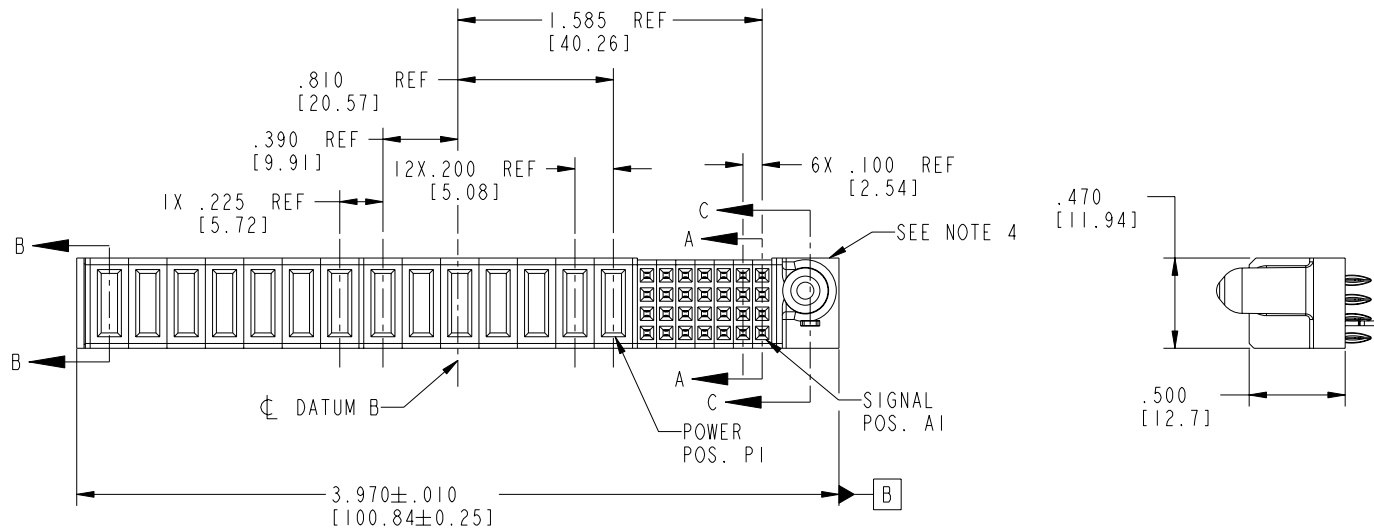


Tous droits strictement réservés. Reproduction ou communication a des tiers interdite sous quelque forme que ce soit sans autorisation écrite du propriétaire. Propriété de c FCI. Droits de reproduction FCI.

All rights strictly reserved. Reproduction or issue to third parties in any form whatever is not permitted without written authority from the proprietor. Property of FCI. Copyright FCI.



PRODUCT NO.	ROWS	POWER														SIGNAL					E1		
		P14	P13	P12	P11	P10	P9	P8	P7	P6	P5	P4	P3	P2	P1	7	6	5	4	3		2	1
51940-122-- NOTE: ③	D C B A	PF	PF	PF	PF	PF	PF	PF	PC	PC	PC	PC	PC	PC	PC	F	F	F	F	F	F	F	F
		PF	PF	PF	PF	PF	PF	PF	PC	PC	PC	PC	PC	PC	PC	F	F	F	F	F	F	F	F
		PF	PF	PF	PF	PF	PF	PF	PC	PC	PC	PC	PC	PC	PC	F	F	F	F	F	F	F	F
		PF	PF	PF	PF	PF	PF	PF	PC	PC	PC	PC	PC	PC	PC	F	F	F	F	F	F	F	F



CODE	DIM "M" MATING LENGTH	CONTACT TYPE
PC	.042 [1.07]	POWER
F	N/A [N/A]	SIGNAL
HA	N/A [N/A]	HOLD-DOWN
PF	.092 [2.34]	POWER

mat'l code				SEE NOTE 2		tolerances unless otherwise specified		CUSTOMER		 www.fciconnect.com	
ltr	ecn no.	dr	date	linear	.XX±.01/0.X±0.3		COPY		 INCH/MM	title	
A	DG05-0024	TAB	04/08/05		.XXX±.005/0.XX±0.13		projection			28S + 14P	
B	DG05-0146	GuoJM	06/09/05	angles	.XXX±.0020/0.XXX±0.051		 scale		VERTICAL PF RECEPT		
				dr	T.BRUNGARD	04/08/05	product family		PwrBlade	code	
				enrg	L.HAO	04/08/05	size		dwg no	213	
				chr	V.LIN	04/08/05	A		51940-122	sheet	
				appd	J.HSIA	04/08/05	1:1		1 of 4		
sheet index		revision sheet		B	B	B	B				
		1 2		3	4						

Pro/E

cage code 22526

PDM: Rev:B

STATUS: Released

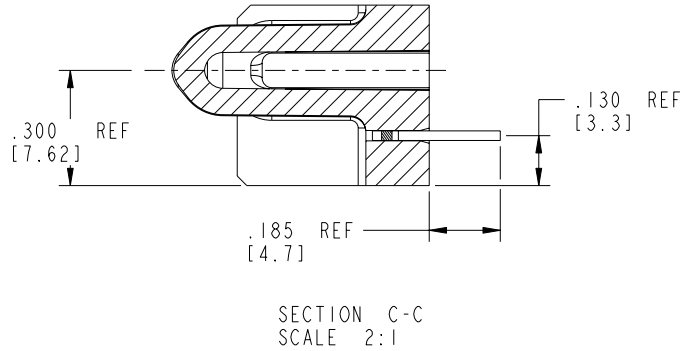
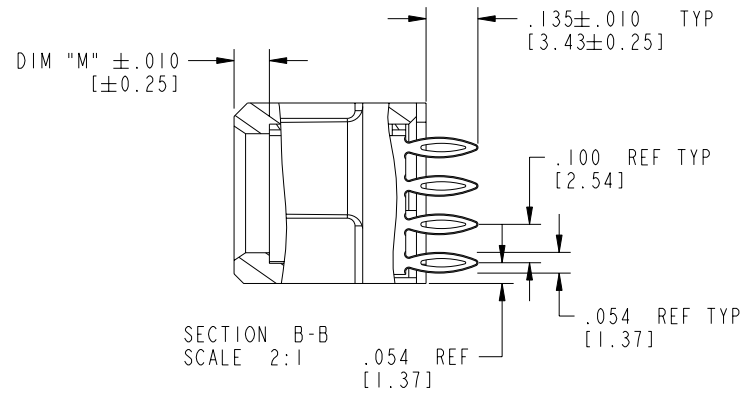
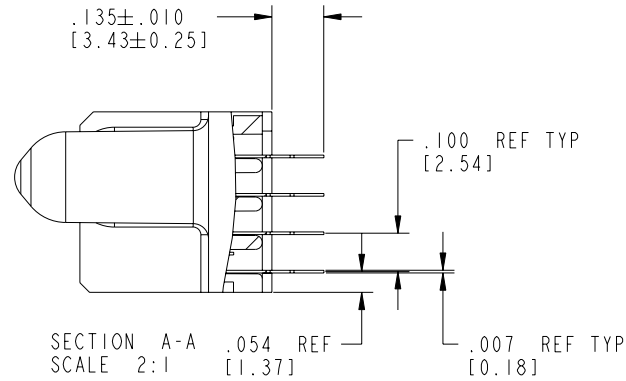
Printed: Dec 20, 2010


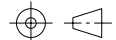
Tous droits strictement réservés. Reproduction ou communication a des tiers interdite sous quelque forme que ce soit sans autorisation écrite du propriétaire. Propriété de c FCI. Droits de reproduction FCI.

All rights strictly reserved. Reproduction or issue to third parties in any form whatever is not permitted without written authority from the proprietor. Property of FCI. Copyright FCI.

A
FCI

PRODUCT NUMBER
51940-122--
NOTE: ③



mat'l code				SEE NOTE 2		tolerances unless otherwise specified		CUSTOMER		 FCI www.fciconnect.com	
ltr	ecr no.	dr	date	linear	.XX±.01/0.X±0.3	projection	COPY		title		
B				angles	.XXX±.005/0.XX±0.13		INCH/MM		28S + 14P		
				dr	.XXX±.0020/0.XXX±0.051		scale		VERTICAL PF RECEPT		
				enr	T.BRUNGARD 04/08/05	1:1		product family		code	
				chr	L.HAO 04/08/05			PwrBlade		213	
				appd	V.LIN 04/08/05			size		sheet	
					J.HSIA 04/08/05			A 51940-122		2 of 4	
sheet index	revision sheet										

Pro/E

cage code 22526

PDM: Rev:B

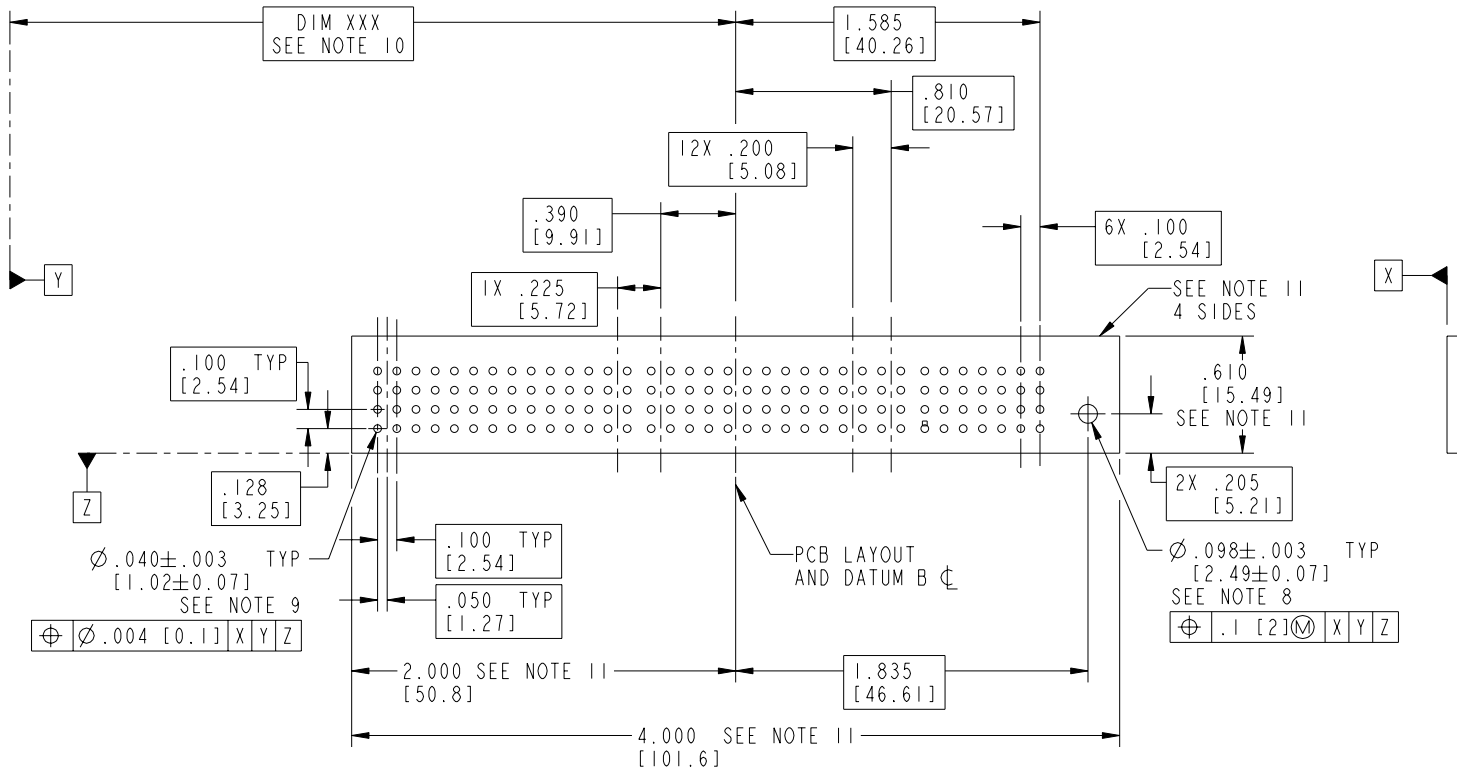
STATUS: **Released**

Printed: Dec 20, 2010

Tous droits strictement réservés. Reproduction ou communication a des tiers interdite sous quelque forme que ce soit sans autorisation écrite du propriétaire. Propriété de c FCI. Droits de reproduction FCI.

All rights strictly reserved. Reproduction or issue to third parties in any form whatever is not permitted without written authority from the proprietor. Property of FCI. Copyright FCI.

PRODUCT NUMBER
51940-122--
NOTE:③



mat'l code				SEE NOTE 2		tolerances unless otherwise specified		CUSTOMER		 www.fciconnect.com	
ltr	ecn no.	dr	date	linear	.XX±.01/0.X±0.3		COPY		title		
B					.XXX±.005/0.XX±0.13		projection		28S + 14P		
					.XXX±.0020/0.XXX±0.051				VERTICAL PF RECEPT		
				angles	0°±?		INCH/MM		product family		code
		dr	T.BRUNGARD	04/08/05	scale		1:1		PwrBlade		213
		engr	L.HAO	04/08/05					size		sheet
		chr	V.LIN	04/08/05					51940-122		3 of 4
		appd	J.HSIA	04/08/05							
sheet index	revision sheet										

cage code 22526

Pro/E

PDM: Rev:B

STATUS: Released

Printed: Dec 20, 2010

Tous droits strictement réservés. Reproduction ou communication a des tiers interdite sous quelque forme que ce soit sans autorisation écrite du propriétaire. Propriété de c FCI. Droits de reproduction FCI.

A
FCI

All rights strictly reserved. Reproduction or issue to third parties in any form, whatever is not permitted without written authority from the proprietor. Property of FCI. Copyright FCI.

A

B

PRODUCT NUMBER
51940-122--
NOTE:③

NOTES:

1. DIMENSIONS AND TOLERANCES ARE IN ACCORDANCE WITH ASME Y14.5M, 1994 UNLESS OTHERWISE SPECIFIED.

CONNECTOR NOTES:

② HOUSING MATERIAL: UL 94 V-0 GLASS FILLED
HIGH-TEMP THERMOPLASTIC
POWER CONTACT MATERIAL: COPPER ALLOY
SIGNAL PIN MATERIAL: COPPER ALLOY

3. PLATING:
51940-122 Singal Pin:30u"/0.76um Au OVER 50u"/1.27um Ni ON THE CONTACT AREA,
AND 100u"/2.54um SnPb PLATING OVER 50u"/1.27um Ni ON THE TERMINATION SECTION.
Power Pin:30u"/0.76um Au OVER 50u"/1.27um Ni ON THE CONTACT AREA,
AND 100u"/2.54um SnPb PLATING OVER 50u"/1.27um Ni ON THE TERMINATION SECTION.

51940-122LF Singal Pin:30u"/0.76um Au OVER 50u"/1.27um Ni ON THE CONTACT AREA,
AND 78u"/2.00um Sn PLATING OVER 50u"/1.27um Ni ON THE TERMINATION SECTION.
Power Pin:30u"/0.76um Au OVER 50u"/1.27um Ni ON THE CONTACT AREA,
AND 78u"/2.00um Sn PLATING OVER 50u"/1.27um Ni ON THE TERMINATION SECTION.

PART NUMBER 51940-122LF MEETS EUROPEAN UNION DIRECTIVE AND OTHER COUNTRY REGULATIONS AS DESCRIBED IN GS-22-008.

THE HOUSING WILL WITHSTAND EXPOSURE TO 260° PEAK TEMPERATURE FOR 10 SECONDS IN A WAVE SOLDER APPLICATION WITH A CIRCUIT BOARD.

④ MANUFACTURER'S NAME, P/N, AND DATE CODE TO APPEAR ON THIS SURFACE.

5. PRODUCT SPECIFICATION GS-12-149.
APPLICATION SPECIFICATION BUS-20-067.

6. PACKAGED IN TRAYS.

PCB NOTES:


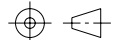
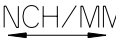
7. ALL HOLE DIAMETERS ARE FINISHED HOLE SIZE.

⑧ MOUNTING HOLES, WHERE APPLICABLE, ARE UNPLATED.

⑨ $\varnothing .0453 \pm .0010$ [1.151±0.025] DRILLED HOLES PLATED WITH
.0003 [0.008] MIN SnPb OVER .001 [0.03]
TO .003 [0.08] Cu PLATING TO ACHIEVE
 $\varnothing .040 \pm .003$ [1.02±.07] HOLE.

⑩ "DIM XXX" TO BE DETERMINED BY THE CUSTOMER.

⑪ CONNECTOR KEEP-OUT ZONE.

mat'l code				SEE NOTE 2		tolerances unless otherwise specified		CUSTOMER		 www.fciconnect.com	
ltr	ecn no.	dr	date	linear	.XX±.01/0.X±0.3		COPY		 title 28S + 14P VERTICAL PF RECEPT		
B					.XXX±.005/0.XXX±0.13		projection				
				angles	.XXX±.0020/0.XXX±0.051		 INCH/MM		product family PwrBlade code 213 size dwg no 51940-122 sheet 4 of 4		
					0°±?		scale 1:1				
		dr	T.BRUNGARD	04/08/05							
		enrg	L.HAO	04/08/05							
		chr	V.LIN	04/08/05							
		appd	J.HSIA	04/08/05							
sheet index	revision sheet										

1 | 2

3 |

4

1 | 2

Pro/E

3 |

cage code 22526

4