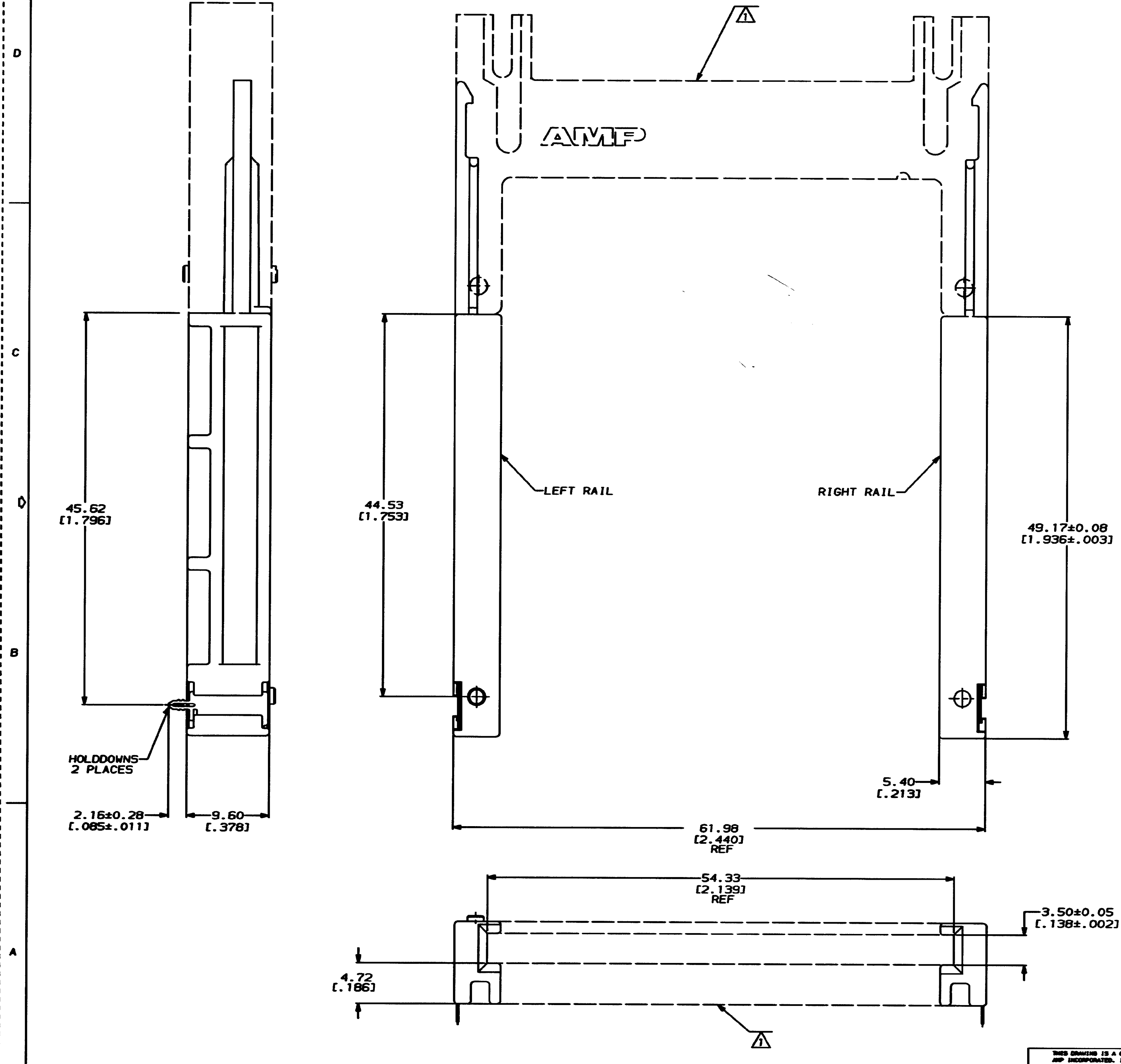
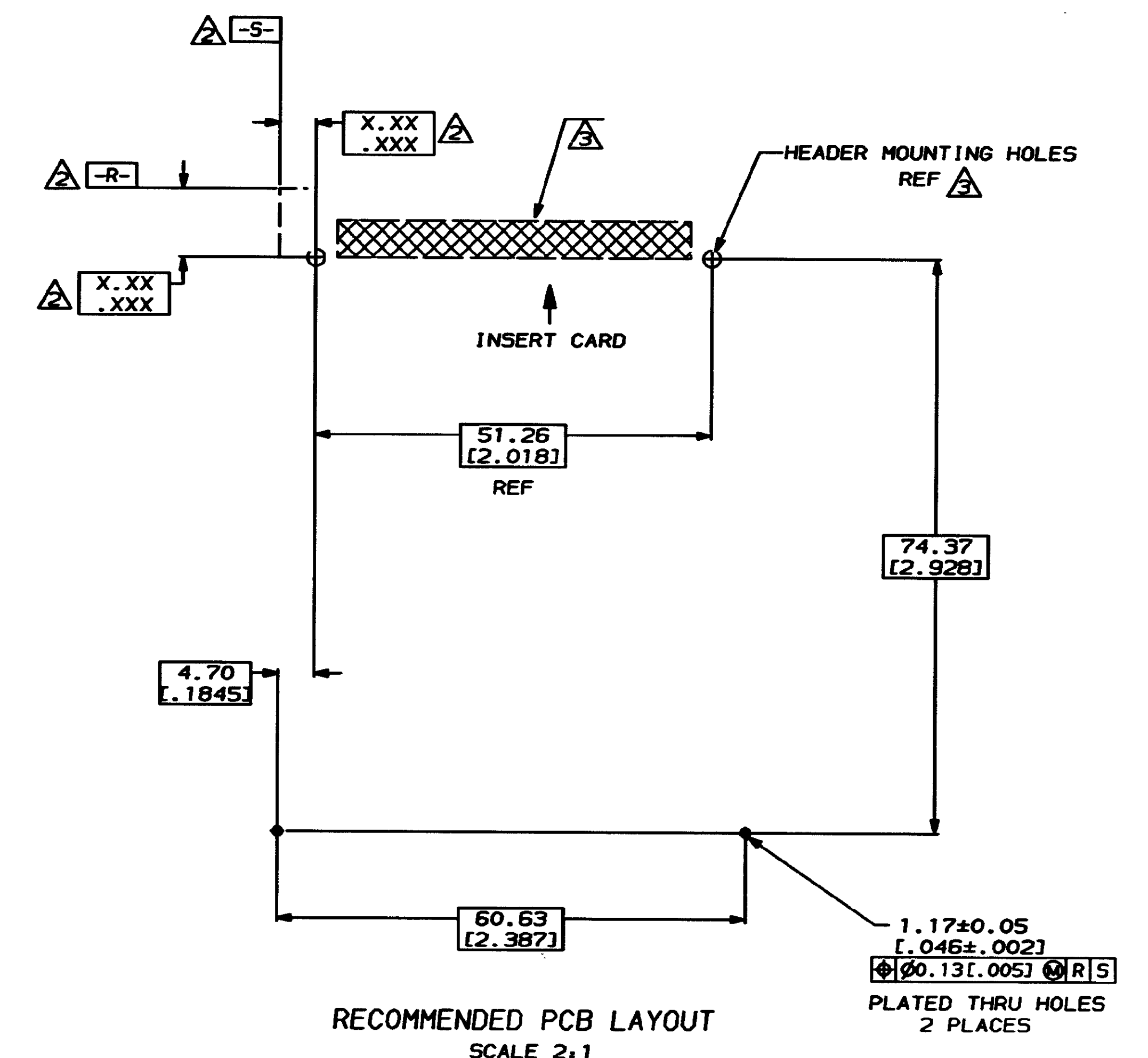


LIC		REV		ZONE		LTR		REVISIONS		DATE	APPD
AD	39							0	RELEASED PER PPR	3/8/93	BE



- ⚠ SMT OR THRU-HOLE HEADER ASSY NOT SUPPLIED AND MUST BE ORDERED SEPARATELY. CONTACT AMP INCORPORATED FOR HEADER PART NUMBER
- ⚠ DATUMS AND BASIC DIMENSIONS ESTABLISHED BY CUSTOMER
- ⚠ FOR HEADER PCB LAYOUT SEE APPROPRIATE HEADER ASSEMBLY



DESCRIPTION	PART NO
RIGHT GUIDE RAIL WITH HOLDDOWN	535661-2
LEFT GUIDE RAIL WITH HOLDDOWN	535661-1

DO NOT SCALE PRINT. UNLESS SPECIFIED DIMENSIONS IN mm (INCHES) TOLERANCES ON: 2 PLC DEC ±0.13 [.005] 3 PLC DEC ± - ANGLES ± -	DR 3/8/93 J ROSE	AMP AMP Incorporated Harrisburg, PA 17105-3608
RAIL: LCP - COLOR: BLACK HOLD DOWNS: PHOSPHOR BRONZE	CHK 3/8/93 B ELICKER	
FINISH HOLD DOWNS: TIN	APPD 3/8/93 B ELICKER	NAME GUIDE RAILS, RAISED, EXTENDED, WITH THRU-HOLE HOLDDOWNS, AMP MEMORY CARD
WEIGHT 2.6 GRAMS	APPD 3/8/93 B FLINCHBAUGH	SIZE CASE CODE DRAWING NO D 00779 C-535661
	APPLICATION SPEC	SCALE SHEET 4:1 1 OF 1

THIS DRAWING IS A CONTROLLED DOCUMENT FOR AMP INCORPORATED. IT IS SUBJECT TO CHANGE AND THE CONTROLLING ENGINEERING ORGANIZATION SHOULD BE CONTACTED FOR THE LATEST REVISION.