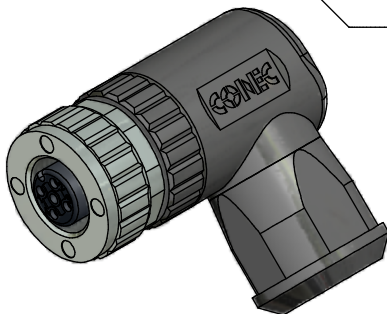
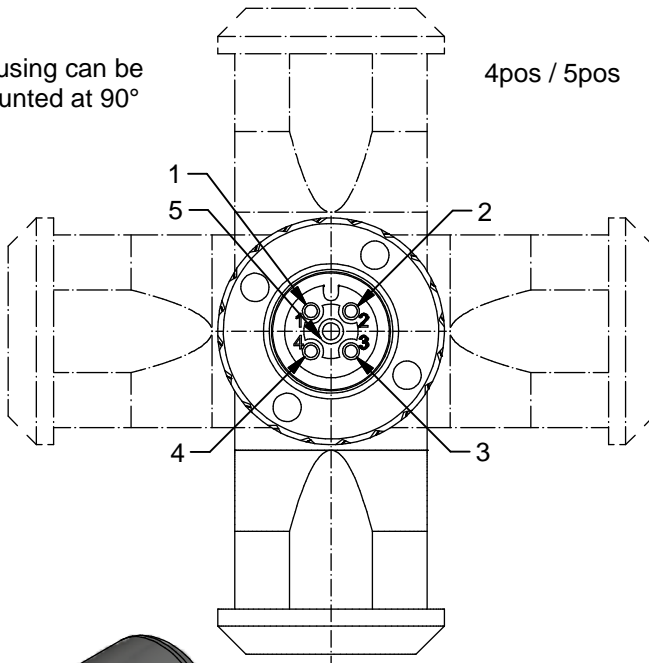


Housing can be mounted at 90°

4pos / 5pos



Technical specification:

Rated voltage: IEC 61076-2-101	4pos 250 V	5pos 60 V
Current rating: IEC 61076-2-101	4 A at 40°C	
Insulation resistance: IEC 60512	>=100 MΩ	
Pollution degree: IEC 60664-1	3/2	
Degree of protection: IEC 60529	IP 67, in mated condition	
Temperature range: IEC 60664-1	-30°C ... +85°C	
Mating cycles: IEC 60512-9a	>=100	
Wire cross section:	AWG20 / max. 0,5 mm²	

Materials:

Contact:	CuZn
Contact plating:	Nickel, gold plated
Contact carrier:	PA6, UL 94
Clamp contact:	Stainless steel
Cable sealing:	Elastomere
O-Ring:	FPM
Coupling nut:	GD-Zn, nickel plated
Housing:	PA6 GF, UL 94

Installation specification:

Recommended torque:	0,6 Nm
Conec installation tooling:	Torque wrench: 36-000200 Insert across flats 18: 36-000240

Part no:	Description:	Pos:	Cable-Ø:
43-00010	SAL - 12 - RKWC4 - K	4	4 - 8 mm
43-00012	SAL - 12 - RKWC5 - K	5	

title: **Female connector M12x1, field attachable, angled, with clamp connection**

dwg no: **43K2A028**

part no: **see table**

DO NOT ALTER CAD DRAWING BY HAND

Directive 2002/95/EC RoHS compliant

Index: b 21.09.11 VF Ä3769
Coupling nut modified, spanner flats added, data sheet modified, article with screw connection removed

dim. in mm

	date	name
drawn	21.09.11	Fromm
appd.	21.09.11	Schmidt

general tolerance: 0 ± 0,50mm
0,0 ± 0,25mm
0,00 ± 0,10mm

THIS DRAWING MAY NOT BE COPIED OR REPRODUCED IN ANY WAY, AND MAY NOT BE PASSED ON TO A THIRD PARTY WITHOUT WRITTEN PERMISSION. OWNERSHIP AND COPYRIGHT OF CONEC GmbH

