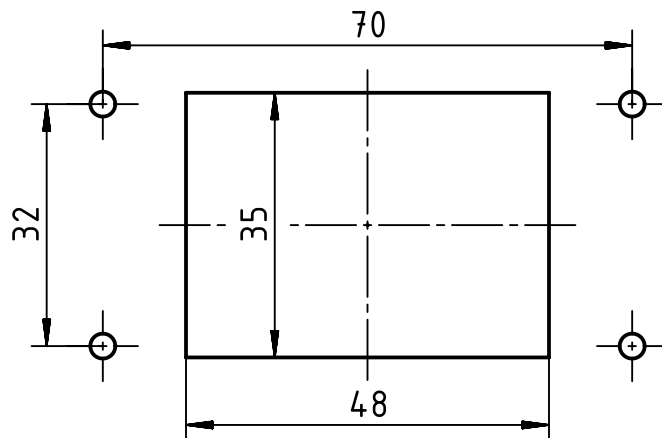



panel cut out



	All rights reserved Department EL PD - DE	All Dimensions in mm Original Size DIN A4		Scale 1:1	Free size tol.	Ref.
		HARTING Electric GmbH & Co. KG D-32339 Espelkamp	Created by PRIESTER	Inspected by SCHNIEDER	Standardisation SCHMIDTM	Date 2014-04-16
Title Han EMC/B 6 Base Panel						Doc-Key / ECM-Nr. 100179933/UGD/004/A 500000073903
Type TB				Number 09 62 806 0301		Rev. A
						Page 1/1