

4

3

2

1

THIS DRAWING IS UNPUBLISHED.

RELEASED FOR PUBLICATION

OCT ,2005.

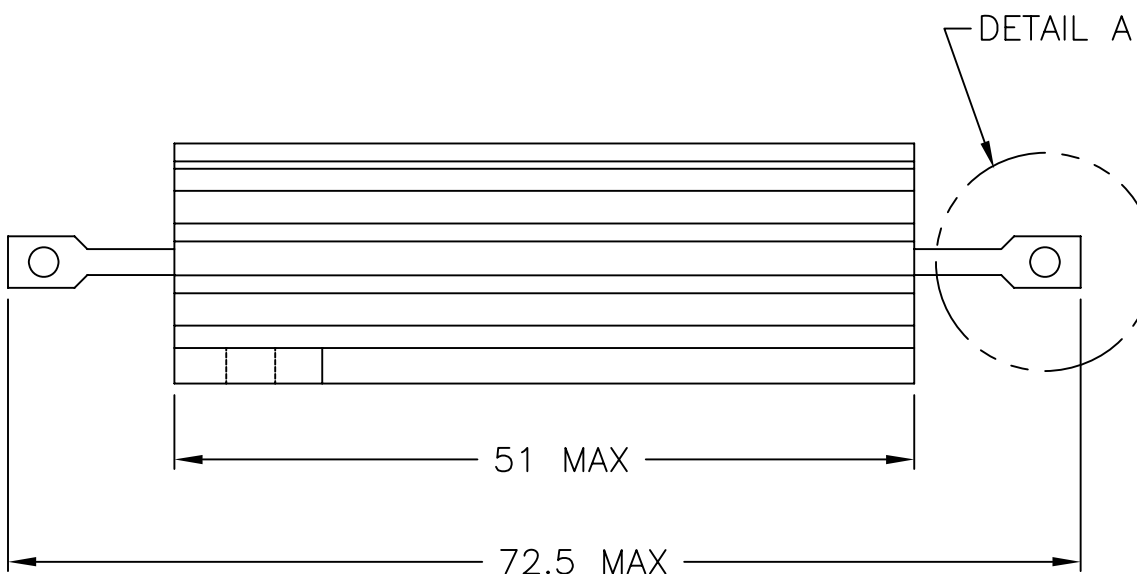
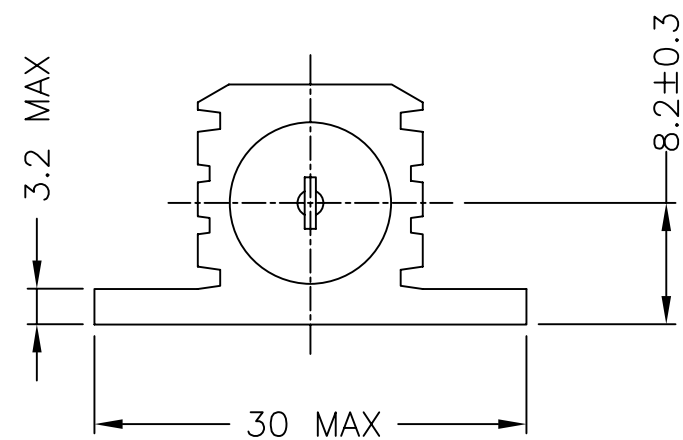
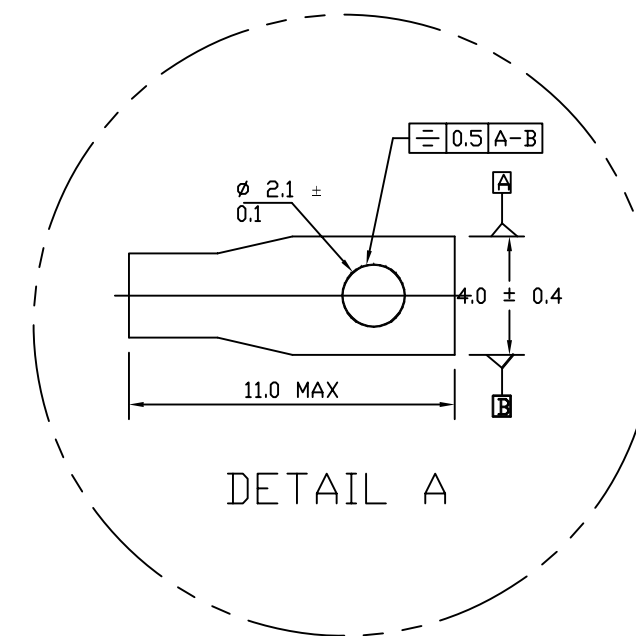
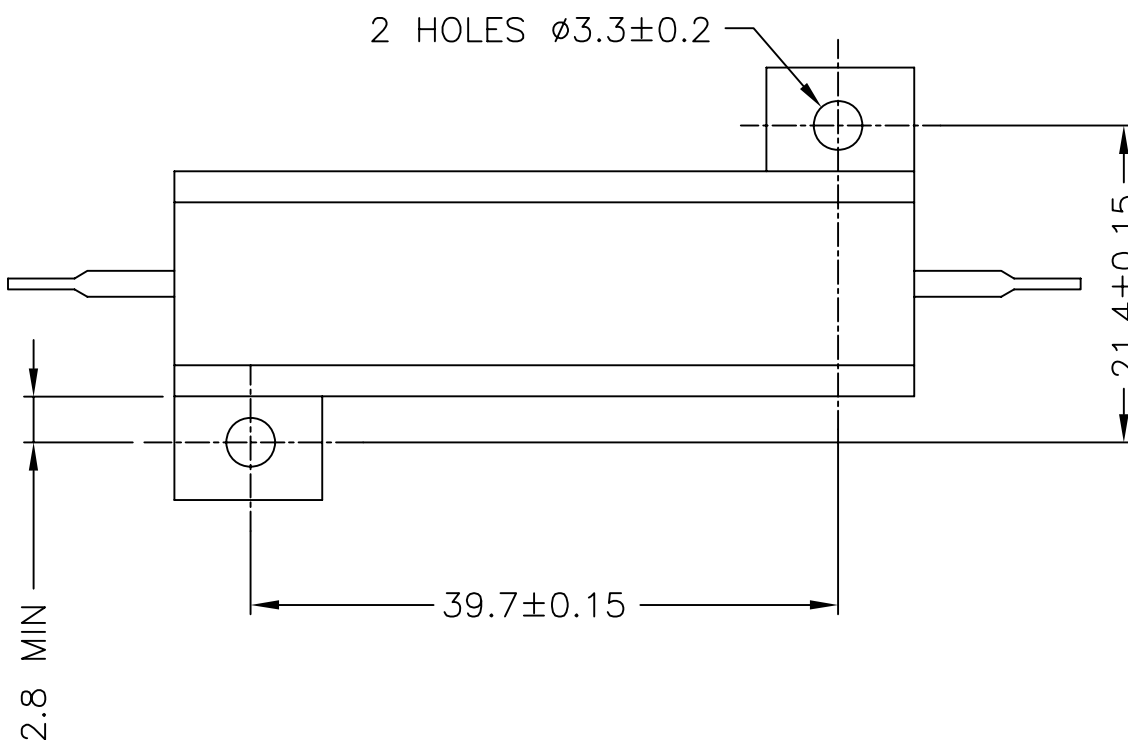
© COPYRIGHT 2005 BY TYCO ELECTRONICS CORPORATION. ALL RIGHTS RESERVED.

LOC	DIST	REVISIONS					
		P	LTR	DESCRIPTION	DATE	DWN	APVD
E	B		C	ECR-06-014280	13JUN06	DK	JC

TECHNICAL SPECIFICATION

DISSIPATION AT 25°C	50 WATTS MOUNTED ON STANDARD HEATSINK
BS OHMIC RANGE	R051 TO 72 K
STABILITY	ΔR<= 1% PER 1000 HRS
ISOLATION VOLTAGE	2500V DC/AC PK
MAX WORKING VOLTAGE	1250V DC/AC RMS
TEMP COEFFICIENT	>1R0 50PPM
	>100R 25PPM
CLIMATIC CATEGORY	55/200/56

FOR FURTHER INFORMATION SEE DATA SHEET FOR HS SERIES ALUMINIUM HOUSED RESISTOR



FOR A SPECIFIC PN FOR A RESISTANCE VALUE AND TOLERANCE, PLEASE REFER TO DMF.

RoHS Compliant

THIS DRAWING IS A CONTROLLED DOCUMENT.		DWN DAVE KENNEDY 22SEP2005	Tyco Electronics Corporation Dorcan, Swindon, SN3 5HH	
DIMENSIONS: MM		CHK J CATCHPOLE 23SEP05	NAME KHSA50	
TOLERANCES UNLESS OTHERWISE SPECIFIED:		APVD J CATCHPOLE 23SEP05	SIZE A3	
0 PLC ± -		PRODUCT SPEC	CAGE CODE 00779	DRAWING NO C=1625986
1 PLC ± -		APPLICATION SPEC	RESTRICTED TO	
2 PLC ± -			-	
3 PLC ± -		WEIGHT	-	
4 PLC ± -			-	
ANGLES ± -		CUSTOMER DRAWING		
MATERIAL		SCALE NTS		
FINISH		SHEET 1 OF 1		
		REV C		