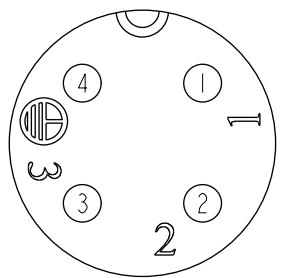
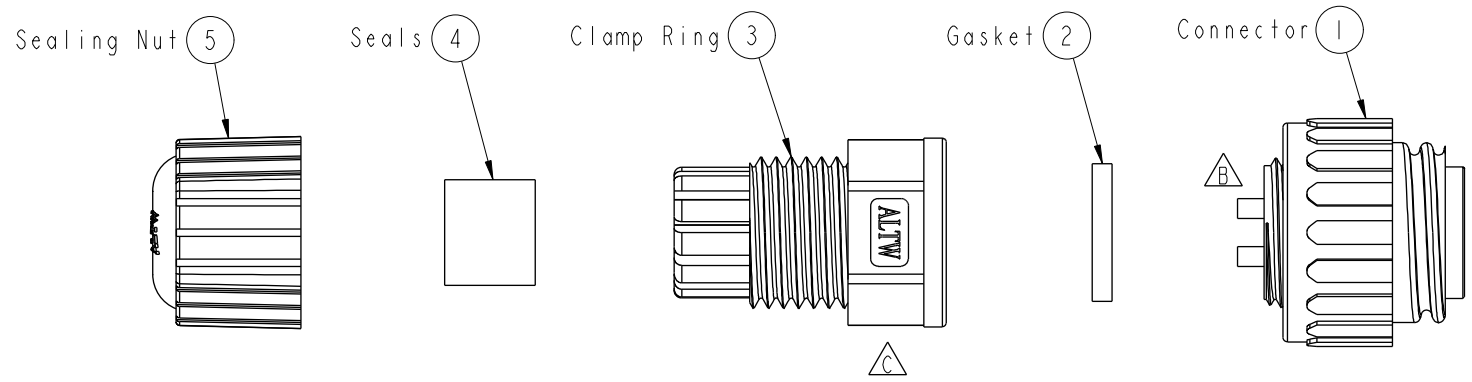
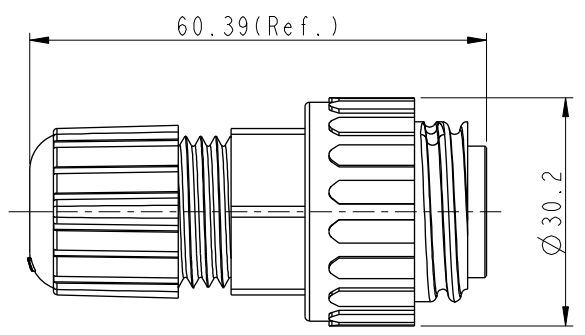


THIS DOCUMENT IS SUBJECT TO CHANGE WITHOUT NOTICE. IT IS CONFIDENTIAL AND A PROPERTY OF AMPHENOL LTW. DISCLOSURE TO THIRD PARTY HAS TO BE AUTHORIZED BY AMPHENOL LTW.

REV.	ECN NO.	DATE	SIGN	DESCRIPTION
B	LEN-810065	2008/01/15	Zeus	Change Drawing Detail
C	LEN1741295	2017/04/19	Vicky	Update Logo



Pin Assignments
Front View



- Note:
- * \varnothing Important Dimension
 - * Waterproof Rate: IP67
 - * Seals for Cable OD: $\varnothing 5.5\text{mm} \sim \varnothing 10.8\text{mm}$
(防水墊圈限用線徑: $\varnothing 5.5\text{mm} \sim \varnothing 10.8\text{mm}$)
 - * One Set Unassembled in One LTW Sealed Bag
(每一組未組裝, 放置於一個 Amphenol LTW 封口袋)
 - * Housing: Nylon+GF, Black
 - * Male Pin: Copper Alloy, Gold Plated
 - * Screw Nut: Nylon+GF, Black
 - * Gasket: Silicone, Black
 - * Clamp Ring: Nylon, Black
 - * Seals: EPDM, Black
 - * Sealing Nut: Nylon, Black
 - * Liquid Glud :Claer

UNIT:mm		
TOLERANCE		
.X	± 0.25	
.XX	± 0.1	
.XXX	± 0.05	
ANGLES	$\pm 1^\circ$	

TITLE Power Assy Screw 4Pin M Conn M Pin			
SCALE 1:1	SIZE A4	SHEET 1 OF 1	
REV. C	WC-REV. A.3	\varnothing : Inspection item	

Amphenol LTW
安費諾亮泰企業股份有限公司

ITEM NO PWF-04BMMA-SL7001	DRAWN BY Vicky	DATE 2017-04-19
DWG NO PWF-04BMMA-SL7001	CHECKED BY Rita	DATE 2017-04-19
CUSTOMER ALTW	APPROVED BY Max	DATE 2017-04-19