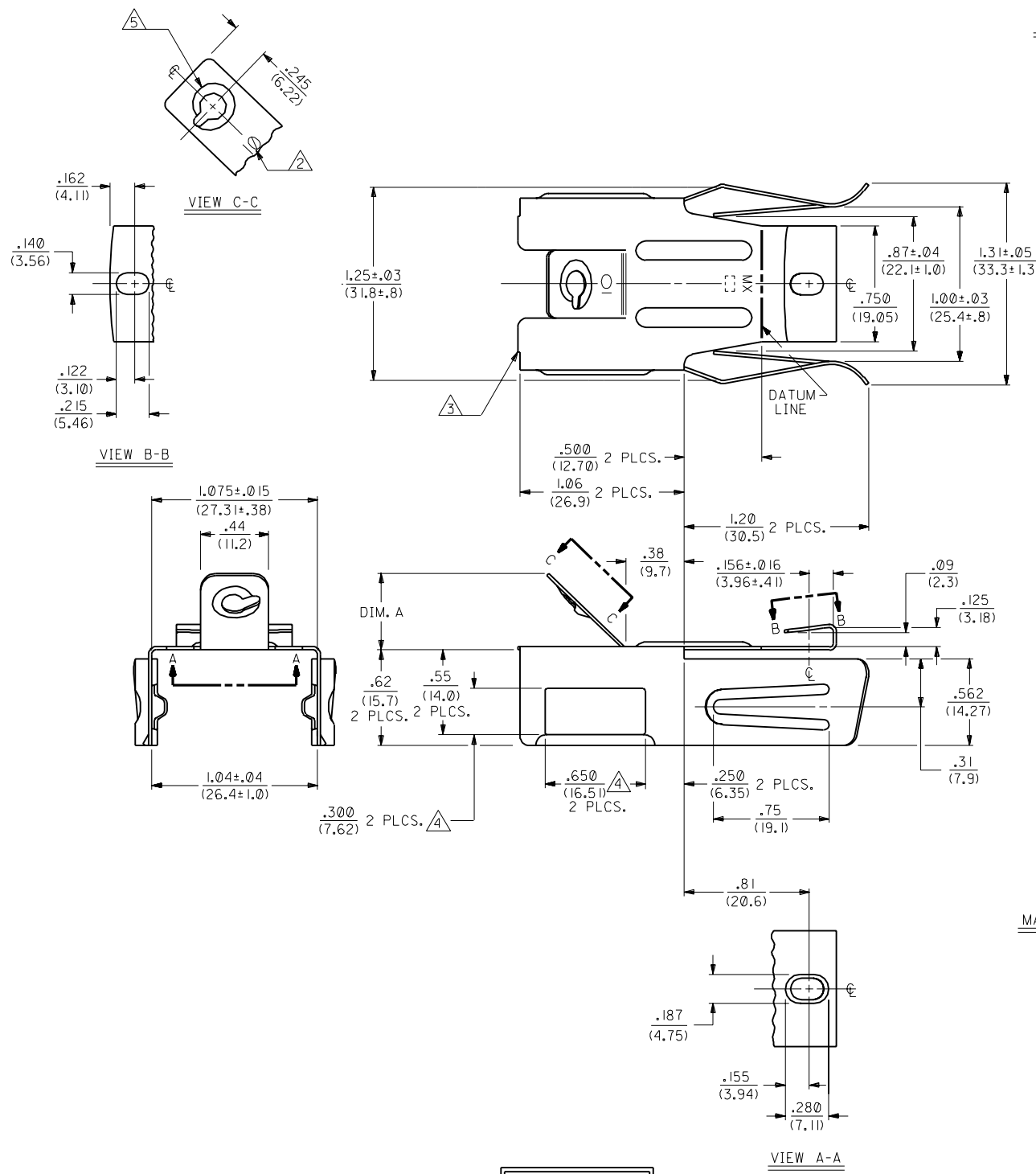


NOTES:

- 1. THESE MOUNTING CLIPS ARE FOR HOLDING THE 2481 SERIES HOUSINGS TO THE MAIN PANEL TOPS OF ELECTRIC RANGES.
- 2. SCREW SIZE INDICATION.
- 3. .015/(.38) MAXIMUM CUT OFF.
- 4. .010/(.25) MAXIMUM MISMATCH.
- 5. THREAD FORM FOR A #10-32 SCREW.
- 6. THIS SURFACE MAY BE FORMED IN THIS DIRECTION A MAXIMUM OF 5°.



2589-ID-10

MATERIAL:

STEEL, STAINLESS, TYPE 301, .020/(.5) THICK.

AC	OBSOLETED P/N	UCR2002-0255	01/9/12	COMERCI
AB2	REMOVED NOTCH	UCR2000-0104	8/11/99	COMERCI
AB1	REV. RADII	UCR2000-0086	8/05/99	COMERCI
AB	REVISED	UCR 1999-0818	6/03/99	ELHAG
AA	REVISED	ECN U4 0744	6/16/94	RHR
Z	REVISED	ECN U4 0213	2/14/94	RHR
Y	REVISED	ECN U3 0739	5/13/93	RHR
X	REDRAWN & REDIM.	ECN U2 1712	11/25/92	RHR
I	AC			
2	Z			
3	AB			

DIMENSIONS SHOWN (METRIC) INCH		UNLESS OTHERWISE SPECIFIED TOLERANCES ANGULAR ± DMS 5°	
3 PLACE ± .010	---	---	---
2 PLACE ± .014	± 0.25		
1 PLACE ---	± 0.35		
DRAFT WHERE APPLICABLE MUST REMAIN WITHIN DIMENSIONS			
DRWG. BY: RHR	CHK'D. BY: ESS	FILE NAME: SD2589X1	DRWG. NO.:
APP'D. BY: RAS	SCALE: 2: 1	DATE: 11/20/92	REV.:
SEE SHEET 3		SD-2589-*	
THIS DRAWING CONTAINS INFORMATION THAT IS PROPRIETARY TO MOLEX INC. AND SHOULD NOT BE USED WITHOUT WRITTEN PERMISSION.			

REVISIONS

MFG. SH. REV. LTR. REVISIONS

3 AB

2 Z

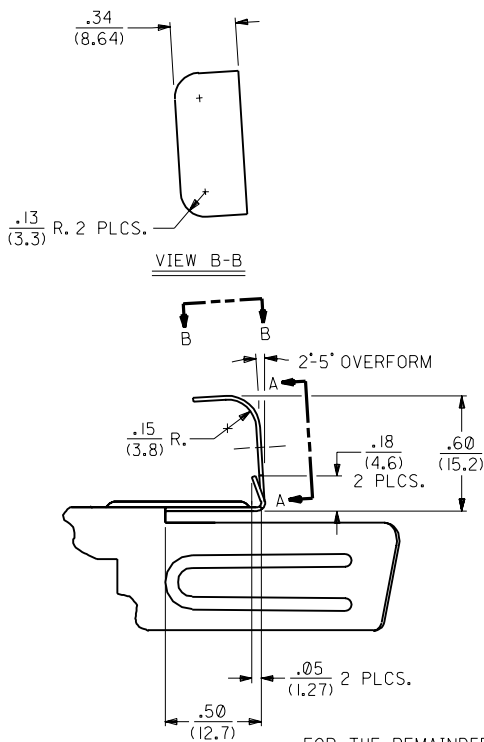
1 AC X

REVISIONS

NO P.S.

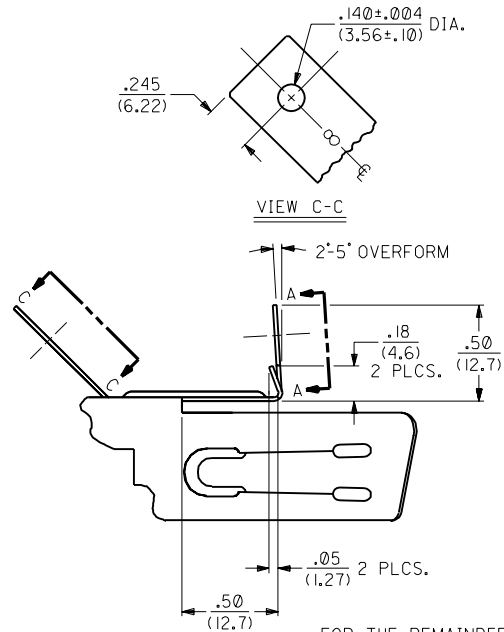
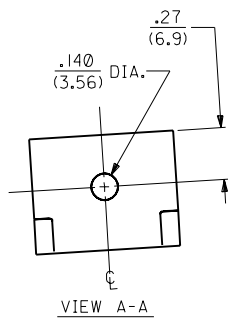


PART NO.	ENG. NO.	DIMENSION	
		A	
089-00-2006	2589-ID-10	.48±.025 (12.2±.64)	
089-00-2022	2589-2C	.53±.025 (13.5±.64)	
089-00-2025	2589-2H	.656±.025 (16.66±.64)	
089-00-2027	2589-2J-10	.562±.025 (14.27±.64)	
089-00-2041	2589-3B	.48±.025 (12.2±.64)	
089-00-2047	2589-6F	.375±.015 (9.53±.38)	
089-00-2100	2589-10C	.48±.025 (12.2±.64)	
089-00-2101	2589-21A	.62±.025 (15.7±.64)	<b>OBSOLETE</b>
089-00-2103	2589-23	.62±.025 (15.7±.64)	



FOR THE REMAINDER  
OF DIMENSIONS AND  
DETAILS SEE SHEET I

**2589-23**



FOR THE REMAINDER  
OF DIMENSIONS AND  
DETAILS SEE SHEET I

**2589-21A** **OBSOLETE**

LTR.		REVISIONS		LTR.		REVISIONS	
		AA	SEE SHEET I				
		Z	SEE SHEET I				
AB	SEE SHEET I	X	SEE SHEET I				

DIMENSIONS SHOWN (METRIC) INCH		▽ = 0 ▼ = 0		REVISE ONLY ON CAD SYSTEM	
UNLESS OTHERWISE SPECIFIED TOLERANCES: ANGULAR ± .5°		TITLE		MOUNTING CLIP	
3 PLACE ± .010		INCH		METRIC	
2 PLACE ± .014 ± 0.25		---		---	
1 PLACE --- ± 0.35		---		---	
DRAFT WHERE APPLICABLE MUST REMAIN WITHIN DIMENSIONS					
DRWG. BY	RHR	CHK'D. BY	ESS	FILE NAME	
APP'D. BY	RAS	SCALE	2: 1	SD2589X3	
MFG. SH. REV.		PART NO.		DRWG. NO.	
		SEE CHART		SD-2589-*	
MOLEX INCORPORATED		SHEET NO. 3		DATE 2/24/93	
L15LEJLL 69532 U.S.A.					
THIS DRAWING CONTAINS INFORMATION THAT IS PROPRIETARY TO MOLEX INC. AND SHOULD NOT BE USED WITHOUT WRITTEN PERMISSION.		DIV. CP		SIZE C	