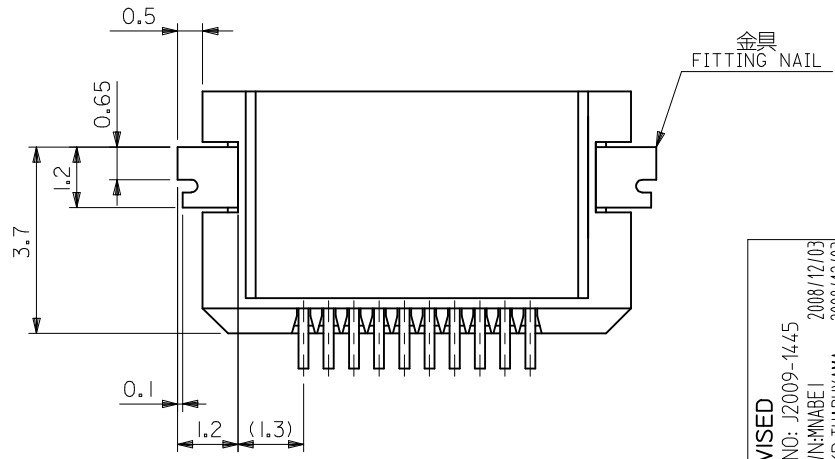
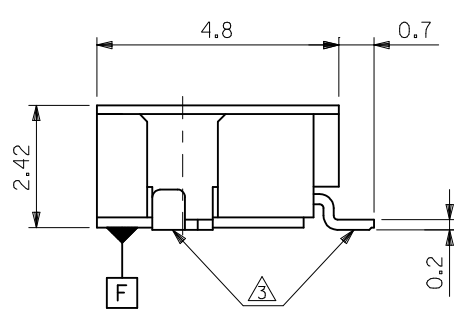
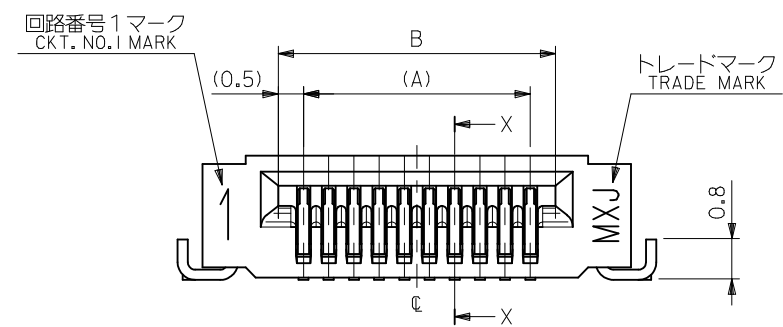


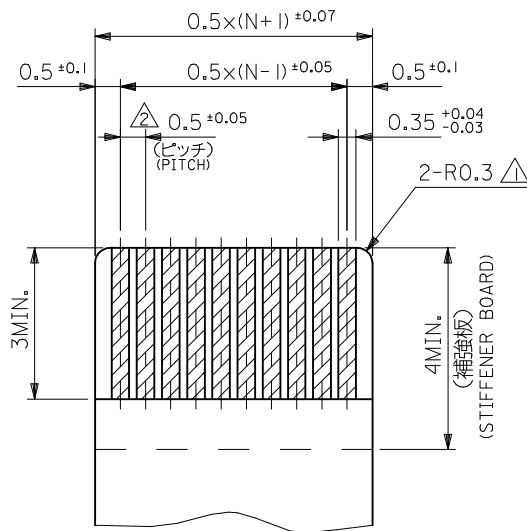
注記 NOTES

- 材質 MATERIAL
 ハウジング: PPS, UL94V-0
 HOUSING: PPS, UL94V-0
 ターミナル: リン青銅 (t=0.2)、ニッケル下地 錫ビスマスメッキ
 TERMINAL: PHOS-BRO.(t=0.2), TIN-BIMUSTH OVER NICKEL PLATING
 金具: リン青銅 (t=0.2)、ニッケル下地 錫メッキ
 FITTING NAIL: PHOS-BRO.(t=0.2), TIN OVER NICKEL PLATING
 HARF BRIGHT PLATING
 △ 偶数極に適用。
 APPLY FOR EVEN CIRCUIT.
 △ ソルダテール半田付け面及び金具半田付け面のズレ量は、基準面 F に対し、上方向 0.1 MAX. 下方向 0.15 MAX. とする。
 MISALIGNMENT OF SOLDER TAILS AND FITTING NAILS FROM F : UPPER DIRECTION 0.1 MAX. : LOWER DIRECTION 0.15 MAX.
- 本製品は 52976-**-40 の鉛フリー品である。
 THIS PRODUCT IS LEAD FREE OF 52976-**-40

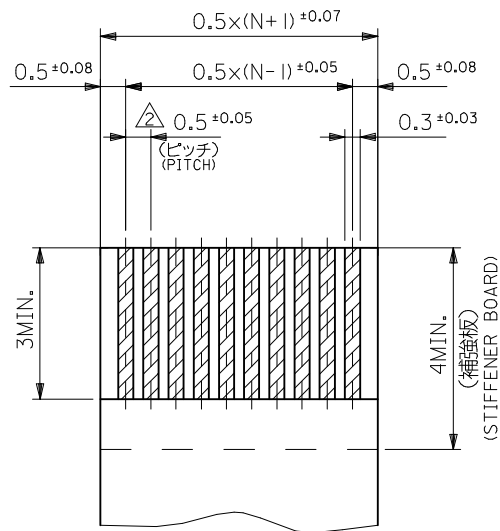


18.5	15.5	14.5	52976-3072	52976-3049	30
15.5	12.5	11.5	-2472	-2449	24
14.0	11.0	10.0	-2172	-2149	21
13.0	10.0	9.0	-1972	-1949	19
12.5	9.5	8.5	-1872	-1849	18
12.0	9.0	8.0	-1772	-1749	17
11.5	8.5	7.5	-1672	-1649	16
11.0	8.0	7.0	-1572	-1549	15
10.5	7.5	6.5	-1472	-1449	14
9.5	6.5	5.5	-1272	-1249	12
8.5	5.5	4.5	-1072	-1049	10
8.0	5.0	4.0	-0972	-0949	9
7.5	4.5	3.5	-0872	-0849	8
6.5	3.5	2.5	52976-0672	52976-0649	6

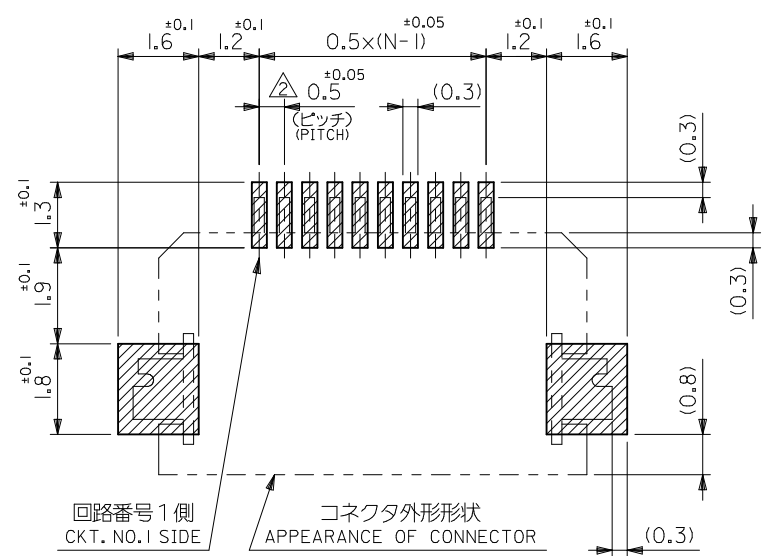
REVISED		EC NO: J2009-1445		2008/12/03		2008/12/03		2008/12/03		52976-**-49		MODEL NO.	
DRWN:MMABEI		CHKD:THARUYAMA		APPR:NIKI ITA		DIMENSION STYLE		SCALE		DESIGN UNITS		THIRD ANGLE PROJECTION	
GENERAL TOLERANCES (UNLESS SPECIFIED)		MM ONLY		DRAWN BY		DATE		TITLE		EMBOSSED TAPE PKG.		MATERIAL NO.	
10 UNDER ±0.2		10 OVER 30 UNDER ±0.25		30 OVER ±0.3		ANGULAR ±3 °		DRAFT WHERE APPLICABLE MUST REMAIN WITHIN DIMENSIONS		DRAWN BY HSHIMABUKURO		DATE '04/03/01	
CHECKED BY K. TOJO		DATE '04/03/01		APPROVED BY M. SASAO		DATE '04/03/01		MOLEX MOLEX INCORPORATED		ORDER No. オーダー番号		極数 NO. OF CKT.	
SEE TABLE		SIZE A3		THIS DRAWING CONTAINS INFORMATION THAT IS PROPRIETARY TO MOLEX INCORPORATED AND SHOULD NOT BE USED WITHOUT WRITTEN PERMISSION		DOCUMENT NO. SD-52976-010		SHEET NO. 1 OF 2					



適合FPC推奨寸法
 APPLICABLE FPC
 RECOMMENDED DIMENSION
 (仕上がり厚さ: 0.3±0.03)
 (THICKNESS : 0.3±0.03)



適合FFC推奨寸法
 APPLICABLE FFC
 RECOMMENDED DIMENSION
 (仕上がり厚さ: 0.3±0.03)
 (THICKNESS : 0.3±0.03)



参考基板レイアウト
 REFERENCE P.C.BOARD
 PATTERN DIMENSION
 (マウント面)
 (MOUNTING SIDE)

注記 NOTES

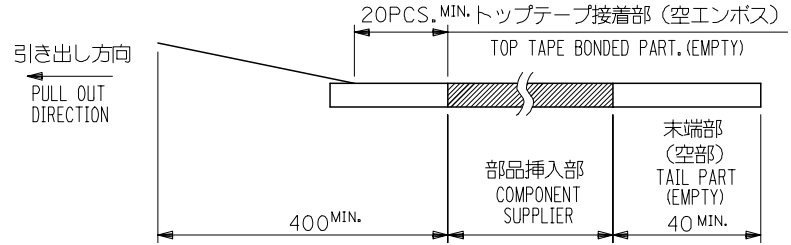
- △ R0.3 は、FPCの導体部にかからないこと。
 R0.3 MUST NOT BE OVERLAPPED TO PATTERN OF FPC.
 - △ 公差非累積のこと。
 NON-ACCUMULATIVE.
 - 3. FPCについて:
 打抜き方向は導体側から補強板を推奨致します。
 補強フィルム材質はポリイミドを推奨致します。
 接着剤は熱硬化接着剤を推奨致します。
- ABOUT FPC:
 RECOMMENDED PUNCHER DIRECTION : FROM CONDUCTOR SIDE TO STIFFENER BOARD SIDE.
 RECOMMENDED MATERIAL :
 STIFFENER FILM : POLYIMIDE
 BONDING AGENT : THERMOSETTING BONDING AGENT

52976-***49 MODEL NO.

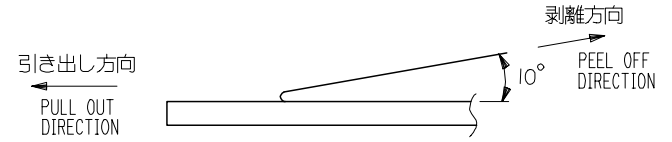
REVISED EC NO: J2009-1445 DRWN:MMABEI 2008/12/03 CHKD:THARUYAMA 2008/12/03 APPR:NUKITA 2008/12/03	DESCRIPTION	GENERAL TOLERANCES (UNLESS SPECIFIED)		DIMENSION STYLE MM ONLY		SCALE ---	DESIGN UNITS METRIC	THIRD ANGLE PROJECTION	
		10 UNDER	±0.2	DRAWN BY HSHIMABUKURO	DATE '04/03/01	TITLE 0.5 FFC/FPC CONN NON-ZIF HSG ASSY(BOTTOM CONTACT) -LEAD FREE-			
		10 OVER 30 UNDER	±0.25	CHECKED BY K. TOJO	DATE '04/03/01	MOLEX INCORPORATED			
		30 OVER	±0.3	APPROVED BY M. SASAO	DATE '04/03/01				
ANGULAR ±3 °		DRAFT WHERE APPLICABLE MUST REMAIN WITHIN DIMENSIONS		MATERIAL NO. SEE SHEET 1		DOCUMENT NO. SD-52976-010		SHEET NO. 2 OF 2	
REV B		THIS DRAWING CONTAINS INFORMATION THAT IS PROPRIETARY TO MOLEX INCORPORATED AND SHOULD NOT BE USED WITHOUT WRITTEN PERMISSION							

NOTES

1. 梱包数量：1000個/リール
NUMBER OF CONNECTORS : 1000PCS/REEL
2. リードテープ長さ LEAD TAPE LENGTH

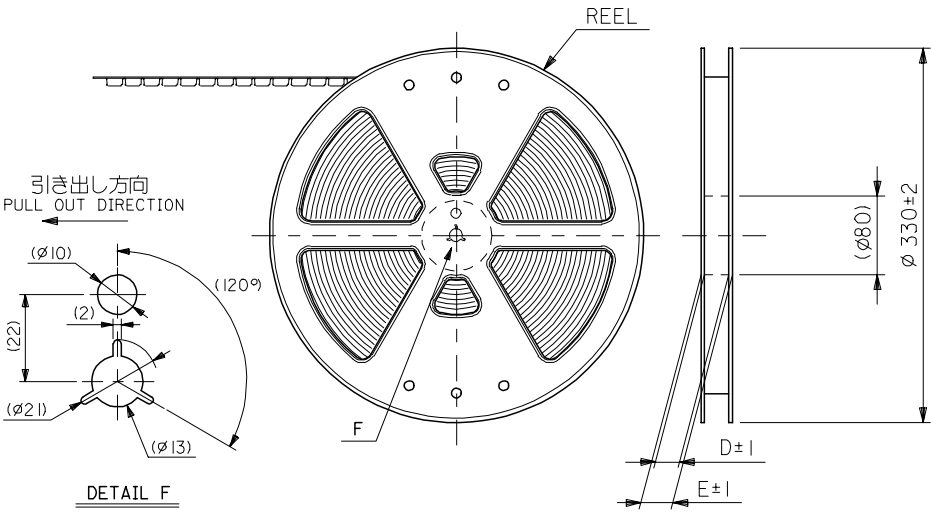


3. トップテープの剥離強度：0.1N ~ 1.3N(10gf ~ 130gf)
(剥離方向は下図参照)
尚、本規格値は出荷時に適用。(但し、輸送時に剥離が発生しないこと。)
PEELING OFF FORCE OF TOP TAPE : 0.1N ~ 1.3N(10gf ~ 130gf)
(PEELING DIRECTION AS SHOWN IN FOLLOWING FIG.)
THIS REQUIREMENT SHOULD BE APPLIED AT SHIPMENT.
PEEL OFF SHOULD NOT BE ALLOWED , DURING TRANSPORTATION.



4. 材料 キャリアテープ：ポリプロピレン (PP)
トップテープ：PET, PE, PEF
リール：ポリスチレン (PS) <リサイクル材を含む>
MATERIAL CARRIER TAPE:POLYPROPYLENE
TOP TAPE:PET,PE,PEF
REEL:POLYSTYREN(PS)
<RECYCLE MATERIAL CONTAINED>

5. 本製品は 52976-**-92 の給フリー品である。
THIS PRODUCT IS LEAD FREE OF 52976-**-92



DETAIL F

52976-**-72 MODEL NO.

REVISED EC NO: J2008-1372 DRW:HYAJIMA 2007/10/23 CHKD:THARUYAMA 2007/10/23 APPR:NUKITA 2007/10/23	GENERAL TOLERANCES (UNLESS SPECIFIED)		DIMENSION STYLE MM ONLY		SCALE ---	DESIGN UNITS METRIC	THIRD ANGLE PROJECTION	
	10 UNDER	±0.2	DRAWN BY DATE H. SHIMABUKUR 2004/03/01		TITLE 0.5 FPC CONN NON ZIF HOUSING ASSY EMBSTP PKG -LEAD FREE-			
	10 OVER 30 UNDER	±0.25	CHECKED BY DATE K. TOJO 2004/03/01					
	30 OVER	±0.3	APPROVED BY DATE M. SASAO 2004/03/01		MOLEX INCORPORATED			
	ANGULAR	±3 °	MATERIAL NO.		DOCUMENT NO.		SHEET NO.	
DRAFT WHERE APPLICABLE MUST REMAIN WITHIN DIMENSIONS		SEE SHEET 2		SD-52976-011		1 OF 2		
SIZE A3 THIS DRAWING CONTAINS INFORMATION THAT IS PROPRIETARY TO MOLEX INCORPORATED AND SHOULD NOT BE USED WITHOUT WRITTEN PERMISSION								

F

E

D

C

B

A

F

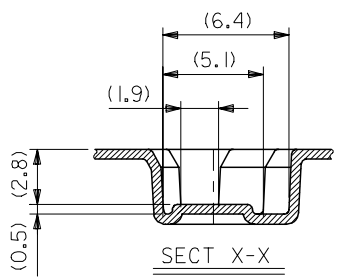
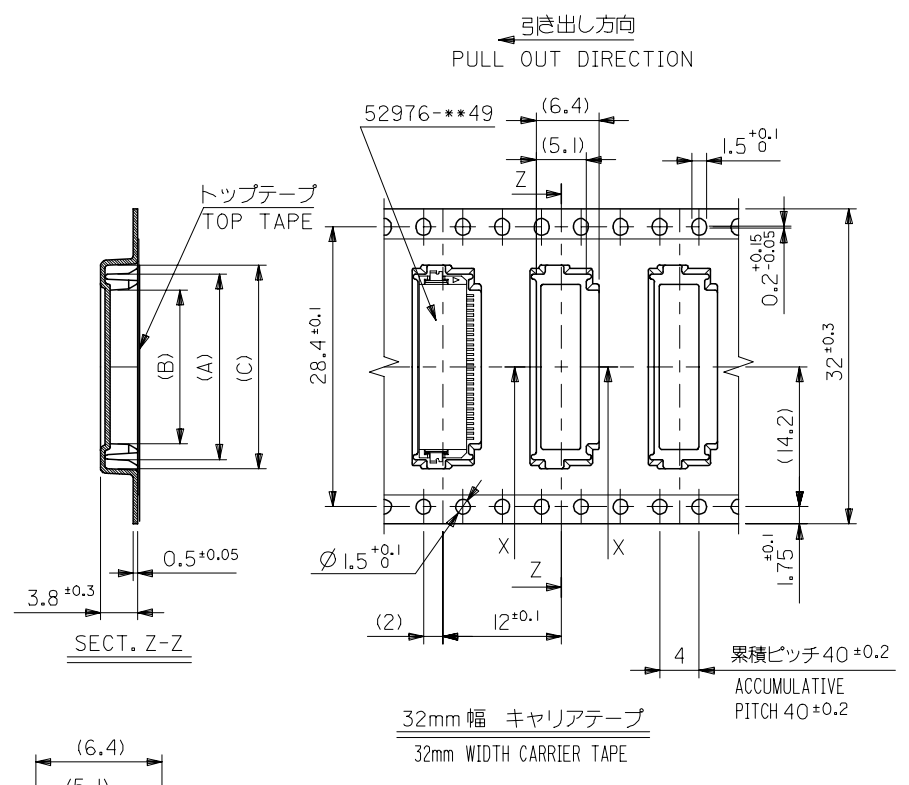
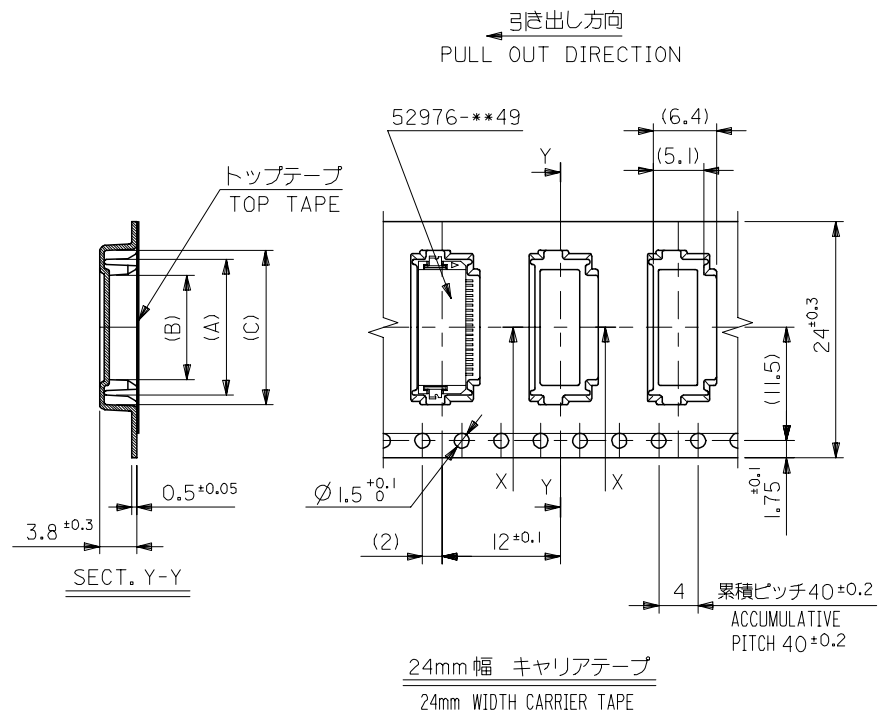
E

D

C

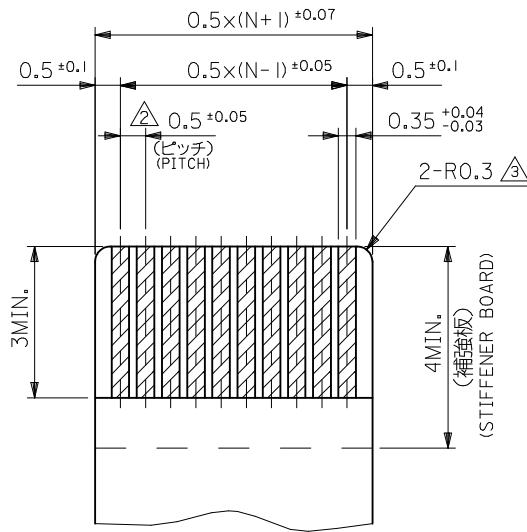
B

A

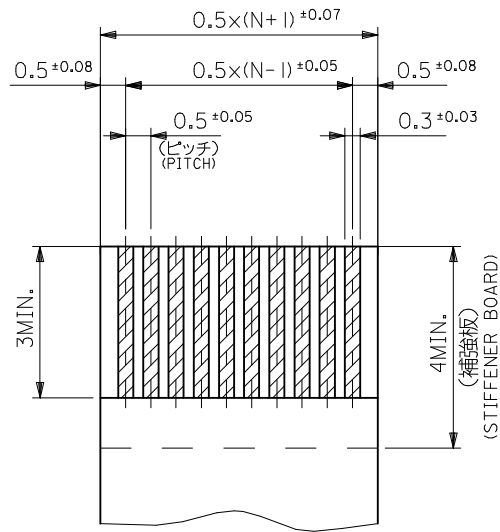


32	37.4	33.4	20.7	15.6	18.8	52976-3072	30
			17.7	12.6	15.8	52976-2472	24
24	29.4	25.4	16.2	11.1	14.3	52976-2172	21
			15.2	10.1	13.3	52976-1972	19
			14.7	9.6	12.8	52976-1872	18
			14.2	9.1	12.3	52976-1772	17
			13.7	8.6	11.8	52976-1672	16
			13.2	8.1	11.3	52976-1572	15
			12.7	7.6	10.8	52976-1472	14
			11.7	6.6	9.8	52976-1272	12
			10.7	5.6	8.8	52976-1072	10
			10.2	5.1	8.3	52976-0972	9
9.7	4.6	7.8	52976-0872	8			
8.7	3.6	6.8	52976-0672	6			
キャリアテープ幅 CARRIER TAPE WIDTH			(C)	(B)	(A)	MATERIAL NO.	極数 CKT.

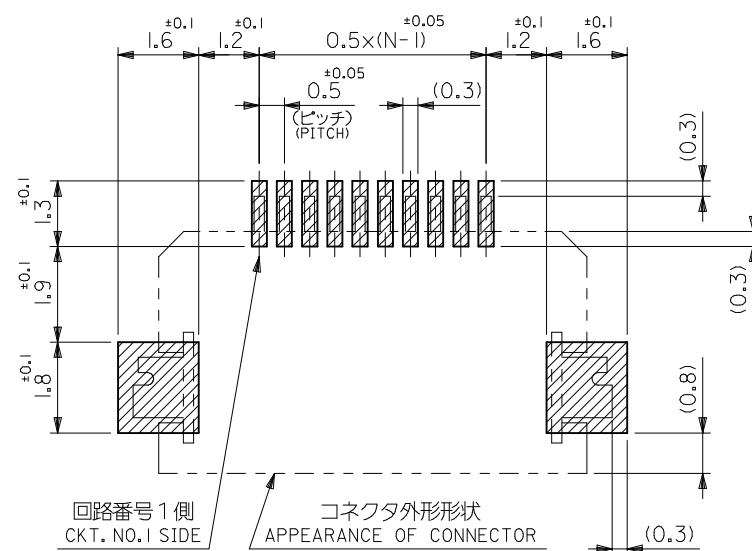
REVISED EC NO: J2008-1372 DRW: HAJI MA 2007/10/23 CHKD: THARUYAMA 2007/10/23 APPR: NUKITA 2007/10/23	GENERAL TOLERANCES (UNLESS SPECIFIED)		DIMENSION STYLE MM ONLY	SCALE ---	DESIGN UNITS METRIC	THIRD ANGLE PROJECTION	
	10 UNDER	± 0.2	DRAWN BY H. SHIMABUKUR	DATE 2004/03/01	TITLE 0.5 FPC CONN NON ZIF HOUSING ASSY EMBSTP PKG -LEAD FREE-		
	10 OVER 30 UNDER	± 0.25	CHECKED BY K. TOJO	DATE 2004/03/01	APPROVED BY M. SASAO		
	30 OVER	± 0.3	APPROVED BY M. SASAO	DATE 2004/03/01	MATERIAL NO. DOCUMENT NO. SD-52976-011		
ANGULAR ± 3 °		DRAFT WHERE APPLICABLE MUST REMAIN WITHIN DIMENSIONS		SEE TABLE		SHEET NO. 2 OF 2	
THIS DRAWING CONTAINS INFORMATION THAT IS PROPRIETARY TO MOLEX INCORPORATED AND SHOULD NOT BE USED WITHOUT WRITTEN PERMISSION							



適合FPC推奨寸法
 APPLICABLE FPC
 RECOMMENDED DIMENSION
 (仕上がり厚さ: 0.3±0.03)
 (THICKNESS : 0.3±0.03)

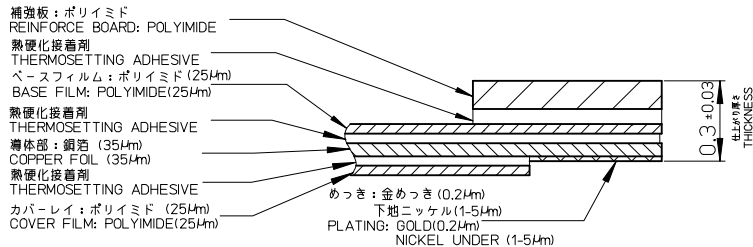


適合FFC推奨寸法
 APPLICABLE FFC
 RECOMMENDED DIMENSION
 (仕上がり厚さ: 0.3±0.03)
 (THICKNESS : 0.3±0.03)



推奨基板レイアウト
 RECOMMENDED P.C. BOARD
 PATTERN DIMENSION
 (マウント面)
 (MOUNTING SIDE)

マスク厚 : 100µm
 マスク開口率: 100%
 SCREEN THICKNESS : 100MICROMETER
 SCREEN OPEN RATIO : 100%



FPC構成推奨仕様
 STRUCTURE OF FPC

FPC/FFCについて ABOUT FPC/FFC
 打ち抜き方向は導体側から補強板側を推奨します。
 導体部については敷層銅35µmまたは50µmを推奨します。
 RECOMMENDED PUNCHING DIRECTION: FROM CONDUCTOR SIDE TO STIFFENER SIDE
 RECOMMENDED CONDUCTOR SPEC: SOFT COPPER FOIL
 RECOMMENDED CONDUCTOR THICKNESS: 35 MICROMETER OR 50 MICROMETER

FPCについてABOUT FPC
 補強フィルム材質はポリイミドを推奨します。ベースフィルムは25µmを推奨します。
 接着剤は熱硬化接着剤を推奨します。
 尚、接着剤の接点部への付着は導通不良の原因になりますので、染み出しが無い様、お願い致します。
 RECOMMENDED STIFFENER MATERIAL: POLYIMIDE
 RECOMMENDED BASE FILM THICKNESS: 25 MICROMETER
 RECOMMENDED ADHESIVE: THERMOSETTING ADHESIVE
 NOTE: PLEASE PUT APPROPRIATE AMOUNT OF ADHESIVE ON ADHEREND BECAUSE THERE IS A POSSIBILITY THAT THE EXTRA ADHESIVE CAUSES THE DEFECT IN ELECTRICAL CONTINUITY.

REVISED EC NO: J2013-1133 DRWN: SANUMA 2013/04/11 CHKD: TAKAHASHI 2013/04/11 APP: KMORIKAWA 2013/04/16 REV A	GENERAL TOLERANCES (UNLESS SPECIFIED)		DIMENSION STYLE MM ONLY	SCALE ---	DESIGN UNITS METRIC	52976-**-22	MODEL NO.
	10 UNDER	±0.2	DRAWN BY NKONDO	DATE 2012/09/18	TITLE 0.5MM FFC/FPC CONN NON-ZIF HSG ASSY (LOWER CONTACT)		
	10 OVER 30 UNDER	±0.25	CHECKED BY KTAKAHASHI	DATE 2012/09/18			
	30 OVER	±0.3	APPROVED BY KMORIKAWA	DATE 2013/03/15			
ANGULAR ±3 °		DRAFT WHERE APPLICABLE MUST REMAIN WITHIN DIMENSIONS	MATERIAL NO. SEE CHART	DOCUMENT NO. SD-52976-016	SHEET NO. 2 OF 2		
SIZE A3 THIS DRAWING CONTAINS INFORMATION THAT IS PROPRIETARY TO MOLEX INCORPORATED AND SHOULD NOT BE USED WITHOUT WRITTEN PERMISSION							