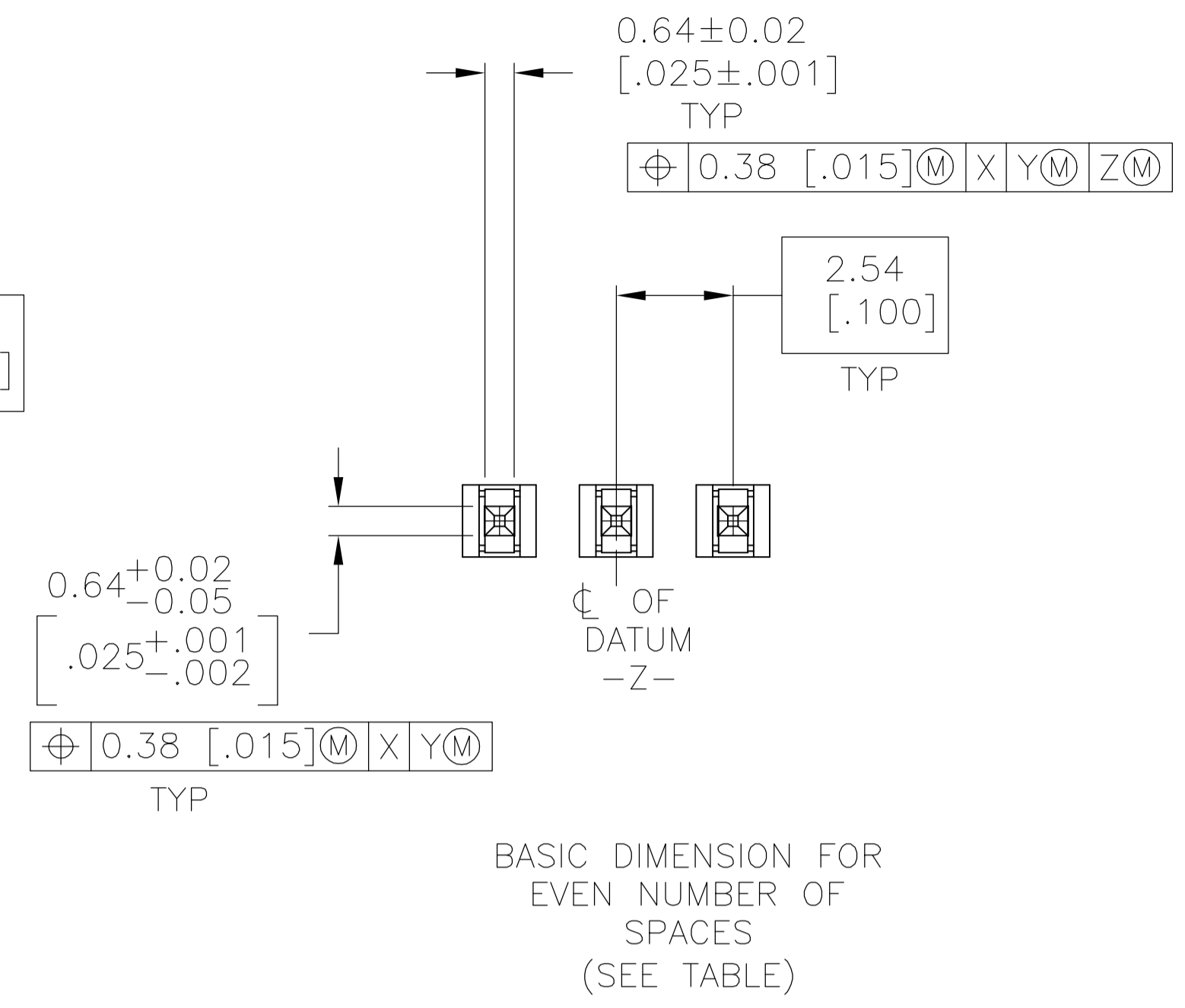
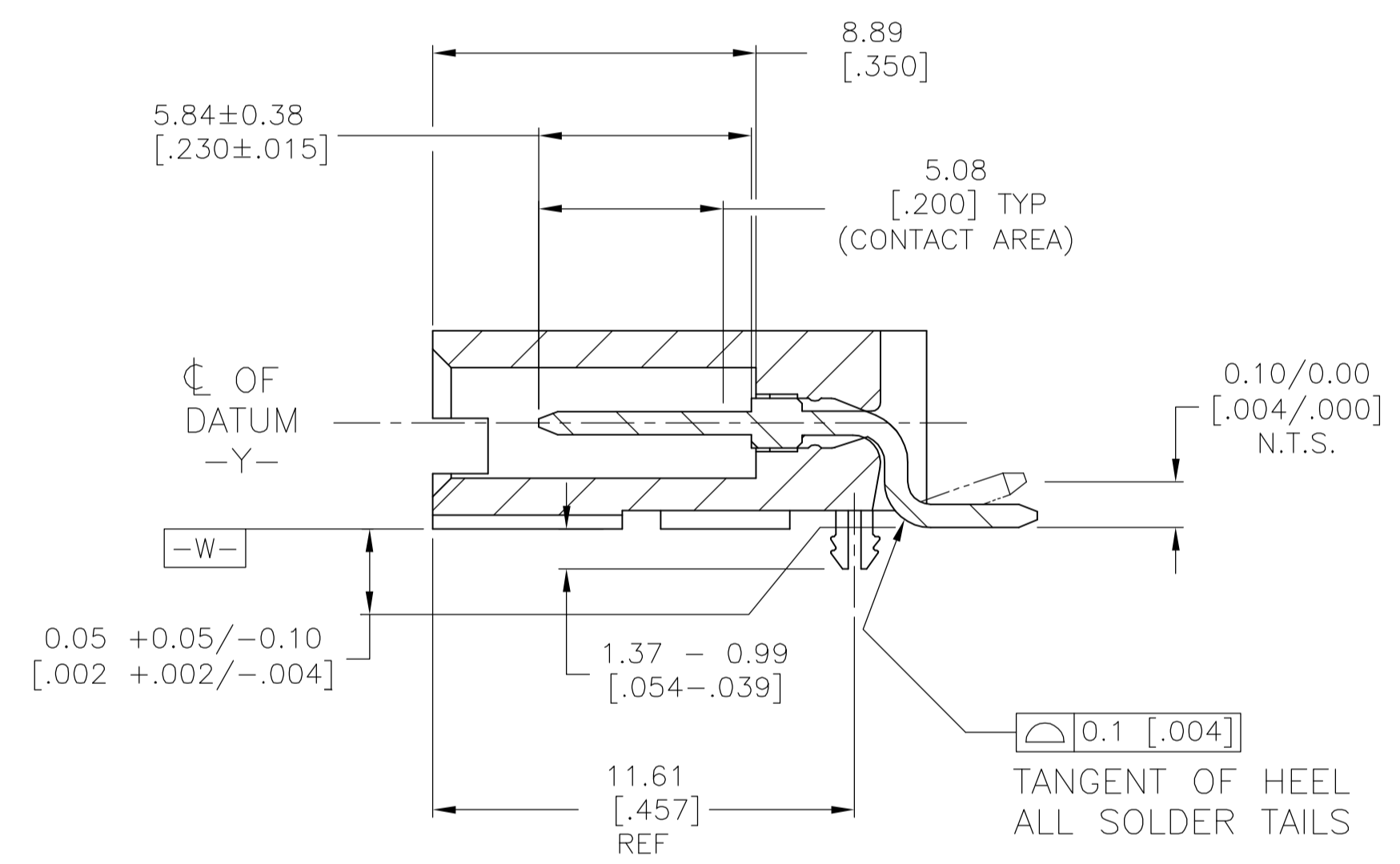
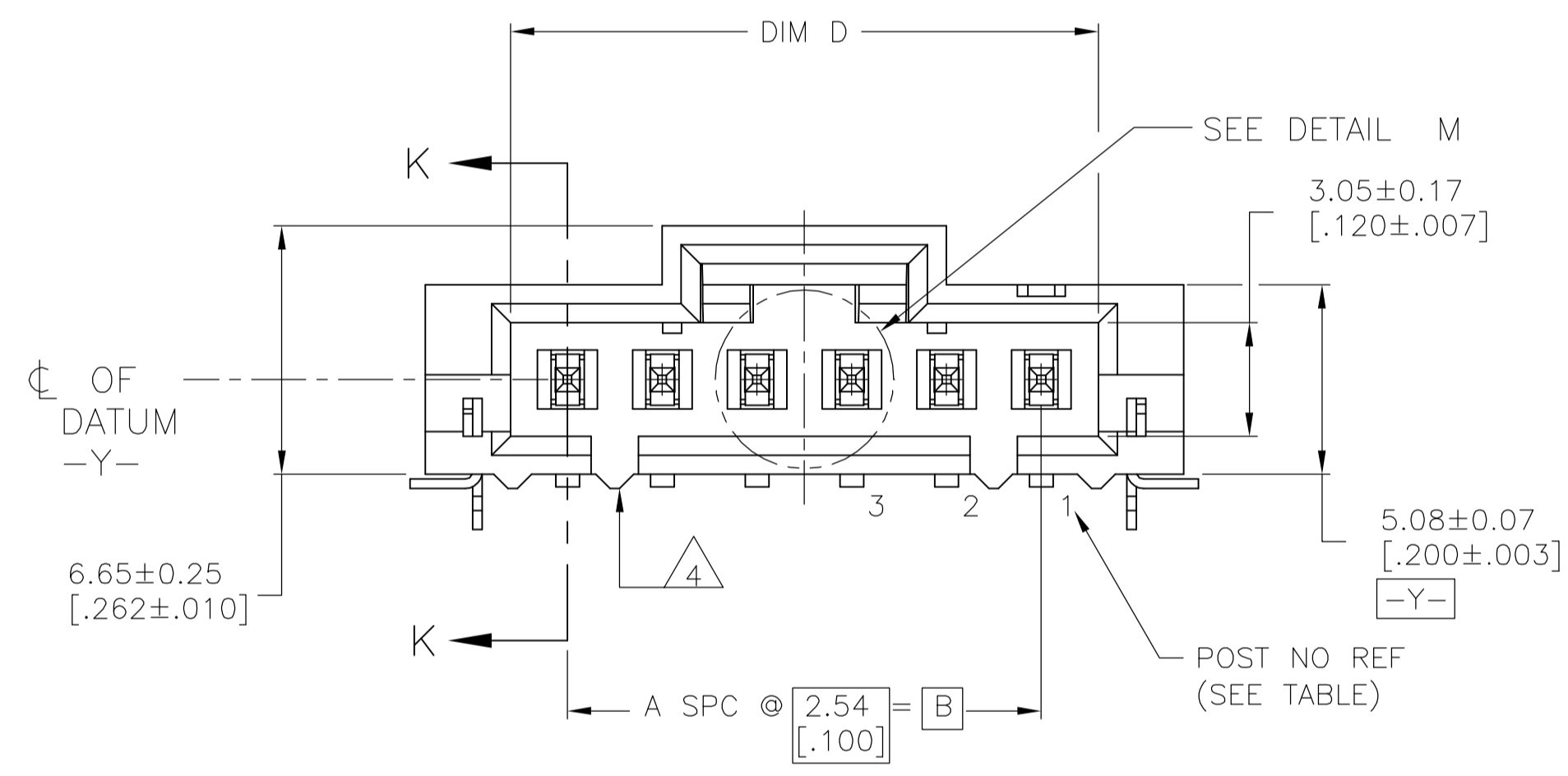


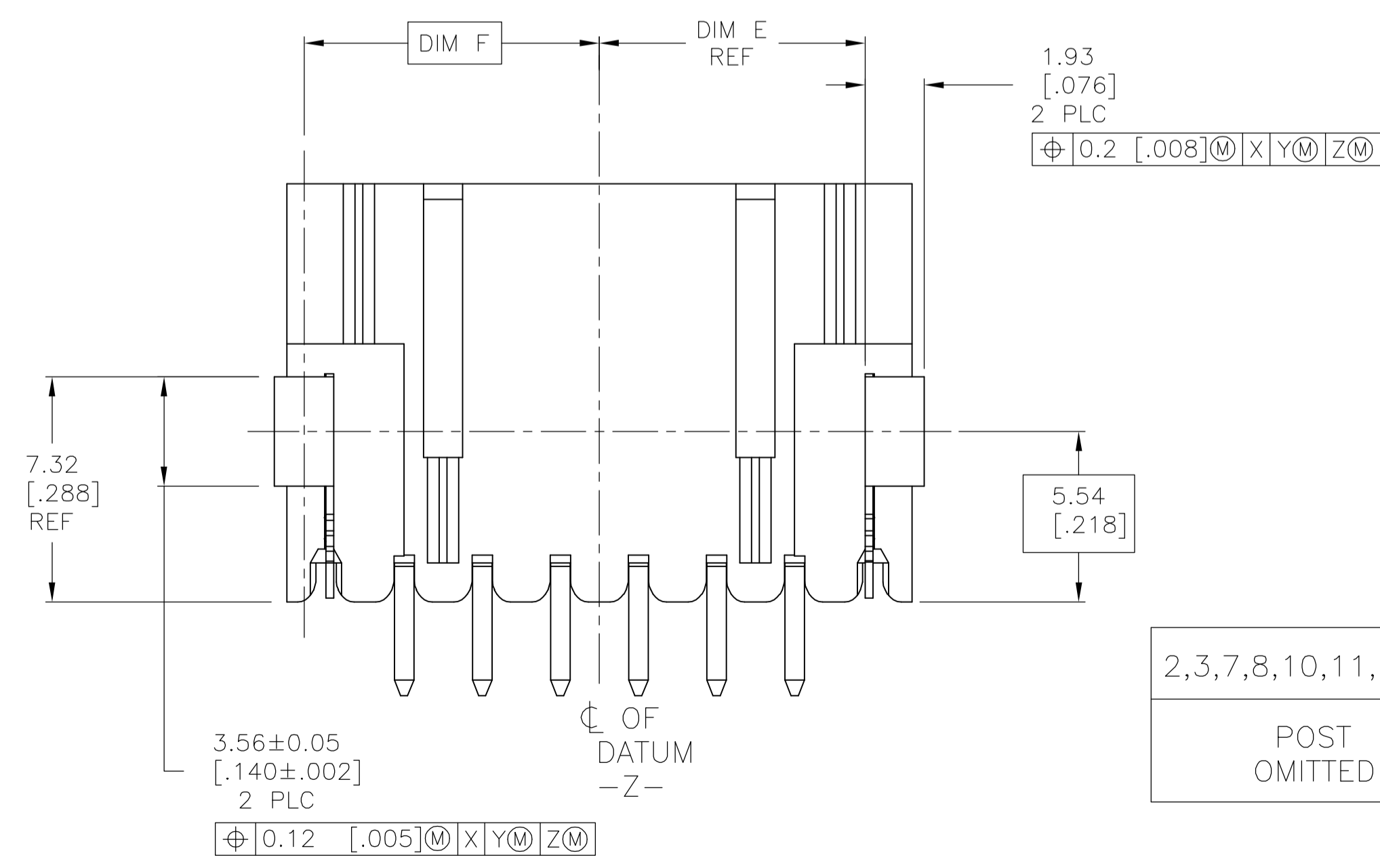
DETAIL M  
SCALE 8:1



DETAIL M  
SCALE 8:1



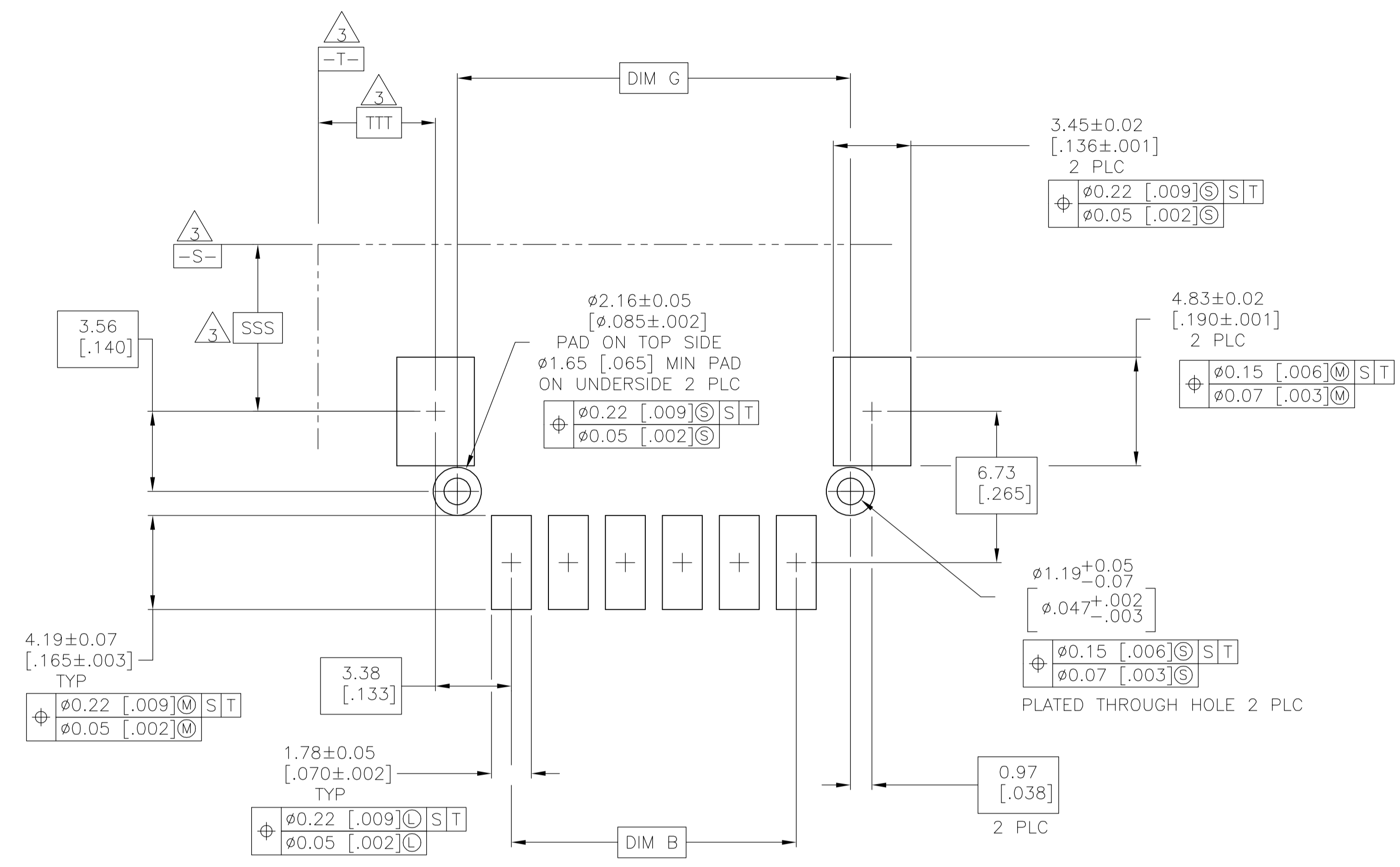
- 1 HOUSING: HIGH TEMPERATURE THERMOPLASTIC, COLOR-BLACK. POST: BRASS.
- 2 POST: 0.000762 [0.00030] MIN GOLD ON THE CONTACT AREA, 0.00254-0.00508 [0.00100-0.00200] MIN MATTE TIN ON THE SOLDER LEADS, ALL OVER 0.00127 [0.00050] NICKEL.
- 3 DATUMS AND BASIC DIMENSIONS ESTABLISHED BY THE CUSTOMER.
- 4 TWO POLARIZATION SLOTS ON ASSEMBLIES WITH FOUR OR MORE POSITIONS.
- 5 PACKAGE: TAPE AND REEL PER EIA-481 SPECIFICATIONS. SEE TABLE FOR TAPE WIDTH.



2,3,7,8,10,11,13,14	2	72	40.39 [1.590]	21.03 [.828]	20.07 [.790]	38.61 [1.520]	43.18 [1.700]	35.56 [1.400]	14	15	1825935-1
POST OMITTED	PLATING	EIA 481 TAPE WIDTH mm	G	F	E	D	C	B	A	NO OF POSN	PART NUMBER

THIS DRAWING IS A CONTROLLED DOCUMENT.

DIMENSIONS: mm [INCHES]	TOLERANCES UNLESS OTHERWISE SPECIFIED:	DIN M. BINNER 27NOV06	Tyco Electronics Corporation Harrisburg, Pa 17105-3608
0 PLC ± -	1 PLC ± -	CHK J. GESFORD 27NOV06	
2 PLC ± -	3 PLC ± 0.13 [0.005]	APVD J. GESFORD 27NOV06	NAME: HEADER ASSEMBLY, LATCHING, RIGHT ANGLE SURFACE MOUNT, MTE, AMPMODU
4 PLC ± -	ANGLES ± -	PRODUCT SPEC 108-25034	
MATERIAL 1	FINISH 2	SIZE A1	RESTRICTED TO
CUSTOMER DRAWING		SCALE 6:1	SHEET 1 OF 2



RECOMMENDED PC BOARD LAYOUT

THIS DRAWING IS A CONTROLLED DOCUMENT.		DWN M. BINNER 27NOV06	 Tyco Electronics Corporation Harrisburg, Pa 17105-3608
DIMENSIONS: mm [INCHES]		CHK J. GESFORD 27NOV06	
TOLERANCES UNLESS OTHERWISE SPECIFIED:		APVD J. GESFORD 27NOV06	NAME 108-25034
0 PLC ± - 1 PLC ± - 2 PLC ± - 3 PLC ± 0.13 [.005] 4 PLC ± - ANGLES ± -		PRODUCT SPEC 108-25034	APPLICATION SPEC
MATERIAL 1		FINISH 2	SIZE A1
		WEIGHT -	CAGE CODE 00779
		DRAWING NO 1825935	
		RESTRICTED TO -	
CUSTOMER DRAWING		SCALE 6:1	SHEET 2 OF 2
		REV A	