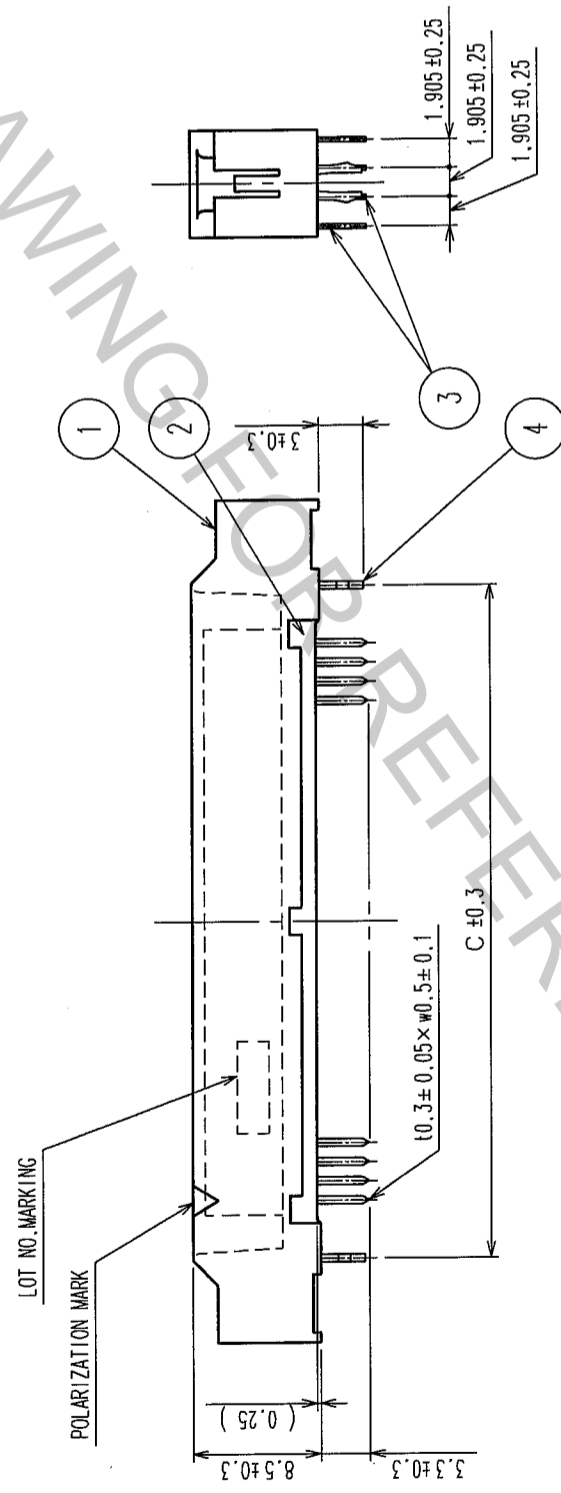
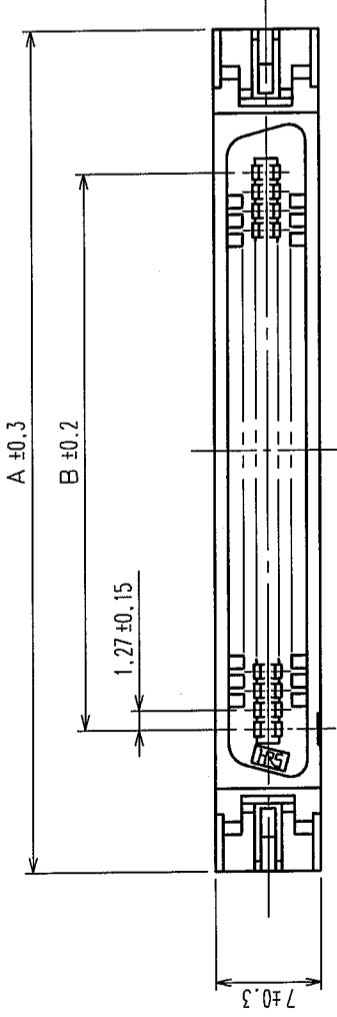
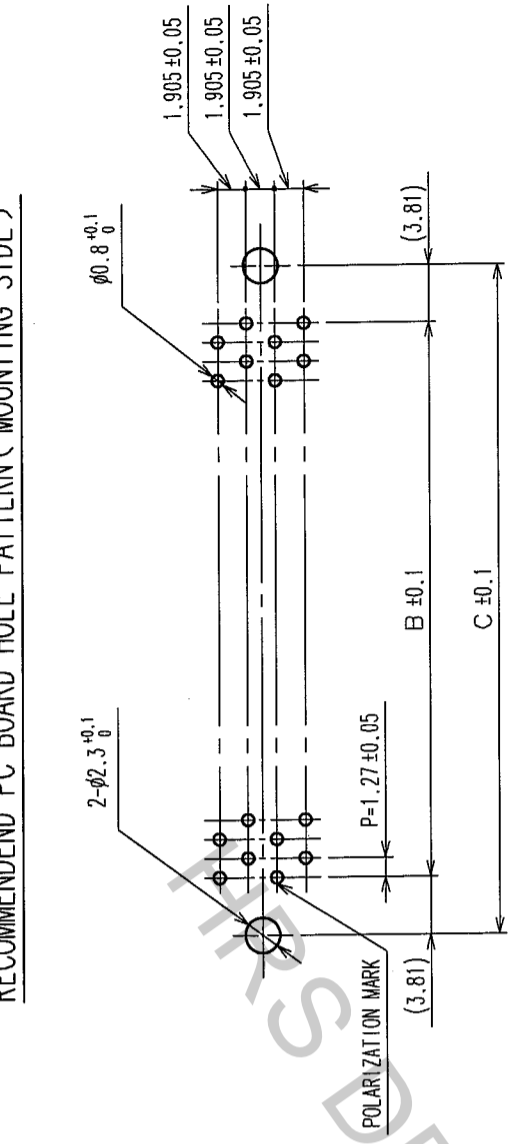


COUNT	DESCRIPTION OF REVISIONS	BY	CHKD	DATE	COUNT	DESCRIPTION OF REVISIONS	BY	CHKD	DATE
△					△				
△					△				
△					△				

RECOMMEND PC BOARD HOLE PATTERN ( MOUNTING SIDE )



PART No.	CODE No.	A	B	C
FX2B-40PA-1.27DSAL (71)	CL572-0873-5-71	40	43.03	24.13
FX2B-52PA-1.27DSAL (71)	CL572-0874-8-71	52	50.65	31.75
FX2B-60PA-1.27DSAL (71)	CL572-0875-0-71	60	55.73	36.83
FX2B-68PA-1.27DSAL (71)	CL572-0876-3-71	68	60.81	41.91
FX2B-80PA-1.27DSAL (71)	CL572-0877-6-71	80	68.43	49.53
FX2B-100PA-1.27DSAL (71)	CL572-0878-9-71	100	81.13	62.23
				69.85

NOTES 1. THE DIMENSIONS IN PARENTHESES ARE FOR REFERENCE.  
 2. NUMBER OF PIN.

NO.	MATERIAL	FINISH,	REMARKS	NO.	MATERIAL	FINISH,	REMARKS
4	PHOSPHOR BRONZE	TIN-PLATING		3	BRASS		
1, 2	POLYAMIDE	BLACK	UL94V-0				
CODE NO. (COLD)				CONTACT AREA: GOLD FLASH			
CL				DIP AREA: TIN-PLATING 2μm min			
				UNDER PLATING: NICKEL 1μm min			
				FINISH, REMARKS			
DRAWN				DESIGNED			
I. OKAYAMA				K. NAKAMURA			
04.06.02				04.06.02			
				CHECKED			
				H. OKAWA			
				APPROVED			
				H. OKAWA			
				RELEASED			
				04.06.14			
				04.06.14			

DRAWING NO.		PART NO.	
EDC3-151043-21		FX2B-PA-1.27DSAL (71)	
SCALE		CODE NO.	
FREE		CL572	
UNITS			
mm			

**HRS** HIROSE ELECTRIC CO., LTD.

TO	
PCK	