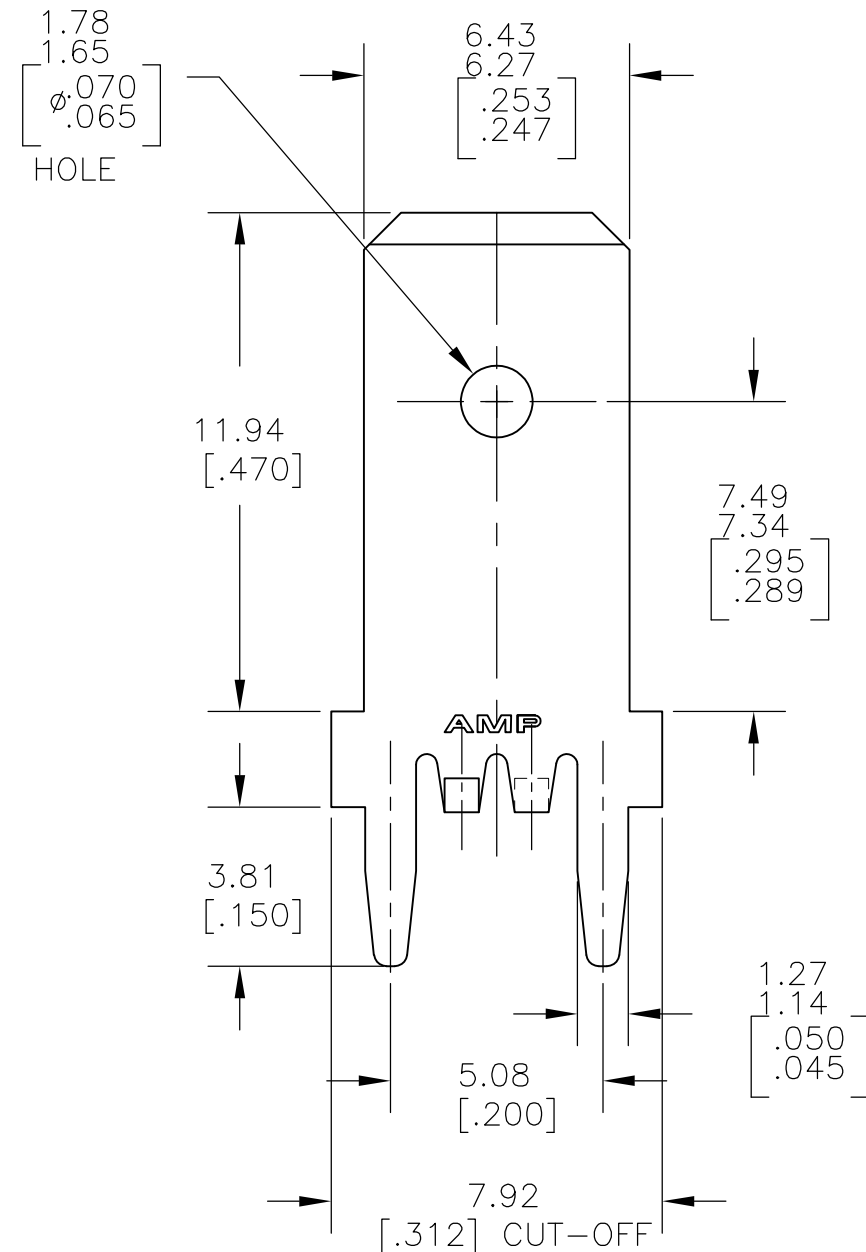
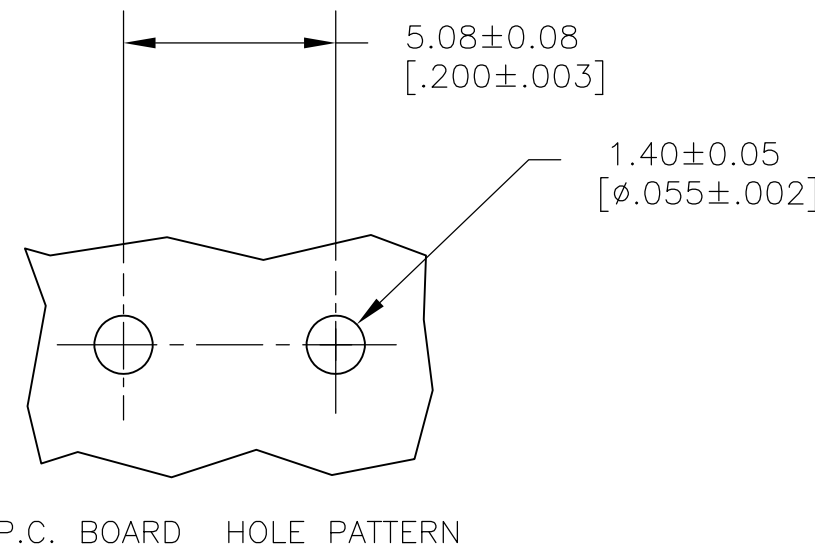
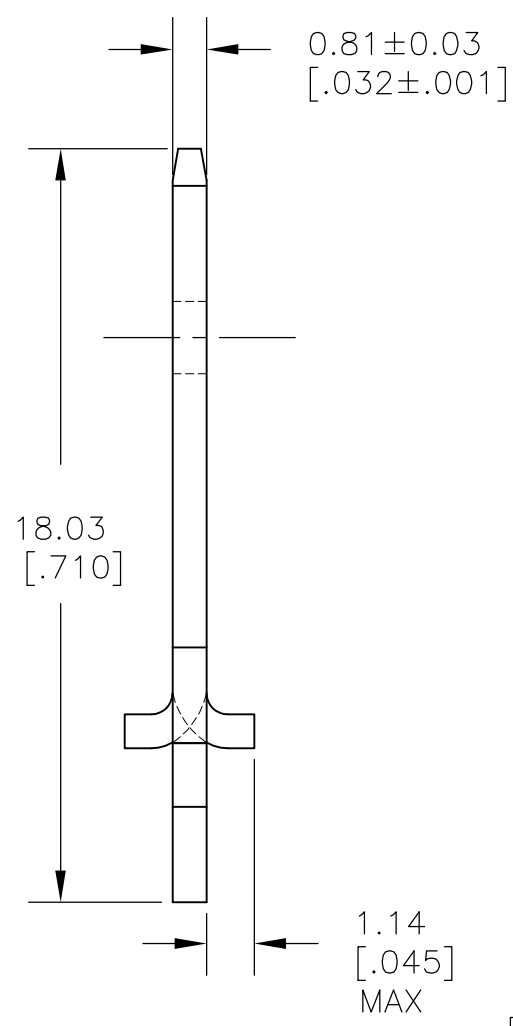


THIS DRAWING IS UNPUBLISHED. RELEASED FOR PUBLICATION
 © COPYRIGHT - By - ALL RIGHTS RESERVED.

LOC	DIST	REVISIONS			
P	LTR	DESCRIPTION	DATE	DWN	APVD
AF	50	B	REVISED PER ECR-13-001204	28JUN13	KH PD



- 1 SUPPLIED IN LOOSE PIECE AFTER PLATING, BARE EDGES AT CUT-OFFS.
- 2 TIN PLATE 0.00381 [.000150] MIN OVER 0.00254 [.000100] MIN THK COPPER.



1217169-1
PART NO.

THIS DRAWING IS A CONTROLLED DOCUMENT.		DWN	JR RUTH	28MAR01	 TE Connectivity	NAME			RESTRICTED TO	
DIMENSIONS:		CHK	MS FEHER	28MAR01		TAB, FASTON, P.C.BOARD				
mm [INCHES]		APVD	N DEIBERT	28MAR01		6.35 [.250]				
TOLERANCES UNLESS OTHERWISE SPECIFIED:		PRODUCT SPEC	-			SIZE	CAGE CODE	DRAWING NO		
0 PLC ± - 1 PLC ± - 2 PLC ± 0.25 [.010] 3 PLC ± - 4 PLC ± - ANGLES ± -		APPLICATION SPEC	-			A3	00779	C-1217169		
MATERIAL	BRASS	FINISH	2		WEIGHT	-				
CUSTOMER DRAWING					SCALE	6:1	SHEET	1 of 1	REV	B