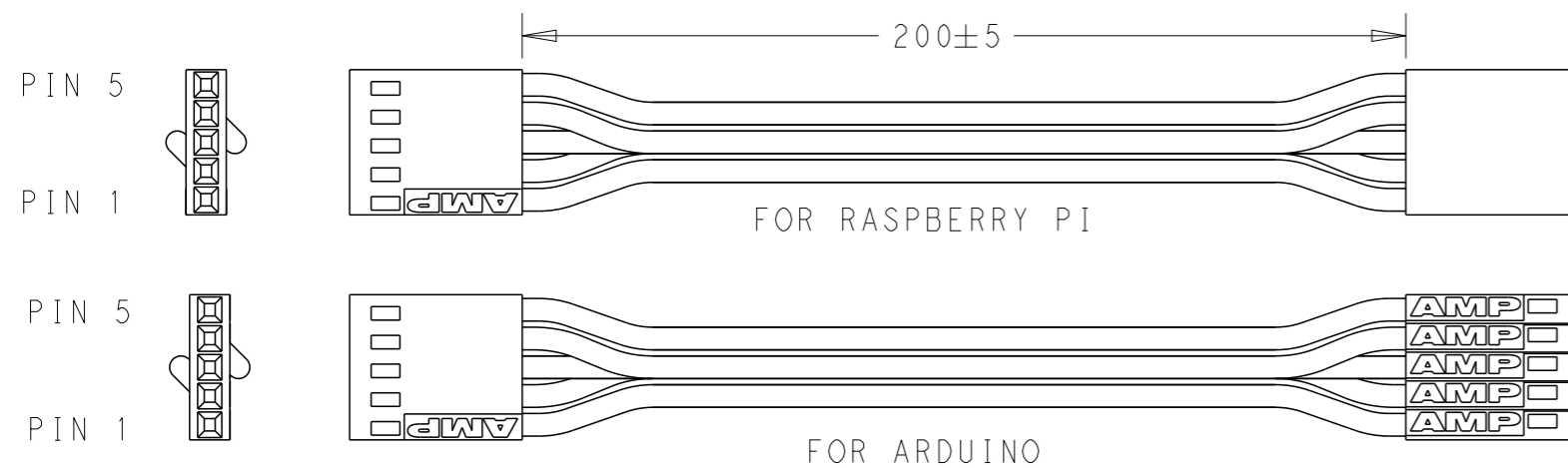
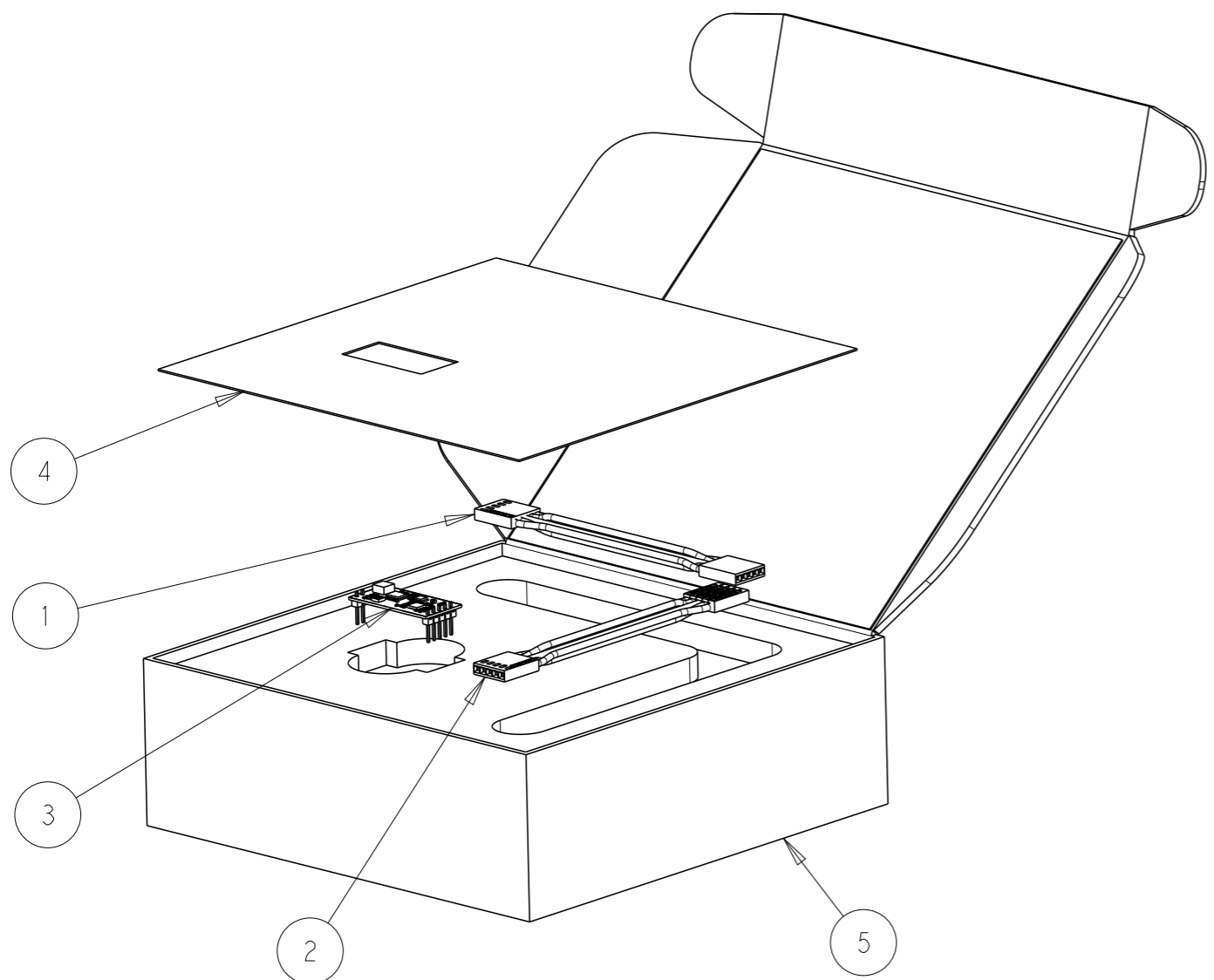


REVISIONS

P	LTR	DESCRIPTION	DATE	DWN	APVD
A		RELEASED FOR PRODUCTION	04JUL2018	SM	OL

NOTE:

- REFER TE APPLICATION SPECIFICATION 114-133115 FOR MORE DETAILS.
- REFER WWW.TE.COM/AMBIMATE TO DOWNLOAD APPLICATION SOFTWARE



QTY	UNIT	DESCRIPTION	ITEM	
1	1	1	PACKING BOX	5
1	1	1	INLAY	4
-	-	1	AMBIMATE KIT, MS4, TH	3
-	1	-	AMBIMATE KIT, MS4, TH, WITH MIC	
1	-	-	AMBIMATE KIT, MS4, TH, WITH CO2	2
1	1	1	ARDUINO CABLE ASSY	2
1	1	1	RASPBERRY PI CABLE ASSY	1
2331211-2	2331211-2	2331211-1	DESCRIPTION	ITEM

THIS DRAWING IS A CONTROLLED DOCUMENT.

DIMENSIONS:	TOLERANCES UNLESS OTHERWISE SPECIFIED:
mm	0 PLC ±-
	1 PLC ±0.5
	2 PLC ±-
	3 PLC ±-
	4 PLC ±-
	ANGLES ±-
MATERIAL	FINISH
-	-
-	-

DWN	RAVI.S	06MAR2018
CHK	SUBHASH.M	06MAR2018
APVD	OLAF.L	06MAR2018
PRODUCT SPEC	108-133092	
APPLICATION SPEC	114-133115	
WEIGHT	-	
CUSTOMER DRAWING		

NAME AMBIMATE KIT, MS4			
SIZE	CAGE CODE	DRAWING NO	RESTRICTED TO
A3	00779	C-2331211	-
SCALE		SHEET	REV
1:2		1 OF 1	A