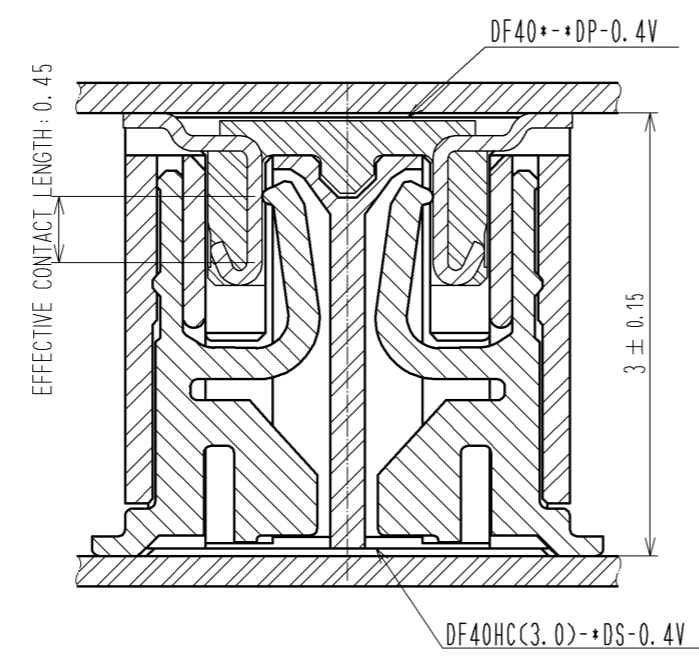
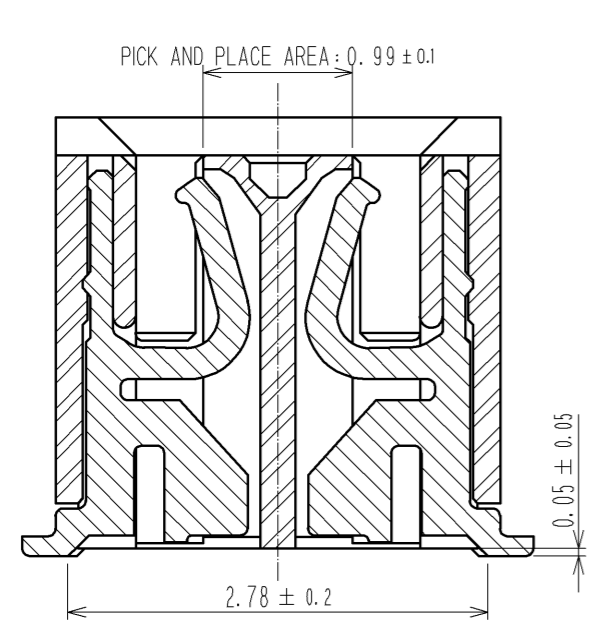


- NOTES) 1. ALL LEADS CO-PLANARITY SHALL BE 0.1 MAX.
 2. IS NO PATTERN AREA OTHER THAN THE SAME CIRCUIT.
 3. HRS MARK AND CAV NO. IS INDICATED IN APPROXIMAL POSITION SHOWN.
 4. GATE POSITION OF 60 TO 100 POSITIONS IS POSITIONED IN APPROXIMAL AREA SHOWN.
 5. GATE POSITION OF 10 TO 50 POSITIONS IS POSITIONED IN APPROXIMAL AREA SHOWN.
 A PART OF THE WALL COULD BE NOTCHED FOR SETTING GATE.
 6. 60 TO 100 POSITIONS HAVE CONCAVE PORTION.

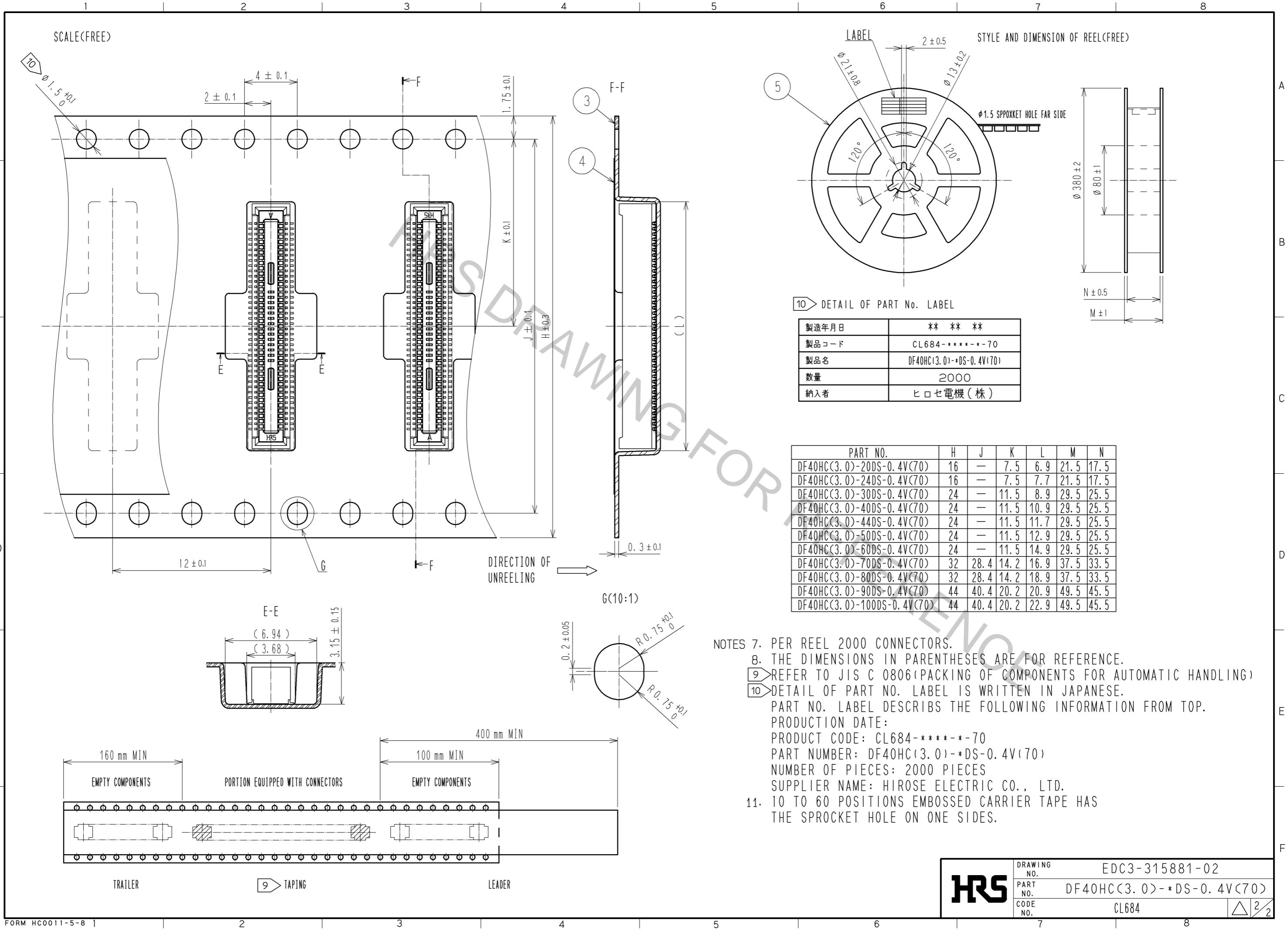
A-A(20:1)

ENGAGEMENT FIGURE (20:1)



PART NO.	CODE NO.	B	C	D
DF40HC(3.0)-20DS-0.4V(70)	—	6.6	3.6	1.0
DF40HC(3.0)-24DS-0.4V(70)	—	7.4	4.4	1.2
DF40HC(3.0)-30DS-0.4V(70)	CL684-4098-0-70	8.6	5.6	1.5
DF40HC(3.0)-40DS-0.4V(70)	—	10.6	7.6	3.2
DF40HC(3.0)-44DS-0.4V(70)	CL684-4076-7-70	11.4	8.4	3.2
DF40HC(3.0)-50DS-0.4V(70)	CL684-4099-2-70	12.6	9.6	3.2
DF40HC(3.0)-60DS-0.4V(70)	CL684-4100-0-70	14.6	11.6	3.2
DF40HC(3.0)-70DS-0.4V(70)	—	16.6	13.6	3.2
DF40HC(3.0)-80DS-0.4V(70)	—	18.6	15.6	3.2
DF40HC(3.0)-90DS-0.4V(70)	—	20.6	17.6	3.2
DF40HC(3.0)-100DS-0.4V(70)	—	22.6	19.6	3.2

2	PHOSPHOR BRONZE	CONTACT AREA: GOLD 0.05 μm MIN	5	PS	BLACK			
		SMT LEAD: GOLD 0.05 μm MIN						
		UNDERPLATING: NICKEL 1 μm MIN						
1	LCP	BLACK, UL94V-0	3	PS	CLEAR, EMBOSSED CARRIER TAPE			
NO.	MATERIAL	FINISH . REMARKS	NO.	MATERIAL	FINISH . REMARKS			
UNITS	mm	SCALE	10:1	COUNT	DESCRIPTION OF REVISIONS	DESIGNED	CHECKED	DATE
		APPROVED : KH. IKEDA	10.07.12	DRAWING NO. EDC3-315881-02				
		CHECKED : AR. TAKAHASHI	10.07.12	PART NO. DF40HC(3.0)-*DS-0.4V(70)				
		DESIGNED : TK. SUZUKI	10.07.12	CODE NO. CL684				
		DRAWN : TK. SUZUKI	10.07.12					



HRS	DRAWING NO.	EDC3-315881-02
	PART NO.	DF40HC(3.0)*DS-0.4V(70)
	CODE NO.	CL684
		△ 2/2