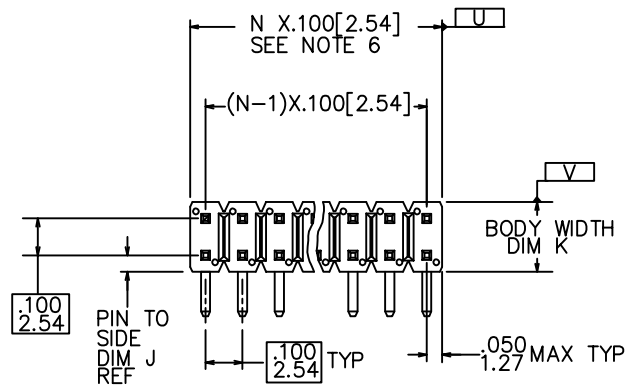


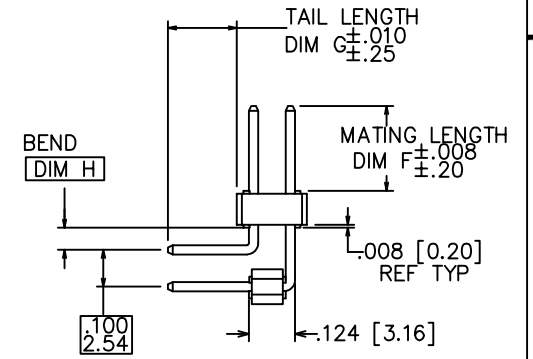
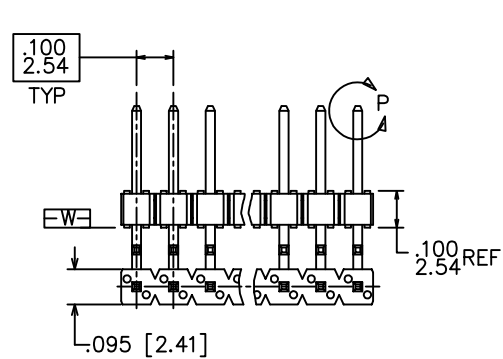
PRODUCT NUMBER

10123427-XXX.XXX.XLF

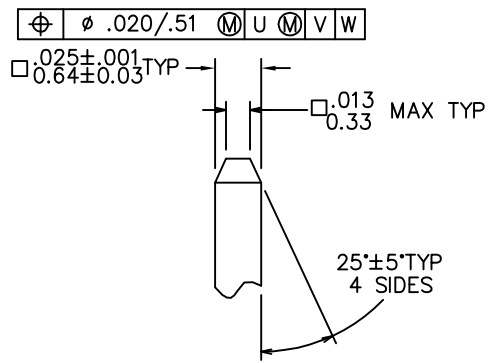
- LEAD FREE OPTION
SEE NOTE 1,4
- PACKAGING OPTION
SEE NOTE 1
- INDICATE DIFFERENT MATING LENGTH
AND TAIL LENGTH AND POLARIZED PIN
AND OTHER INFORMATION (SEE SHEET 3)
- NO OF
POSITIONS
SEE NOTE 1
- PIN PLATING
SEE SHEET 2
- BASE PART NO.



TOP VIEW



END VIEW



DETAIL P
TYP BOTH ENDS

mat'l. code		surface		tolerance		projection		product family	
NOTES 2 & 3		ISO 1302		ISO 406		ISO 1101		BERGSTIK	
ltr	ecn	no	dr	date		tolerances unless otherwise specified		title	
A	NEW RELEASE	MZ		2015-06-12		angles		BERGSTIK [®] II HEADER	
B	ELX-N-21195	MZ		2015-06-19		linear		.100/2.54cc DR R/A	
						0°±2°		scale 1:1	
		dr		Zhou Mike		2015-06-12		dwg no	
		enr		Han John		2015-06-12		sheet 1 of 3	
		chr		Hu ZhengKun		2015-06-12		size	
		app		Yao Tim		2015-06-12		A3	
sheet		revision		B		B		type	
index		sheet		1		2		Product Customer Drawing	



PIN PLATING CODES:

10123427-3YYXXXXLF	50u"/1.27u MIN Au OVER 50u"/1.27u MIN Ni
10123427-4YYXXXXLF	100u"/2.54u MIN Sn OVER 50u"/1.27u MIN Ni
10123427-5YYXXXXLF	30u"/0.76uMIN Au OVER 50u"/1.27u MIN Ni
10123427-6YYXXXXLF	15u"/0.38uMIN Au OVER 50u"/1.27u MIN Ni
10123427-7YYXXXXLF	15u"/0.38uMIN GXT OVER 50u"/1.27u MIN Ni
10123427-8YYXXXXLF	30u"/0.76uMIN GXT OVER 50u"/1.27u MIN Ni

NOTES:

1. PART NUMBER OPTIONS:

PIN PLATING CODES (SEE ABOVE)

NUMBER OF POSITION:

EVEN NUMBER OF POSITIONS FROM 2 (2X1) THRU 72 (2X36).(ONLY HAVE TOOL FOR 2x3 AND 2X6)

PACKING STYLE DEFINITION.

NONE: PACKED WITH POLY BAG PER BUS-14-099

T: PACKED WITH TUBE PER BUS-14-212

LEAD FREE:

ADD "LF" SUFFIX AT THE END OF PART NUMBER FOR LEAD FREE OPTION.

2. BODY MATERIAL:

HIGH TEMP. MATERIAL, UL-94V-0, COLOR BLACK.

3. PIN MATERIAL: COPPER ALLOY.

4. THESE PRODUCTS MEETS EUROPEAN UNION DIRECTIVES AND OTHER COUNTRY REGULATION AS DESCRIBED IN GS-22-008.

5. THE OAL DON'T EXCEED 31mm

OAL= MATTING DIM + TAIL DIM +4.0mm<=31mm "WHERE THE SUM OF TAIL

LEGTN DON'T EXCEED 27mm

TAIL LENGTH MIN 2.00mm TAIL LENGTH MAX 10.4mm

MATTING LENGTH MIN 1.5mm MATTING LENGTH MAX 25.4mm

6. TO DETERMINE DIMENSIONS:

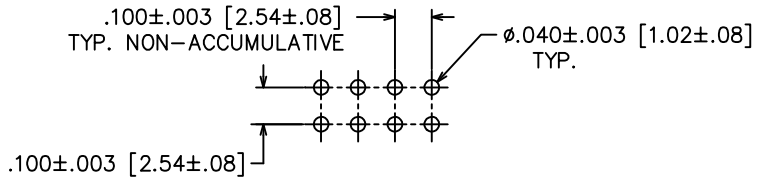
N=NUMBER OF POSITION PER ROW

EXAMPLE: 10 POS. N X .100/2.54

7. PART NUMBER WILL WITHSTAND EXPOSURE TO 260°PEAK TEMPERATURE

FOR 20 SECONDS IN WAVE SOLDER, INFRA-RED OR VAPOR PHASE SOLDER PROCESS.

8. PRODUCT SPECIFICATION REFER TO BUS-12-050



RECOMMENDED HOLE PATTERN



FCIconnect.com

Copyright FCI

mat'l. code		surface		tolerance		projection		product family	
NOTES 2 & 3		ISO 1302 ✓		ISO 406 ISO 1101		INCH/MM		BERGSTIK	
ltr	ecn	no	dr	date	tolerances unless otherwise specified		title		
B					angles	.XX±01/.XX±0.3	BERGSTIK [®] II HEADER		
					linear	.XXX±005/.XXX±0.13	.100/2.54cc DR R/A		
					0°±2'	.XXX±0020/.XXX±0.051	scale 1:1		
			dr	Zhou Mike	2015-06-12			dwg no	
			enr	Zhou Mike	2015-06-12			sheet 2 of 3	
			chr	Hu ZhengKun	2015-06-12			10123427	
			appd	Yao Tim	2015-06-12			A3	
sheet	revision							type Product Customer Drawing	
index	sheet								

PRODUCT NUMBER	MATING LENGTH	TAIL LENGTH	BEND DIM	PIN TO SIDE	BODY WIDTH
	DIM F	DIM G	DIM H	DIM J	DIM K
	INCH/MM	INCH/MM	INCH/MM	INCH/MM	INCH/MM
10123427-XY001LF	.118 [3.00]	.206 [5.23]	.152 [3.86]	.045 [1.14]	.190 [4.83]



FCIconnect.com

Copyright FCI

mat'l. code		surface ISO 1302 ✓	tolerance ISO 406 ISO 1101	projection 	product family BERGSTIK
ltr	ecn no	dr	date	tolerances unless otherwise specified	
B				angles	linear
				0±2°	linear
				dr	Zhou Mike 2015-06-12
				enr	Han John 2015-06-12
				chr	Hu ZhengKun 2015-06-12
				app	Yao Tim 2015-06-12
sheet index	revision sheet				



title
BERGSTIK[®] II HEADER
.100/2.54cc DR R/A

scale 1:1

dwg no 10123427 sheet 3 of 3 size A3

type Product Customer Drawing