

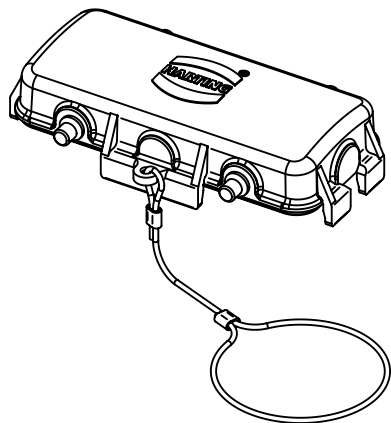
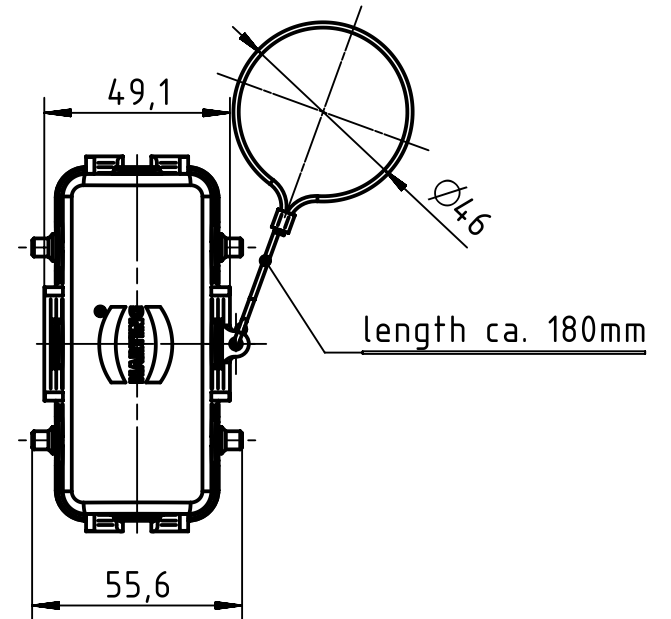
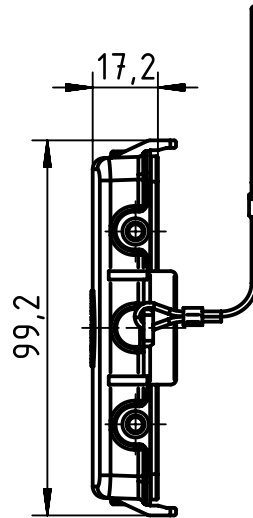
1 2 3 4 5 6

A

B

C

D



	All rights reserved Department EL PD - DE	Created by SPRENB		Inspected by BERGHORN		Standardisation TIEMANNA		Date 2013-08-30		State Final Release	
		Title Han B Protect Cover Die Cast for Hood PG								Doc-Key / ECM-Nr. 100172889/UGD/004/A 500000064823	
HARTING Electric GmbH & Co. KG D-32339 Espelkamp		Type TB		Number 09 30 016 5426				Rev. A		Page 1/1	
 All Dimensions in mm Original Size DIN A4		Scale 1:2		Free size tol.				Ref.		Sub.	