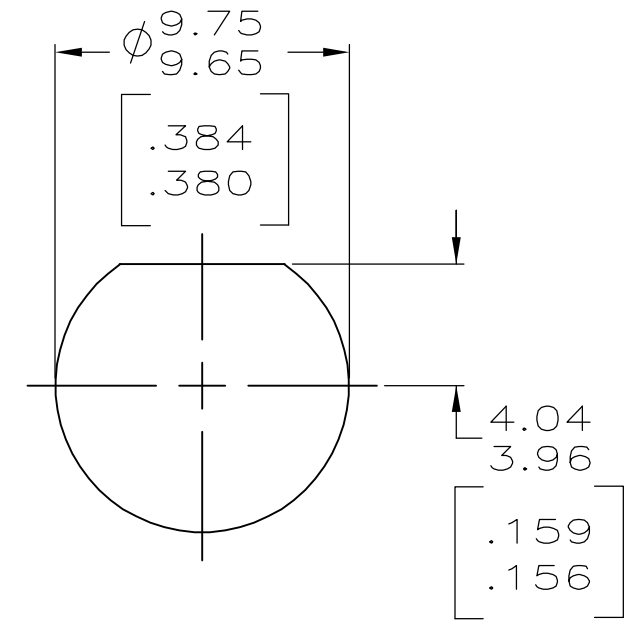
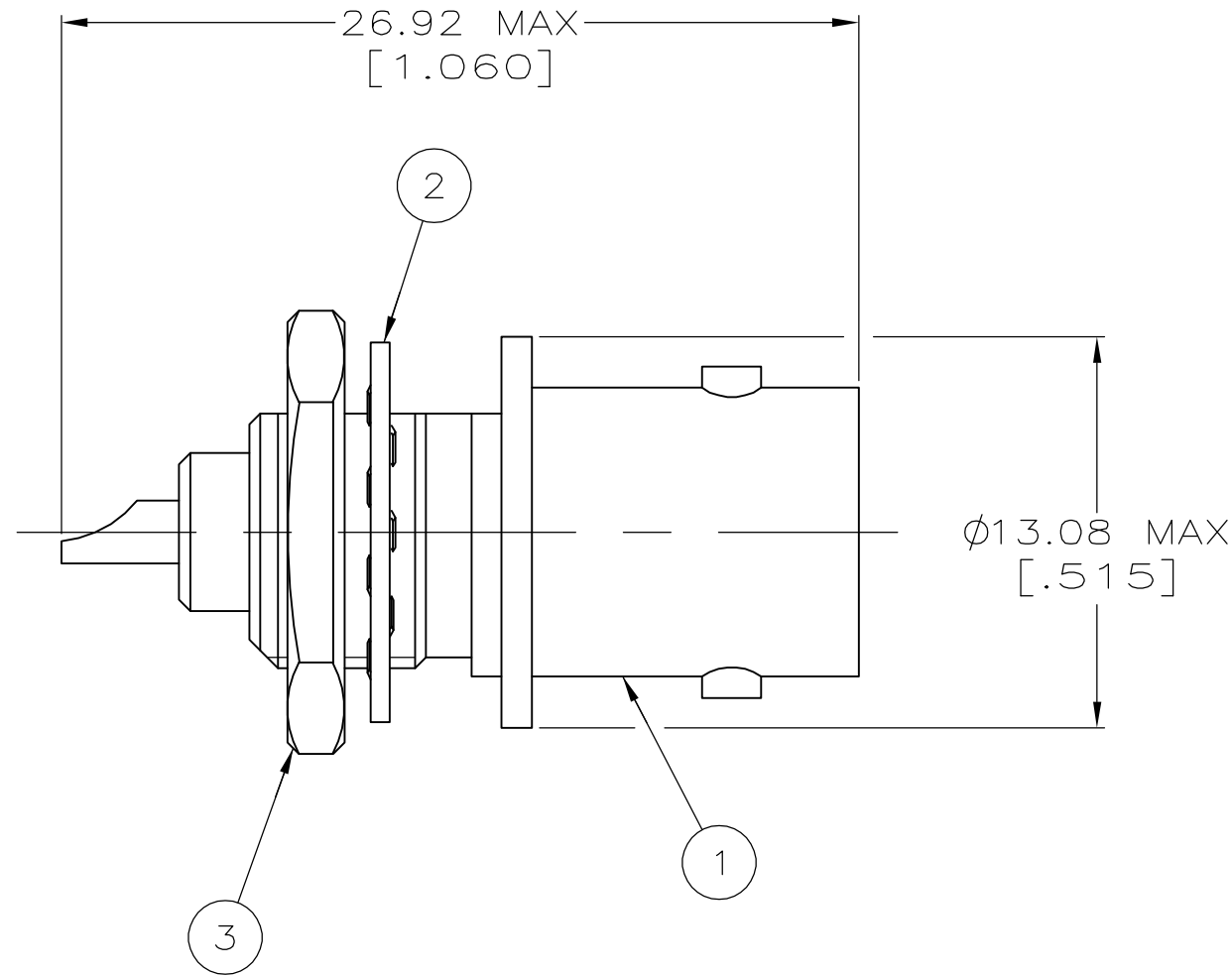


THIS DRAWING IS UNPUBLISHED. RELEASED FOR PUBLICATION
 © COPYRIGHT - BY TYCO ELECTRONICS CORPORATION. ALL RIGHTS RESERVED.

LOC	DIST	REVISIONS					
AJ	16	P	LTR	DESCRIPTION	DATE	DWN	APVD
			A	REVISED PER EC OS14-0150-05	30AUG05	BM	JL

1. 3.175 [.125] MAX PANEL THICKNESS.



RECOMMENDED PANEL CUTOUT

1-330249-1	1-329492-1	227717-3	5227715-3
3 JAM NUT QTY=1	2 LOCKWASHER QTY=1	1 JACK ASSY QTY=1	PART NUMBER

THIS DRAWING IS A CONTROLLED DOCUMENT.		DWN L. VARELA - DOCK5 21APR2005	Tyco Electronics Corporation Harrisburg, Pa 17105-3608	
DIMENSIONS: mm [INCHES]	TOLERANCES UNLESS OTHERWISE SPECIFIED:	CHK J. HAVENER 21APR2005	NAME SOLDER JACK, 50 OHM SERIES BCN	
	0 PLC ± - 1 PLC ± - 2 PLC ± - 3 PLC ± - 4 PLC ± - ANGLES ± -	APVD J. LIPPERT 21APR2005	PRODUCT SPEC 108-12079	
MATERIAL	FINISH	APPLICATION SPEC	SIZE A3	CAGE CODE 00779
-	-	WEIGHT	DRAWING NO C-5227715	RESTRICTED TO
CUSTOMER DRAWING			SCALE 4:1	SHEET 1 OF 1
			REV A	