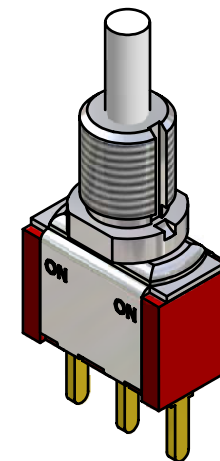
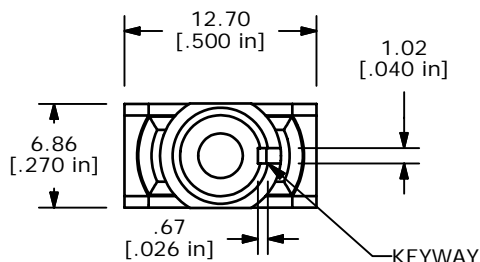
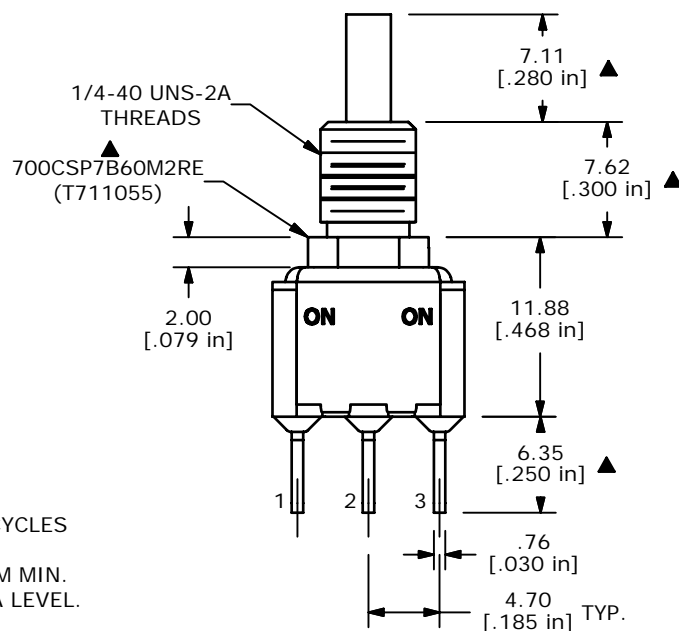
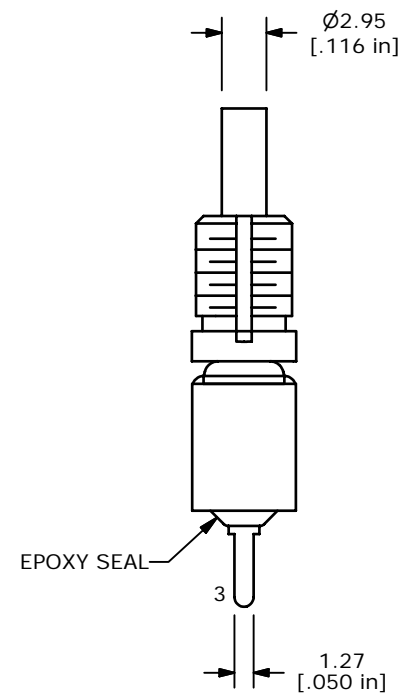


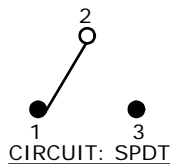
P.C. MOUNTING



ISOMETRIC



SWITCH FUNCTION	
POS. 1	POS. 2
ON	ON
1-2	2-3



- NOTE:
- ALL DIMENSIONS IN MM [INCH]
  - GENERAL TOLERANCE: X.X=±0.4  
X.XX=±0.25
  - TERMINAL NUMBERS FOR REF ONLY
  - PLATING MATERIAL: GOLD
  - ▲ RATING: 0.4VA MAX. @20V MAX. AC OR DC
  - ELECTRIC LIFE: 50,000 MAKE-AND-BREAK CYCLES AT FULL LOAD.
  - INSULATION RESISTANCE: 1,000 MEGA-OHM MIN.
  - DIELECTRIC STRENGTH: 1,000 V RMS @SEA LEVEL.
  - OPERATING TEMP.: -30°C to 85°C
  - ▲ 10. HARDWARE TO BE SHIPPED BULK  
T100000 - HEXNUT - QTY 2  
T100011 - LOCKWASHER - QTY 1  
T100015 - LOCKRING - QTY 1
  - ▲ DENOTES CRITICAL PARAMETER.
  - 2002/95/EC (ROHS) COMPLIANT

**E-SWITCH®**

B	15863	REVISE REDRAWIN	3/13/06	PH
REV	PCR NO	DESCRIPTION	DATE	BY

TITLE 700CSP7B60M2REH				
SCALE	DATE	DR	DWG	REV
2:1	4/13/2005	JEB	ST711055	B

THE INFORMATION CONTAINED IN THIS DOCUMENT IS PROPRIETARY TO E-SWITCH AND IS NOT TO BE COPIED OR TRANSFERRED