

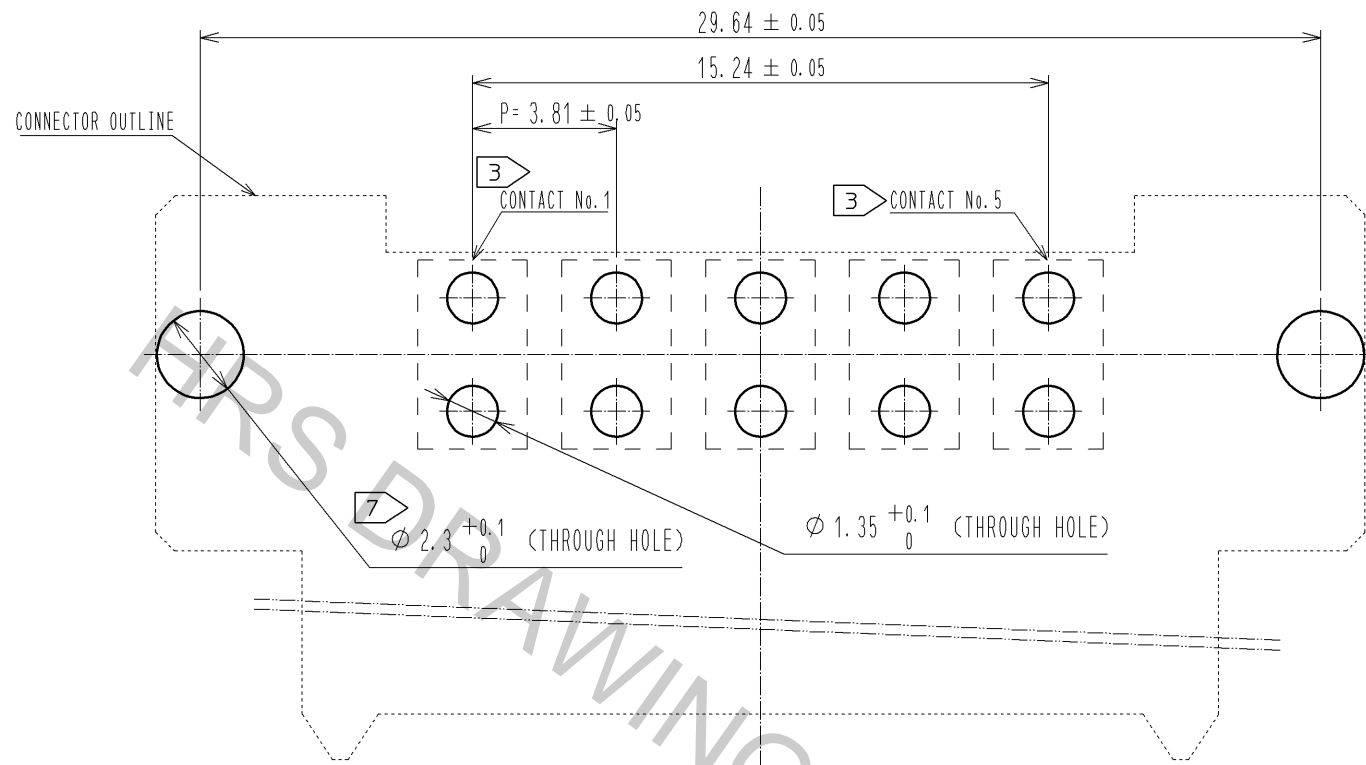
- NOTE
- ① THIS PRODUCT IS PACKAGED IN TRAY. (20pcs/TRAY)
 - ② BLEMISH AND HIT MARK CAN BE OCCURED THROUGH OUT THE MANUFACTURING PROCESS WHICH DOESN'T AFFECT QUALITY LEVEL. ALSO, BLACK SPOT COULD BE OBSERVED ON THE SURFACE OF HOUSING.
 - ③ FOR THE CONTACT NO., ADJACENT TWO PAIRS OF LEADS PLACED BACK-TO-BACK (4 LEADS IN TOTAL) COMPOSE ONE LINE.
 - ④ MISALIGNMENT ABSORBING RANGE: ±0.3mm max.
 - ⑤ THE DIMENSION IN PARENTHESES ARE FOR REFERENCES.
 - ⑥ LOT NO. IS INDICATED AT EITHER ONE OF THE POSITION AS SHOWN.
 - ⑦ PAY ATTENTION TO THE RECOMMENDED PCB THICKNESS AND FINISHED THROUGH-HOLE DIMENSIONS. LOW RETENTION FORCE TO PCB COULD INDUCE ANGLED MOUNTING DUE TO THE UNBALANCED CENTER OF THE CONNECTOR.

NO.	MATERIAL	FINISH . REMARKS	NO.	MATERIAL	FINISH . REMARKS
2	COPPER ALLOY	CONTACT AREA:GOLD-PLATING 0.1 μm LEAD AREA:TIN-PLATING 1.0 μm UNDER PLATING:NICKEL 1.0 μm	4	PHOSPHOR BRONZE	TIN-PLATING 3.0 μm UNDER PLATING:NICKEL 1.0 μm
1	POLYAMIDE	BLACK UL94V-0	3	COPPER ALLOY	CONTACT AREA:GOLD-PLATING 0.1 μm LEAD AREA:TIN-PLATING 1.0 μm UNDER PLATING:NICKEL 1.0 μm
5	POLYSTYRENE				

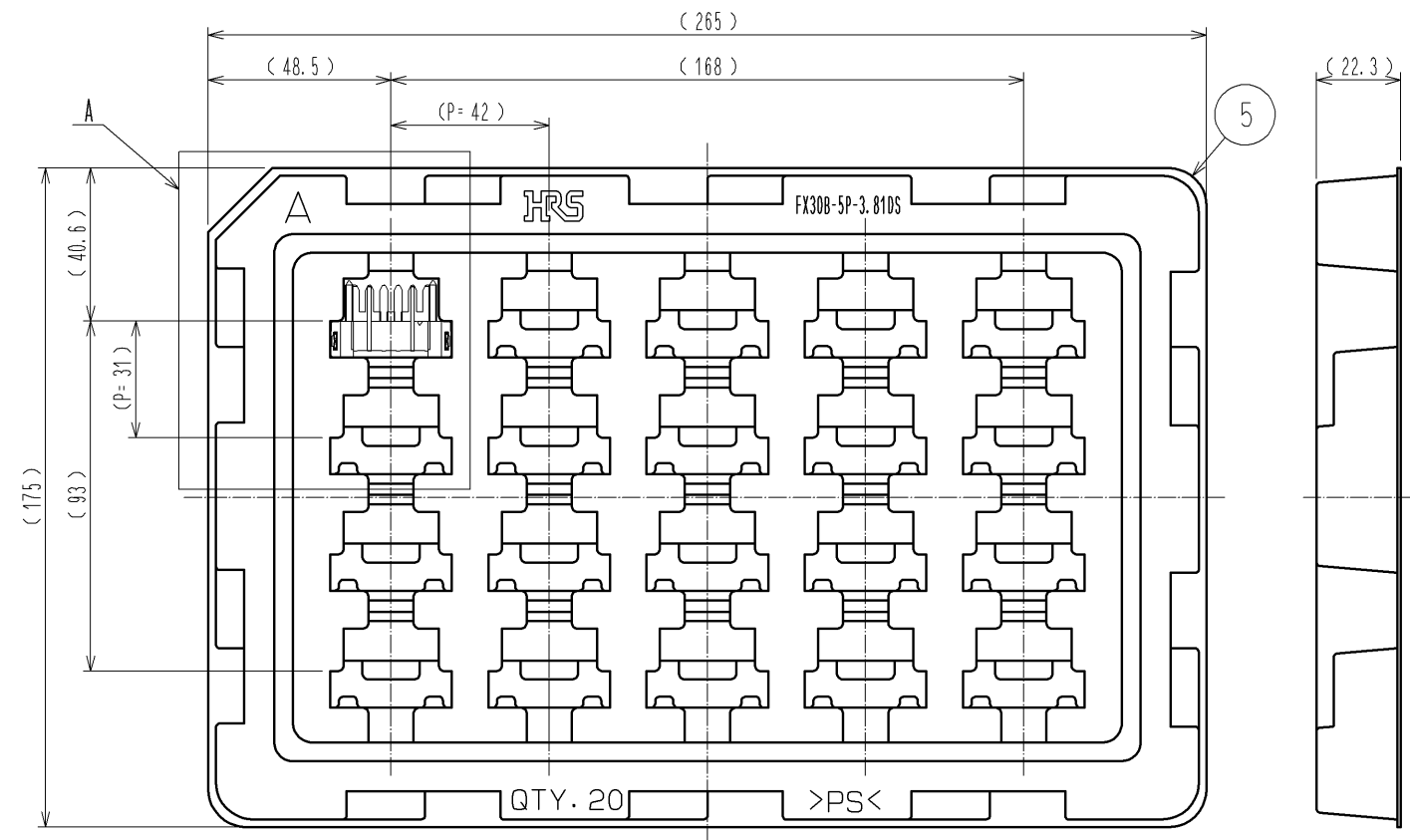
UNITS	SCALE	COUNT	DESCRIPTION OF REVISIONS	DESIGNED	CHECKED	DATE
mm	2 : 1	△	APPROVED : HS. OKAWA 13.03.13 CHECED : KI. HIROKAWA 13.03.12 DESIGNED : DK. AIMOTO 13.03.11 DRAWN : DK. AIMOTO 13.03.11			

DRAWING NO.	PART NO.	CODE NO.
EDC3-347271-00	FX30B-5P-3.81DS	CL570-3403-5-00

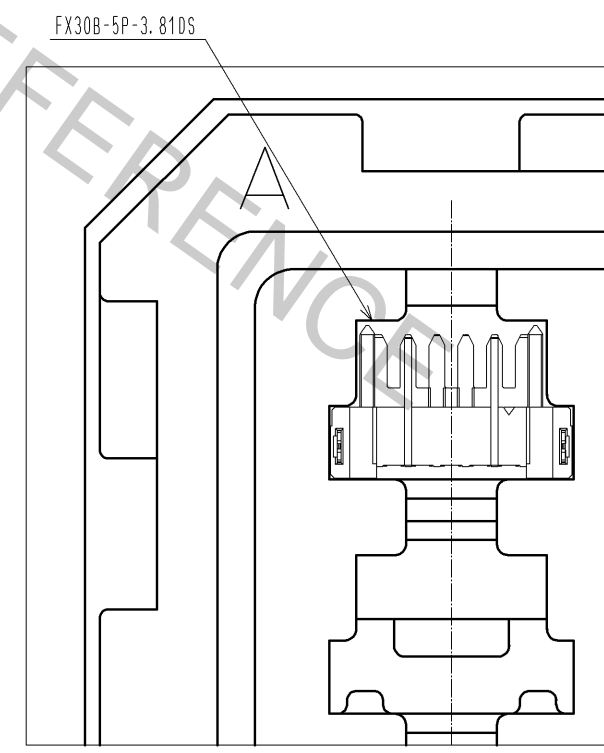
RECOMMENDED HOLE PATTERN DIMENSION OF PCB(5:1)
(CONNECTOR MOUNTING SIDE, PCB THICKNESS: t=1.6mm) \triangleleft 7



1 \triangleright DRAWING FOR PACKAGING(1:2)



A(1:1)



HRS	DRAWING NO.	EDC3-347271-00	\triangleleft 2/2
	PART NO.	FX30B-5P-3.81DS	
	CODE NO.	CL570-3403-5-00	