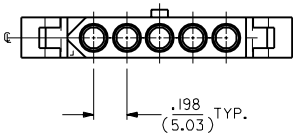
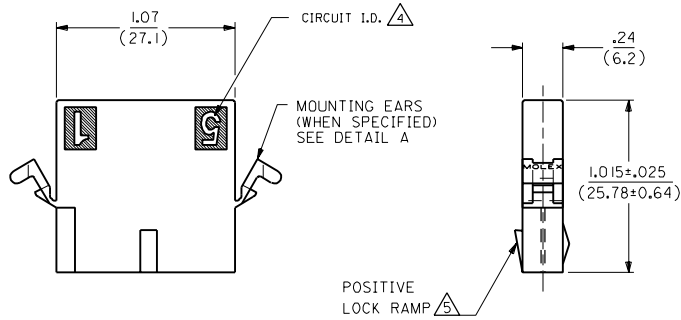
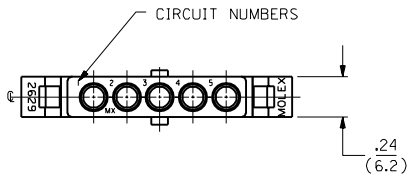
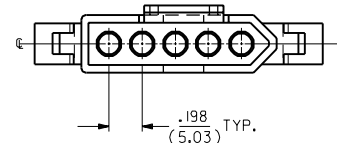
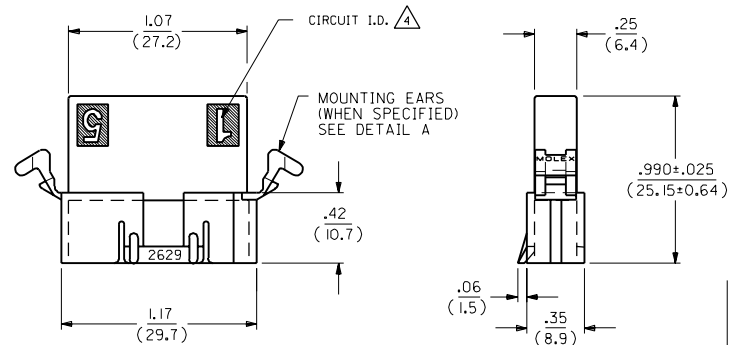
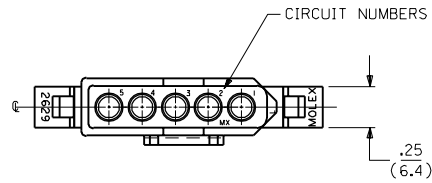


RECEPTACLE



VIEW OF RECEPTACLE VERSION
WITH PASSIVE LOCK RAMPS

PLUG



J	REVISED PER ECN # U61508 05/31/96 CM
I	X-REMOVE -R2 ECN # U6 1080 3-6-96 RW
K	ADD PASSIVE LOCKS ECN # U5 0529 11-30-94 RW
J	ADD -P2 W/EDP # ECR U3 0450 GC 4/1/93 RW
I	X-REMOVE ECR U2 1105 GC 1/29/92 RW
HI	ADD -C MAT'L PER ECR U2 0741 GC 5/7/92 RW
H	REVISE PER ECR U1 2237 GC 1/9/92 RW
G	REVISED & REDRAWN ECR # UB1801 KBW 02-03-89 RW

2	J	
1	J	

UNLESS OTHERWISE SPECIFIED TOLERANCES: ANGULAR ± .005

INCH	METRIC
3 PLACE ± .010	---
2 PLACE ± .014	± 0.25
1 PLACE ---	± 0.35

DRAFT WHERE APPLICABLE MUST REMAIN WITHIN DIMENSIONS

THIS DRAWING CONTAINS INFORMATION THAT IS PROPRIETARY TO MOLEX INC. AND SHOULD NOT BE USED WITHOUT WRITTEN PERMISSION.

MOLEX INCORPORATED
LITTLE ROCK, AR 72069 U.S.A.

2629

REVISIONS

MFG.	SH.	REV.	LTR.
------	-----	------	------

REVISE ONLY ON CAD SYSTEM

TITLE: .093/(2.36) HOUSINGS PLUG & RECEPTACLE 5 CIRCUIT ± .198/(5.03)C

MOLEX INCORPORATED

FILE NAME: S26295X1.DWG

SCALE: 2:1

DATE: 2/3/89

SHEET NO. 1 OF 2

DRWG. NO. SD-2629-*

PLUG		RECEPTACLE	
ORDER NO	ENG NO	ORDER NO	ENG NO
03-09-2057	2629-P1	03-09-1057	2629-R1
PRELIMINARY	2629-P	PRELIMINARY	2629-R
		03-09-1054	2629-R2

LEGEND:

2629-****-*

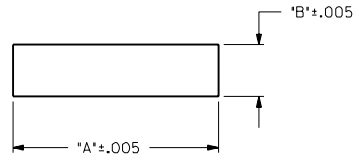
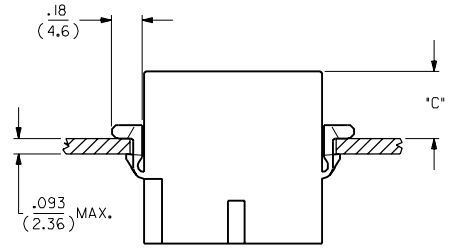
TYPE: _____
P = PLUG
R = RECEPTACLE

PLUG FEATURES: _____
BLANK = WITH PREBENT EARS
1 = WITHOUT EARS

RECEPTACLE FEATURES: _____
BLANK = WITH PREBENT EARS, WITH POSITIVE LOCK RAMP
1 = WITHOUT EARS, WITH POSITIVE LOCK RAMP
2 = WITHOUT EARS, WITH PASSIVE LOCK RAMPS

COLOR: _____
BLANK = NATURAL COLOR
AM = AMBER BK = BLACK BU = BLUE
BN = BROWN CY = GRAY GN = GREEN
OR = ORANGE RD = RED YW = YELLOW

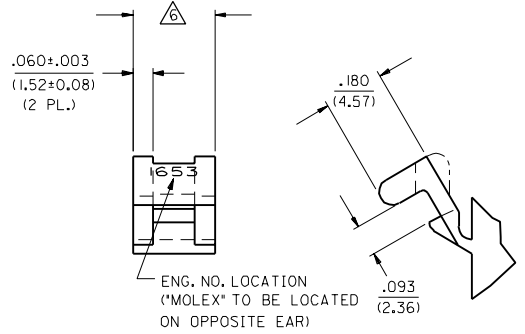
MATERIAL: _____
BLANK = NYLON TYPE 66, 94V-2 PER SMES-128-A-*



RECOMMENDED PANEL OPENING

HOUSING	DIM. 'A'	DIM. 'B'	'C' PREBENT EAR
PLUG	1.33/(13.78)	.42/(10.67)	.40/(10.1)
RECEPT.	1.23/(31.24)	.31/(7.87)	.42/(10.6)

- NOTES:
- MOLEX PRODUCT SPEC 02-09 APPLIES.
 - 2629-P* (PLUG) WILL ACCEPT 2629-R* 5 CIRCUIT RECEPTACLES OR 1490-R* 4 CIRCUIT RECEPTACLE.
 - ACCEPTS MOLEX .093 SERIES TERMINALS.
 - CIRCUIT I.D. NUMBERS ON HOUSING APPEAR ON PARTS FROM TOOLS BUILT AFTER 1/6/92.
 - LOCK RAMP ON THIS SIDE OF PART AVAILABLE IN EITHER A POSITIVE LOCK RAMP OR PASSIVE LOCK RAMP STYLE.
 - FOR DIMENSION, SEE SHEET 1.



DETAIL A
.093/(2.36) PREBENT MOUNTING EAR
(SCALE 4:1)

DIMENSIONS SHOWN METRIC (INCH)		UNLESS OTHERWISE SPECIFIED TOLERANCES: ANGULAR ± .040°		REVISIONS		REVISIONS		REVISIONS		REVISIONS		REVISIONS		REVISIONS		REVISIONS		REVISIONS			
INCH	METRIC	INCH	METRIC	NO.	DATE	BY	DATE	BY	DATE	BY	DATE	BY	DATE	BY	DATE	BY	DATE	BY	DATE		
3 PLACE ± .010	---	1	---																		
2 PLACE ± .014	± 0.25	1	---																		
1 PLACE ---	± 0.35																				
DRAFT WHERE APPLICABLE MUST REMAIN WITHIN DIMENSIONS				PART NO. MOLEX INCORPORATED		SHEET NO. 2		DATE 2/3/89		FILE NAME		DRAWING NO.		DIV.		SIZE		CP		C	
DRAWN BY: KBW				CHECKED BY: RW		SCALE: 2:1		APP'D BY: RAS		TITLE: .093/(2.36) HOUSINGS PLUG & RECEPTACLE 5 CIRCUIT .198/(5.03)C		SEE CHART		SD-2629-*							