

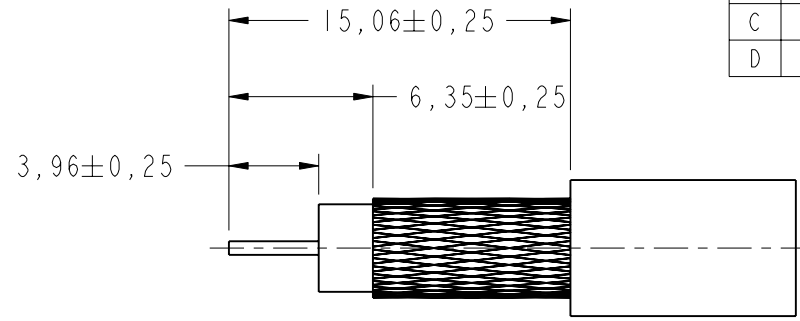
NOTES

1. MATERIALS AND FINISHES(PLATING THICKNESS IN MICRO-INCHES):  
 BODY - BRASS, NICKEL PLATING  
 CONTACT - BRASS, GOLD PLATING  
 INSULATOR - PTFE, NATURAL
2. ELECTRICAL:  
 A. IMPEDANCE: 50 OHM
3. MECHANICAL:  
 A. TEMPERATURE RANGE: - 65°C to +165°C
4. WHEN CRIMPING CONTACT PIN TO CABLE, CRIMP WITH AMPHENOL TOOL 227-944 (M22520/5-01) AND DIE SET 227-1221-32, CAVITY 'B' (OR CTL-2, .068 HEX)
5. WHEN CRIMPING FERRULE TO CABLE, CRIMP WITH AMPHENOL TOOL 277-944 (M22520/5-01) AND DIE SET 227-1221-32 CAVITY 'A' (OR CTL-2, .324 HEX)
6. CABLE:  
 USE WITH BELDEN 8281 & 8281B & 8281F
7. MARK PACKAGING BAG "31-321-1012, DATE CODE (WW/YY)"

THIRD ANGLE PROJ.

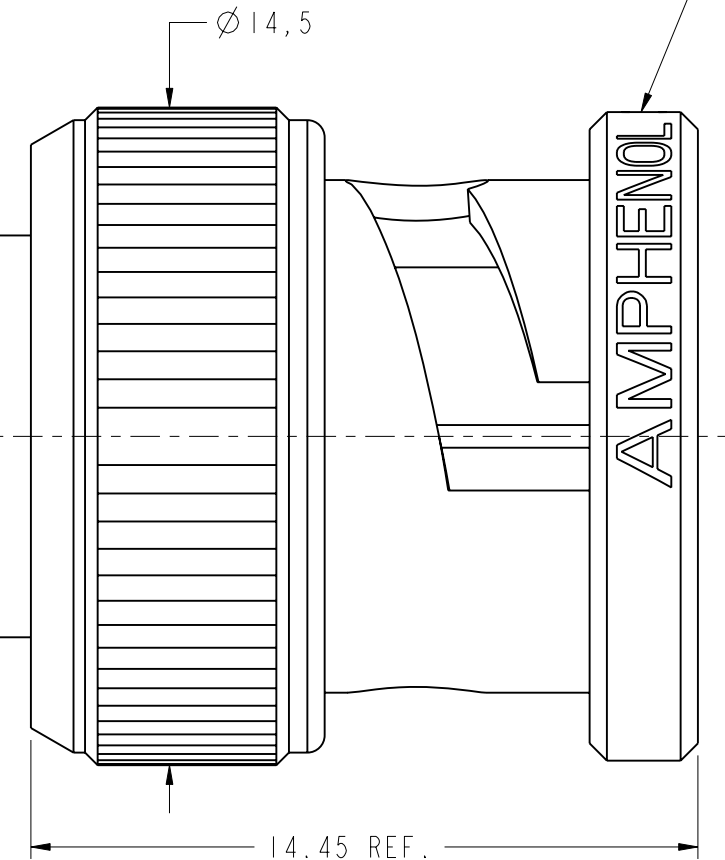
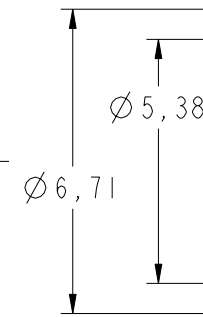
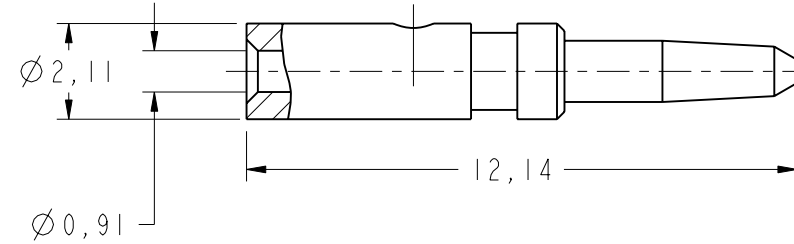
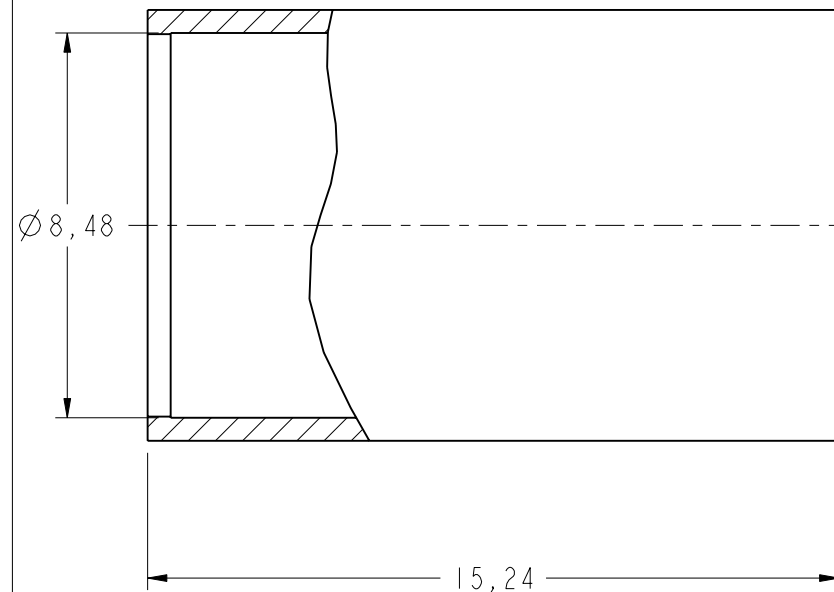
REVISIONS

REV	DESCRIPTION	DATE	ECO	APPR
A	RELEASE TO MFG.	3/29/07	46474	CPM/
B	SEE SHEET I	9/24/07	46760	CPM/
C	SEE SHEET I	31-Dec-09	47921	SH
D	NOTE 4 & 5 WERE CHANGED\RD-DM11071101R3	05-Aug-11	48675	SH



RECOMMENDED CABLE STRIPPING DIM'S

STAMP "AMPHENOL 31-321-1012"



50 OHM INTERFACE  
 75 OHM TERMINATION

**CUSTOMER OUTLINE DRAWING**  
 ALL OTHER SHEETS ARE FOR INTERNAL USE ONLY

UNLESS OTHERWISE SPECIFIED, DIMENSIONS ARE IN METRIC AND TOLERANCES ARE: <0.5mm ±0.05mm    0.5 - 6mm ±0.1mm    6 - 30mm ±0.2mm    30 - 120mm ±0.3mm    ANGLES ±1°  NOTICE - These drawings, specifications, or other data (1) are, and remain the property of Amphenol corp. (2) must be returned upon request; and (3) are confidential and not to be disclosed to any person other than those to whom they are given by Amphenol Corp. the finishing of these drawings, specifications, or other data by Amphenol Corp., or to any other person to anyone for any purpose is not to be regarded by implication or otherwise in any manner licensing, granting rights to permitting such holder or any other person to manufacture, use or sell any product, process or design, patented or otherwise, that may in any way be related to or disclosed by said drawings, specifications, or other data.	MATERIAL	DRAWN R.MAO	DATE 05-Aug-11	TITLE BNC CRIMP PLUG (FOR RG59 DOUBLE BRAIDED TYPE CABLE)	Amphenol RF Danbury CT USA, Tainan, Taiwan, Shenzhen, China www.amphenolrf.com	
	REFERENCE AND CONFIGURATION LEVEL: □□□□	ENGINEER O.BARTHELME	DATE 2/9/07			SCALE: 3.0:1.0   SHEET 2 OF 2
	FINISH	APPROVED S.HSIEH	DATE 05-Aug-11	DWG SIZE B	REV D	DRAWING NO.31-321-1012
						ITEM NO.31-321-1012 PART NO.31-321-1012