

THE INFORMATION CONTAINED HEREIN IS CONSIDERED "PROPRIETARY" TO BEL FUSE INC. AND SHALL NOT BE COPIED, REPRODUCED OR DISCLOSED WITHOUT THE WRITTEN APPROVAL OF BEL FUSE INC.

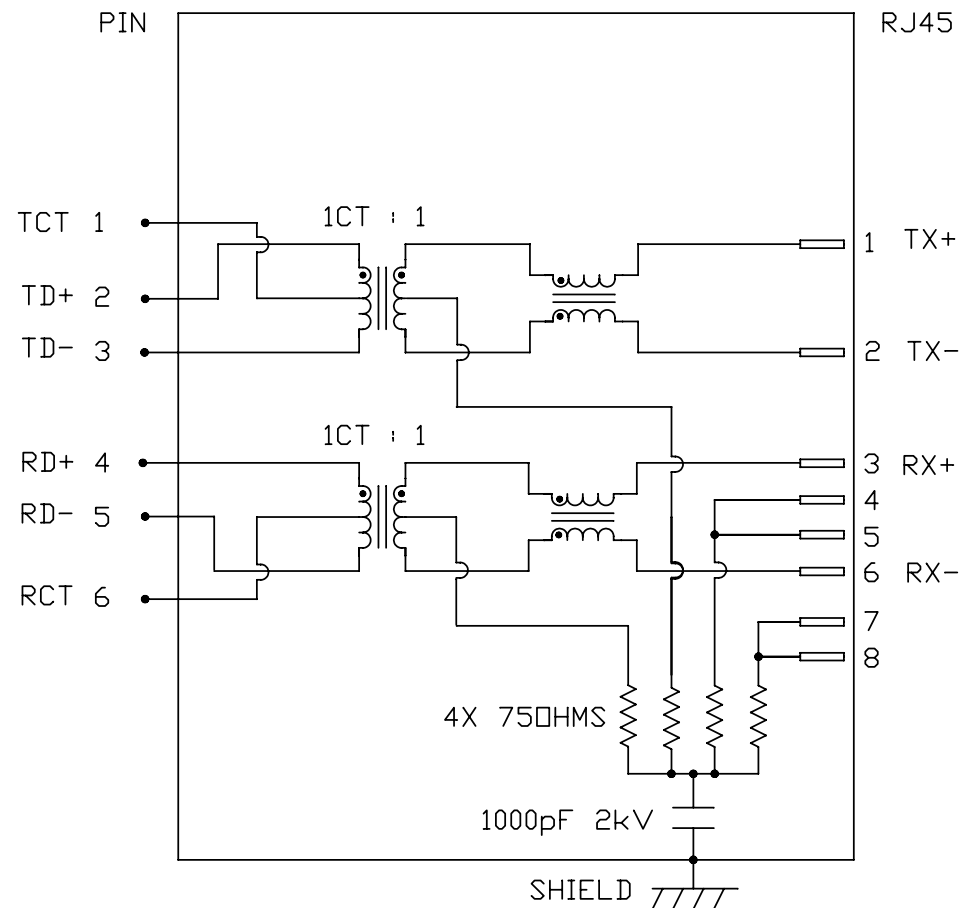
RoHS



ELECTRICAL CHARACTERISTICS @ 25°C

<p> <b>URNS RATIO</b>            TX 1CT : 1            RX 1CT : 1  <b>DCL @ 100kHz/100mVRMS</b>            8mA DC BIAS 350µH MIN.  <b>INS. LOSS</b>            1MHz TO 100MHz -1.0 dB MAX  <b>RET. LOSS (MIN)</b>            1MHz-30MHz -18 dB            30MHz-60MHz <math>-18+20\text{LOG}(F/30\text{MHz})</math> dB            60MHz-80MHz -12 dB  <b>CROSS TALK (TX - RX)</b>            500kHz-100MHz -35 dB MIN  <b>CM TO CM REJ</b>            100kHz-100MHz -30 dB MIN  <b>CM TO DM REJ</b>            100kHz-100MHz -40 dB MIN  <b>HIPOT (Isolation Voltage):</b>            100% OF PRODUCTION TESTED TO COMPLY WITH IEEE 802.3 ISOLATION REQUIREMENTS. 1500 Vrms  <b>OPERATING TEMPERATURE:</b> -40 TO +85°C         </p>
--

SCHEMATIC



<b>ORIGINATED BY</b>	<b>DATE</b>
CHOW WANCHUNG	2012-08-03
<b>DRAWN BY</b>	<b>DATE</b>
TAN QIGUANG	2012-08-03

<b>TITLE</b>	MagJack® ( Extend Temp. AND 4 CORE WITH CM terminal ) 08B1-1X1T-36-F PATENTED
--------------	--

<b>PART NO. / DRAWING NO.</b>	08B11X1T36-F
<b>FILE NAME</b>	08B11X1T36-F_D.DWG

<b>STANDARD DIM. TOL. IN INCH</b>	
.X	
.XX	
.XXX	

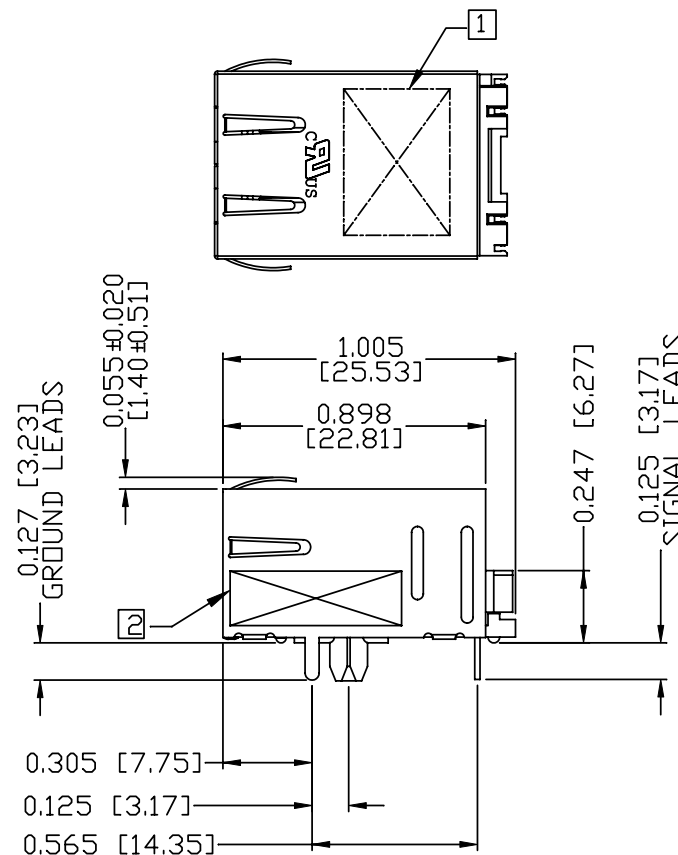
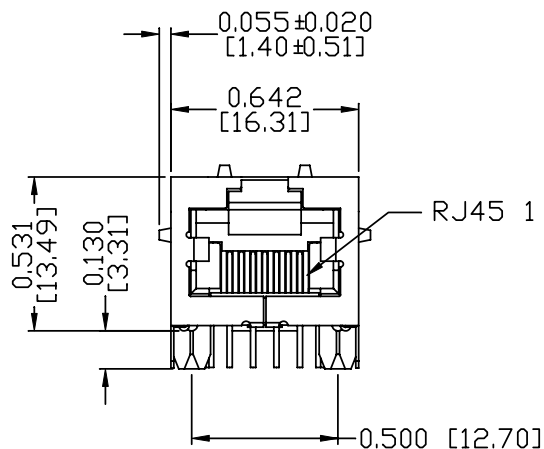
<b>[ ] METRIC DIM. AS REFERENCE</b>	
UNIT : INCH [mm]	REV. : D
SCALE : N/A	SIZE : A4
	PAGE : 2



THE INFORMATION CONTAINED HEREIN IS CONSIDERED "PROPRIETARY" TO BEL FUSE INC. AND SHALL NOT BE COPIED, REPRODUCED OR DISCLOSED WITHOUT THE WRITTEN APPROVAL OF BEL FUSE INC.

### MECHANICAL SPECIFICATION

RoHS



**NOTES:**

- PLASTIC HOUSING: THERMOPLASTIC PBT  
FLAMMABILITY RATING UL 94V-0
- CONTACTS PLATING: 15 MICRO-INCH HARD GOLD PLATING OR EQUIVALENT.
- PINS: TIN-COATED COPPER WIRE, DIA 0.018 INCH.
- METAL SHIELD: PRE-PLATED NICKEL ON COPPER ALLOY.  
(ALL GROUND LEADS ARE SOLDER DIPPED)

- MARK PART WITH MFG LOGO, MFG NAME, PART NUMBER, AND DATE CODE.
- "PATENTED" MARKING.

- c UL RECOGNIZED - FILE #E196366 AND E169987.
- 3. THE PRODUCT IS RoHS COMPLIANT.
- 4. JACK CAVITY CONFORMS TO FCC RULES AND REGULATIONS, PART 68 SUBPART F.
- 5. THE PRODUCT IS PATENTED, THE PATENT NUMBER IS U.S. PAT. 5,736,910.

<b>ORIGINATED BY</b> ANTON LIAO	<b>DATE</b> 2012-08-03	<b>TITLE</b> MagJack ® ( Extend Temp. AND 4 CORE WITH CM terminal )	<b>PART NO. / DRAWING NO.</b> 08B11X1T36-F	<b>STANDARD DIM. TOL. IN INCH</b>	<b>[ ] METRIC DIM. AS REFERENCE</b>
<b>DRAWN BY</b> HE ZHEN	<b>DATE</b> 2012-08-03		<b>FILE NAME</b> 08B11X1T36-F_D.DWG	.X .XX .XXX	UNIT : INCH [mm] SCALE : N/A 

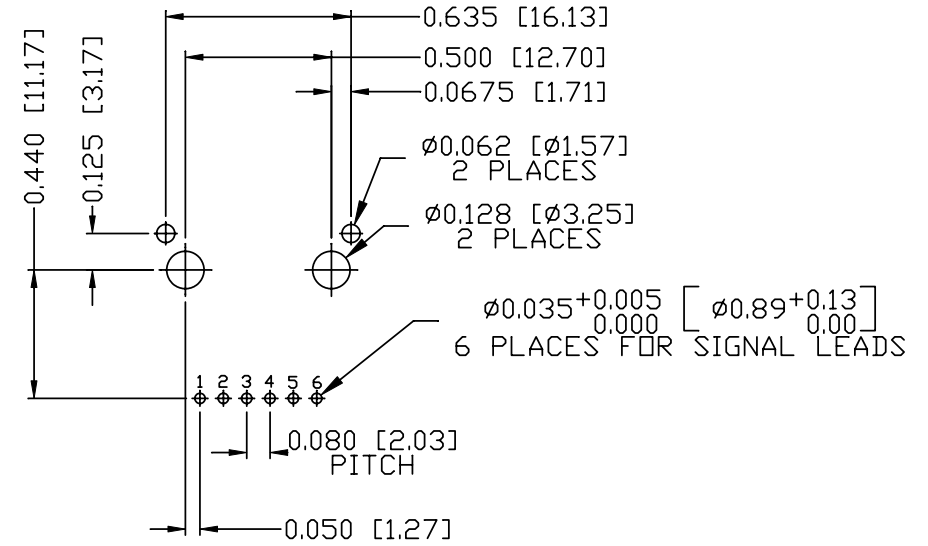
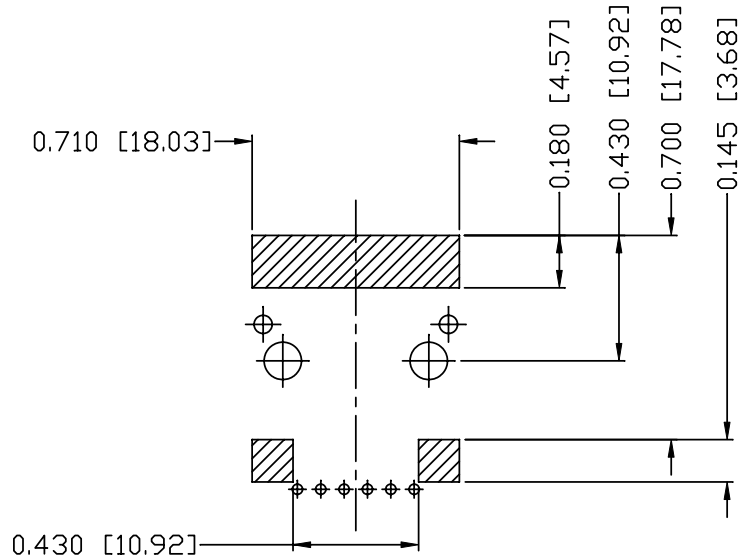


THE INFORMATION CONTAINED HEREIN IS CONSIDERED 'PROPRIETARY' TO BEL FUSE INC. AND SHALL NOT BE COPIED, REPRODUCED OR DISCLOSED WITHOUT THE WRITTEN APPROVAL OF BEL FUSE INC.

RoHS



RECOMMENDED PCB FOOTPRINT  
COMPONENT SIDE VIEW



NOTES:

THE SHADED AREA ON THE CUSTOMER BOARD ARE RECOMMENDED TO BE CLEAR OFF ANY VIA HOLE OR COMPONENT PAD.

ORIGINATED BY	DATE	TITLE	PART NO. / DRAWING NO.	STANDARD DIM. TOL. IN INCH	[ ] METRIC DIM. AS REFERENCE
ANTON LIAO	2012-08-03	MagJack © ( Extend Temp. AND 4 CORE WITH CM terminal )	08B11X1T36-F	.X	UNIT : INCH [mm] REV. : D
DRAWN BY	DATE	08B1-1X1T-36-F PATENTED	FILE NAME	.XX	SCALE : N/A SIZE : A4
HE ZHEN	2012-08-03		08B11X1T36-F_D.DWG	.XXX ±0.004	SCALE : N/A SIZE : A4 PAGE : 4

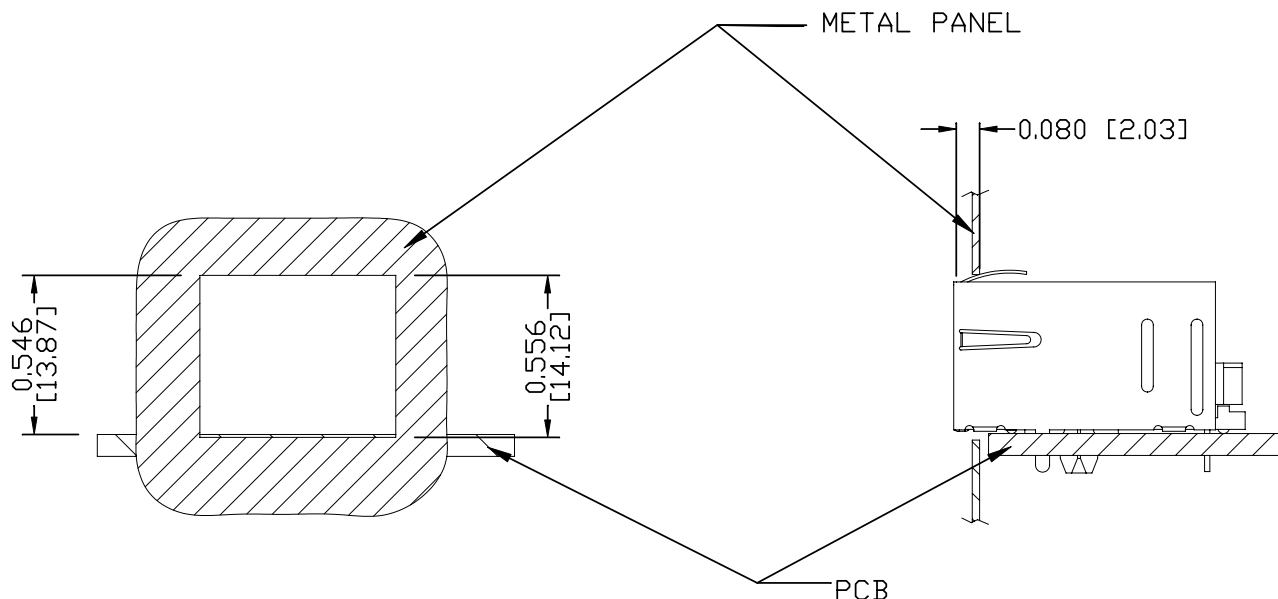


THE INFORMATION CONTAINED HEREIN IS CONSIDERED "PROPRIETARY" TO BEL FUSE INC. AND SHALL NOT BE COPIED, REPRODUCED OR DISCLOSED WITHOUT THE WRITTEN APPROVAL OF BEL FUSE INC.

RoHS



### SUGGESTED PANEL OPENING



**NOTE:**

THE DISTANCE OF PANEL INSIDE SURFACE RELATIVE TO FRONT SURFACE OF PART IS ONLY A SUGGESTION. IN CASE THIS DISTANCE IS DIFFERENT, THE REQUIRED PANEL OPENING DIMENSIONS CHANGE ACCORDINGLY.

PACKING INFORMATION

PACKING TRAY : 0200-9999-D4(TOP)

0200-9999-D5(BOTTOM)

PACKING QUANTITY : 60 PCS FINISHED GOODS PER TRAY

11 TRAYS (660 PCS FINISHED GOODS) PER CARTON BOX

NOTE : CARDBOARDS ARE PLACED BETWEEN LAYERS OF PACKING TRAY INSIDE CARTON BOX (INCLUDE THE UPPERMOST AND LOWERMOST TRAY)

<b>ORIGINATED BY</b> ANTON LIAO	<b>DATE</b> 2012-08-03	<b>TITLE</b> MagJack © ( Extend Temp. AND 4 CORE WITH CM terminal )	<b>PART NO. / DRAWING NO.</b> 08B11X1T36-F	<b>STANDARD DIM. TOL. IN INCH</b> .X .XX .XXX	<b>[ ] METRIC DIM. AS REFERENCE</b> UNIT : INCH [mm] SCALE : N/A ⊕	<b>REV. : D</b> <b>SIZE : A4</b> <b>PAGE : 5</b>	<b>bel</b> COMPONENTS FOR A CONNECTED PLANET
<b>DRAWN BY</b> HE ZHEN	<b>DATE</b> 2012-08-03	<b>TITLE</b> 08B1-1X1T-36-F PATENTED	<b>FILE NAME</b> 08B11X1T36-F_D.DWG	±0.004			