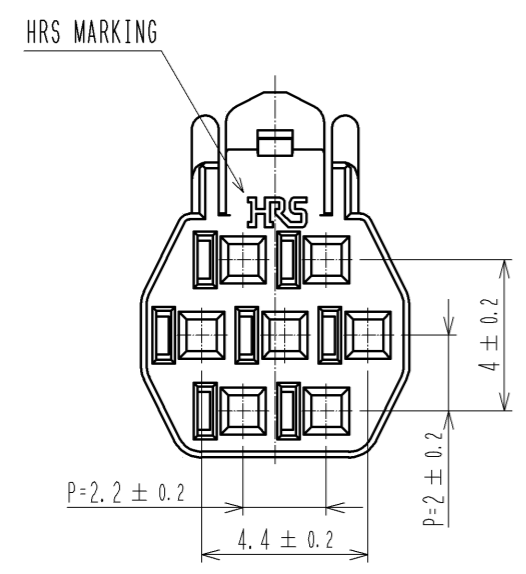
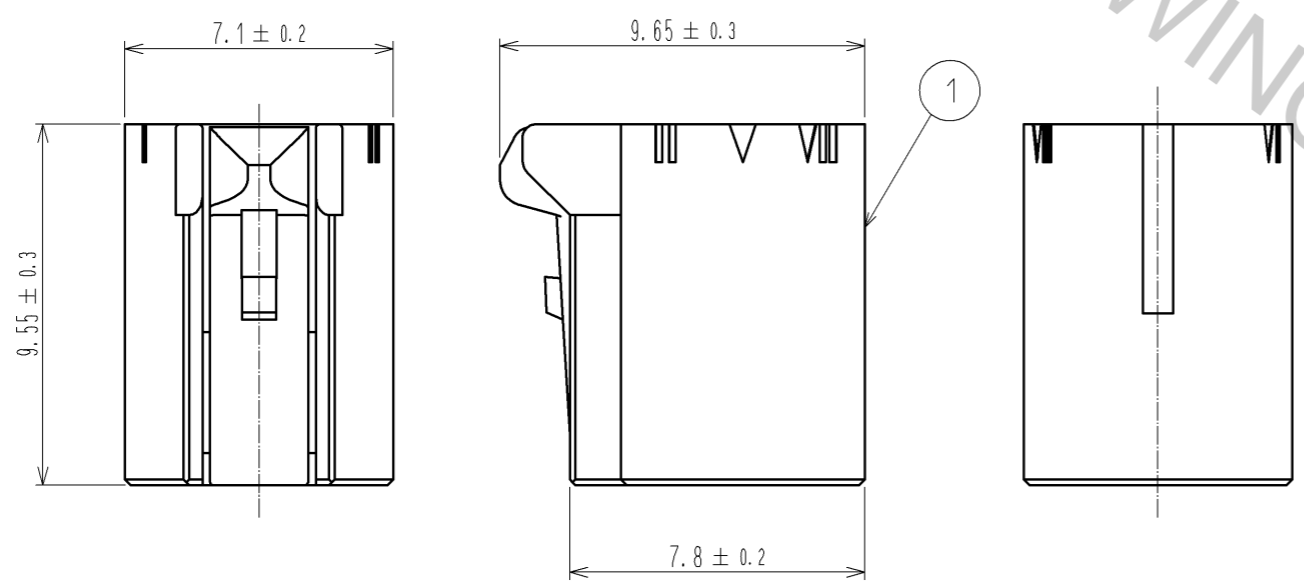
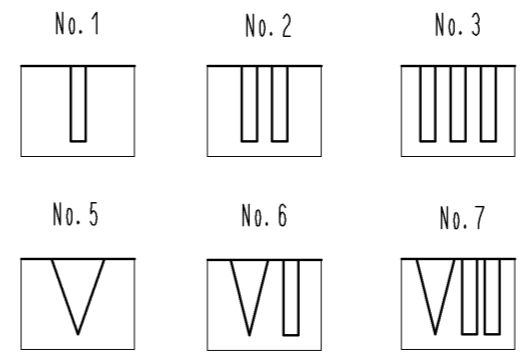
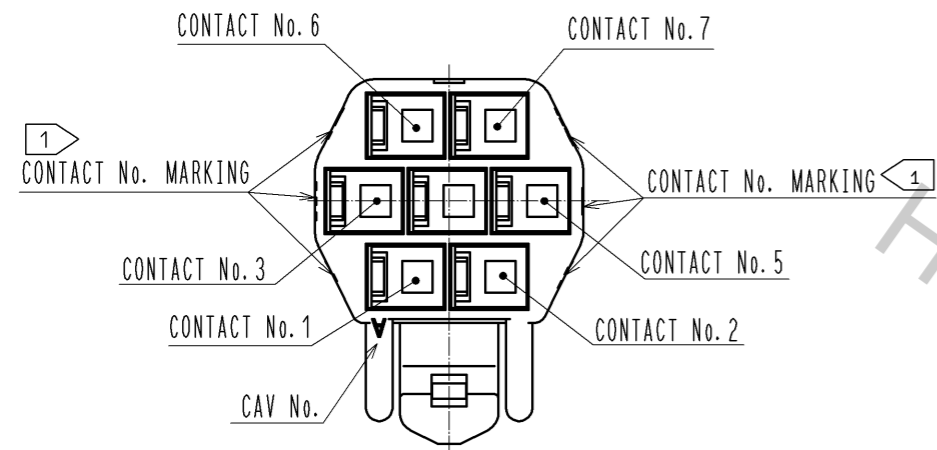
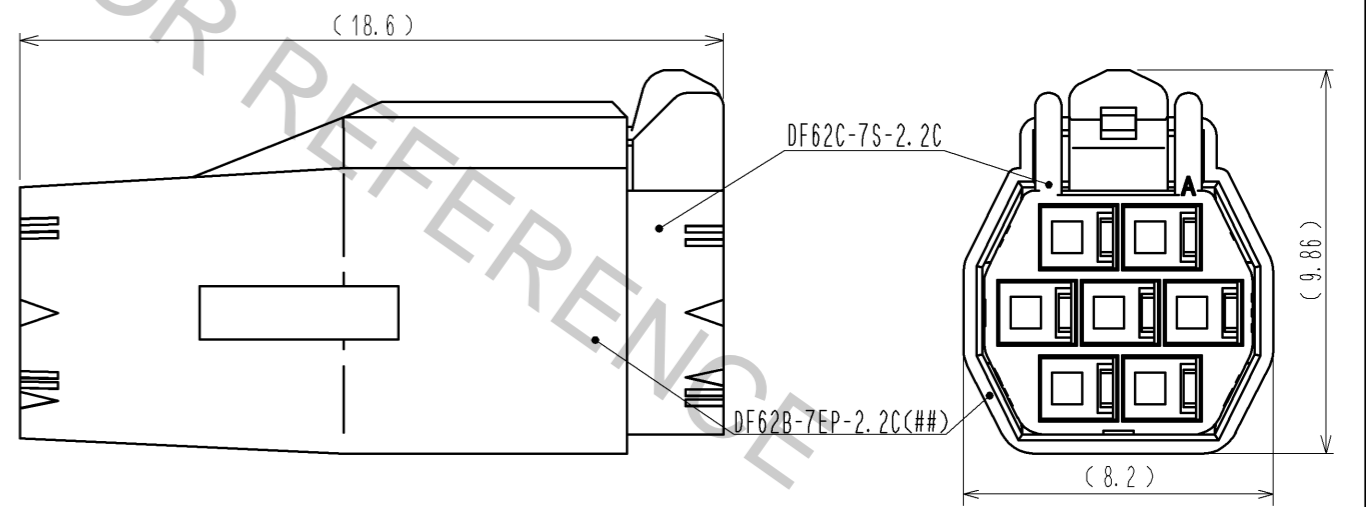


Apr.1.2017 Copyright 2017 HIROSE ELECTRIC CO., LTD. All Rights Reserved.

1 FIGURE-1 CONTACT No. MARKING (10:1)



MATING FIGURE



NOTE. 1 MARKINGS AT THE INDICATED POSITIONS ARE CONTACT NO. MARKING. AND SHAPES ARE SHOWN IN FIGURE-1.  
 2. PER PACK : 100 PIECES.  
 3. THE DIMENSIONS IN PARENTHESIS ARE FOR REFERENCE.

|                           |  |                         |  |                  |  |                          |     |                 |         |      |
|---------------------------|--|-------------------------|--|------------------|--|--------------------------|-----|-----------------|---------|------|
| NO.                       |  | MATERIAL                |  | FINISH . REMARKS |  | 1                        | PBT | UL94V-0 (WHITE) |         |      |
| UNITS<br>mm               |  | SCALE<br>5 : 1          |  | COUNT            |  | DESCRIPTION OF REVISIONS |     | DESIGNED        | CHECKED | DATE |
| HIROSE ELECTRIC CO., LTD. |  | APPROVED : KI. AKIYAMA  |  | 13.05.28         |  | DRAWING NO.              |     | EDC3-351975-00  |         |      |
|                           |  | CHECKED : HK. UMEHARA   |  | 13.05.28         |  | PART NO.                 |     | DF62C-7S-2.2C   |         |      |
|                           |  | DESIGNED : TS. KUMAZAWA |  | 13.05.28         |  | CODE NO.                 |     | CL544-0570-4-00 |         |      |
|                           |  | DRAWN : TS. KUMAZAWA    |  | 13.05.28         |  |                          |     |                 |         |      |