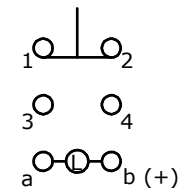
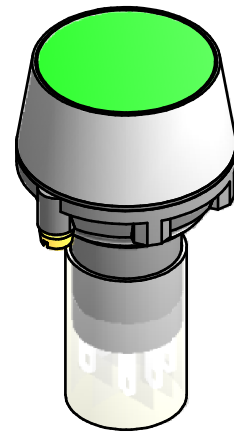
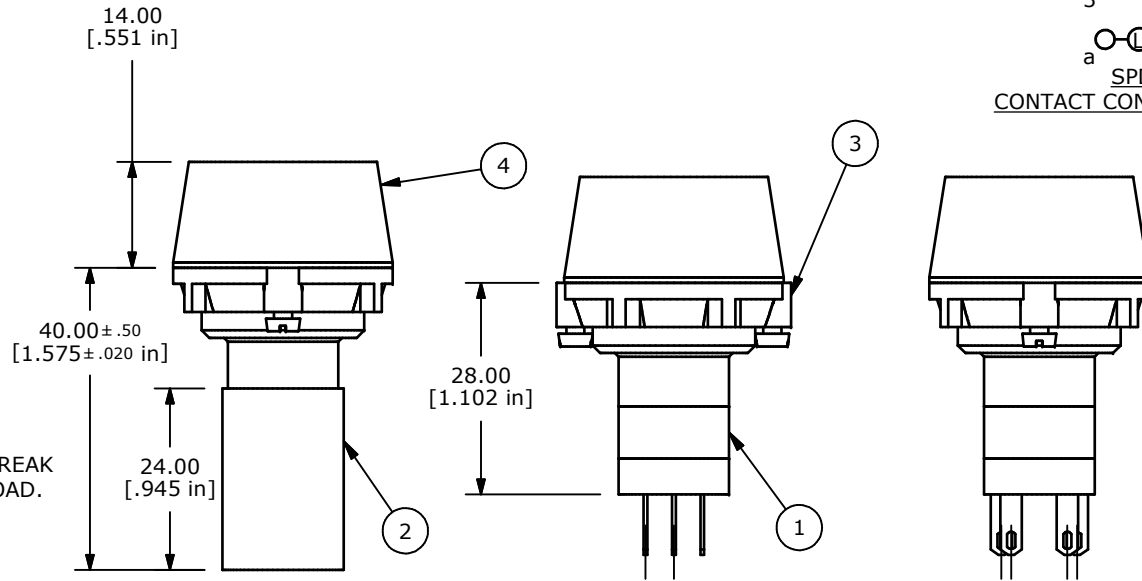


Parts List			
ITEM	QTY	PART NUMBER	DESCRIPTION
1	1	F060622	LAKOAU11
2	1	F051601	P16 PLASTIC TERM. PROTECTOR
3	1	F060250	29MM LA U1 NUT
4	1	F051701	29MM RING FOR LA SERIES
5	1	F060294	29MM GRN LENS OPAQUE
6	1	F050422	24VDC GRN LED

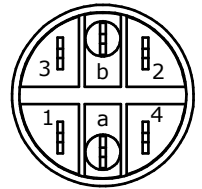


CONTACT CONFIGURATION

- NOTES:
- ALL DIMENSIONS IN MM [INCH].
 - GENERAL TOLERANCE: 0.0±0.24
0.00±0.25
 - TERM. NOS. FOR REF. ONLY.
 - RATING: 5A @250VAC
8A @125VAC
.2A @250VDC
6A @24VDC
 - ELECTRIC LIFE: 25,000 MAKE-OR-BREAK CYCLES AT FULL LOAD.
 - SEALED TO IP65
 - TRAVEL: 3.0MM FULL TRAVEL
 - OPERATING FORCE: 300 gf
 - INSULATION: 1,000 MΩ min.
 - DIELETRIC STRENGTH: 1,500V FOR 1 MIN
 - OPERATING TEMP: -25°C TO 55°C
 - LENS COLOR: GREEN
 - LAMP VOLTAGE: 24VDC LED (GREEN)
 - PACKAGE: BOX/20 PER
 - 2002/95/EC (ROHS) COMPLIANT
 - ▲ DENOTES CRITICAL PARAMETER



ISOMETRIC



A	18236	RELEASED FOR PRODUCTION	9/5/08	BLR
REV	PCR NO	DESCRIPTION	DATE	BY

THE INFORMATION CONTAINED IN THIS DOCUMENT IS PROPRIETARY TO E-SWITCH AND IS NOT TO BE COPIED OR TRANSFERRED

TITLE LAKOAU11KGRNGRN				
SCALE 1:1	DATE 9/5/2008	DR BLR	DWG XF0765P	REV A