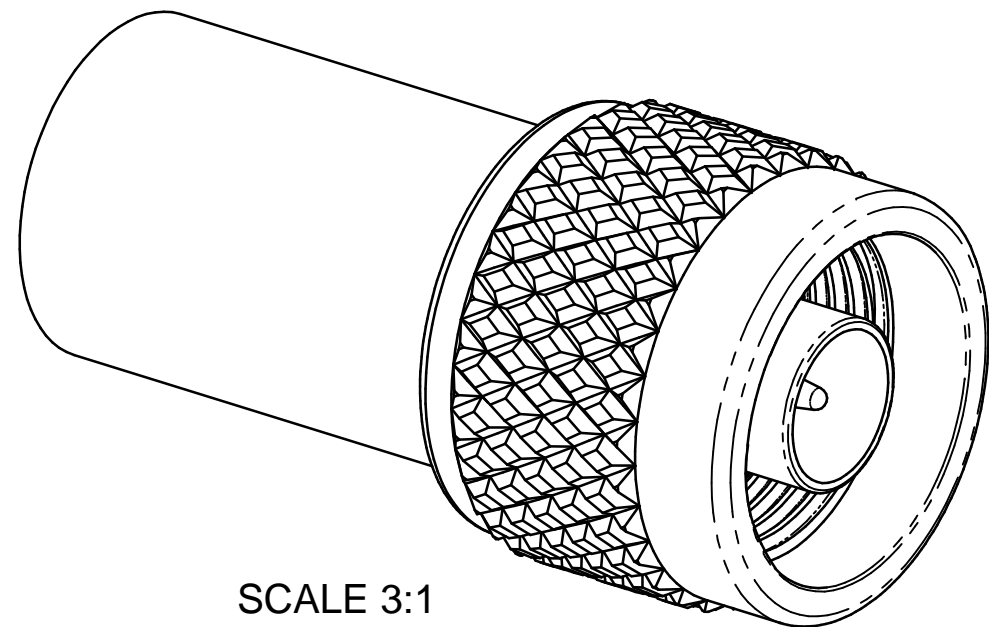
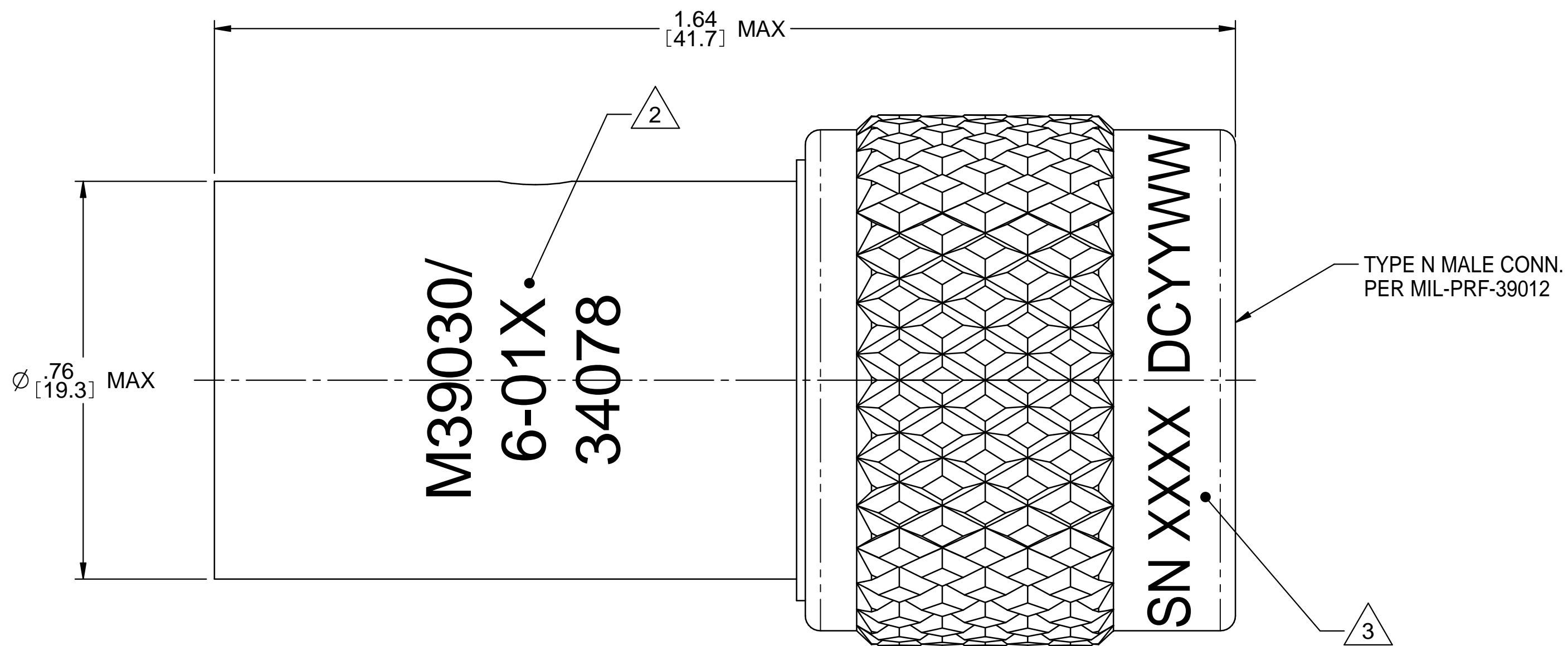


ZONE	REV	ECO	DESCRIPTION	APPR.	DATE
	E	18050			2/14/96
	E1		ADD TITLEBLOCK		7/7/05
	F	24430		PAK	10/17/12



SCALE 3:1



TYPE N MALE CONN.  
PER MIL-PRF-39012

NOTES: UNLESS OTHERWISE SPECIFIED.

1. SPECIFICATIONS:

- 1.1 FREQUENCY RANGE: DC TO 12.4 GHz
- 1.2 VSWR: DC TO 4.0 GHz: 1.05:1 MAX  
4.0 TO 12.4 GHz 1.20:1 MAX
- 1.3 POWER HANDLING: 5 WATTS AVG., 2.0 KILOWATT PEAK.  
DERATED LINEARLY FROM 100% AT 25C TO 10% AT  
SPECIFIED MAXIMUM AMBIENT OPERATING  
TEMPERATURE.
- 1.4 OPERATING TEMP. RANGE: -55°C TO +125°C
- 1.5 MAXIMUM WEIGHT: 3 OZ (85 GRAMS)

2. MARK UNIT AS SHOWN.

3. MARK COUPLING NUT AS SHOWN:  
SN XXXX = 4 DIGIT SERIAL NO  
DC YYWW = YEAR & WEEK DATE CODE

4. DIMENSIONS IN BRACKETS ARE MILLIMETERS.

OUTLINE DRAWING

	Model No. <b>M39030/6-01(N OR S)</b>		<b>MIDWEST MICROWAVE</b>		
	Cage Code <b>34078</b>		Title <b>TERMINATION</b>	Material	
<small>This PROPRIETARY Document is property of Emerson Network Power Connectivity Solutions. It is confidential in nature, non-transferable, and issued with the clear understanding that it is not traced or copied without permission and is returnable upon demand.</small>	UNLESS OTHERWISE SPECIFIED UNITS: INCHES .XX ±.01 .XXX ±.003 .XXXX ±.0010 ANGLES ±1°00'		3RD ANGLE PROJECTION - ⊕ -		Drawing No. <b>M39030/6-01(N OR S)-01</b>
	Drawn by <b>CWW</b>	Date <b>10/30/12</b>	Rev. <b>F</b>	Finish	
	Approved by <b>PAK</b>	Date <b>10/31/12</b>	Size <b>C</b>	DO NOT SCALE DRAWING	Scale 6:1