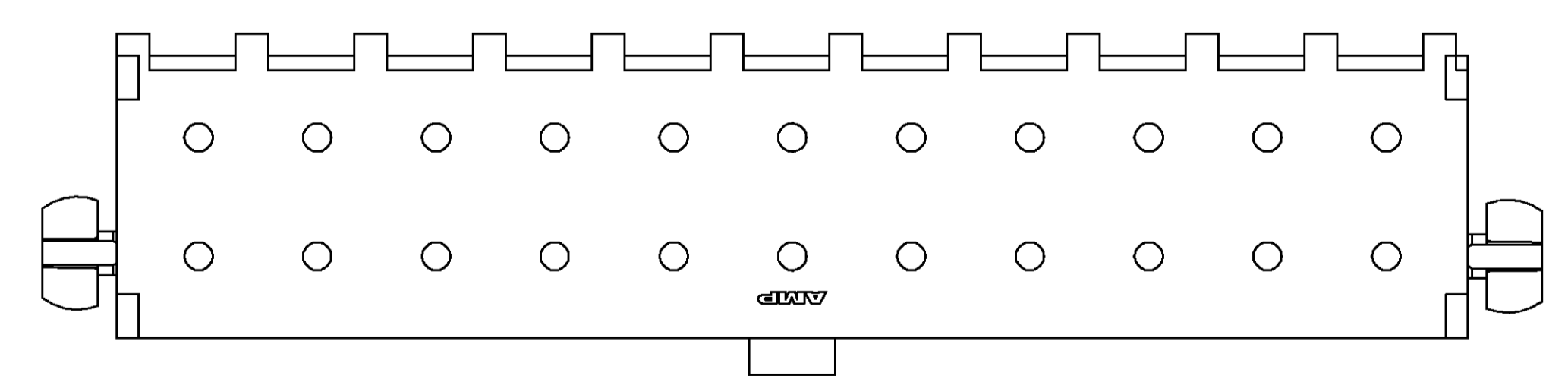
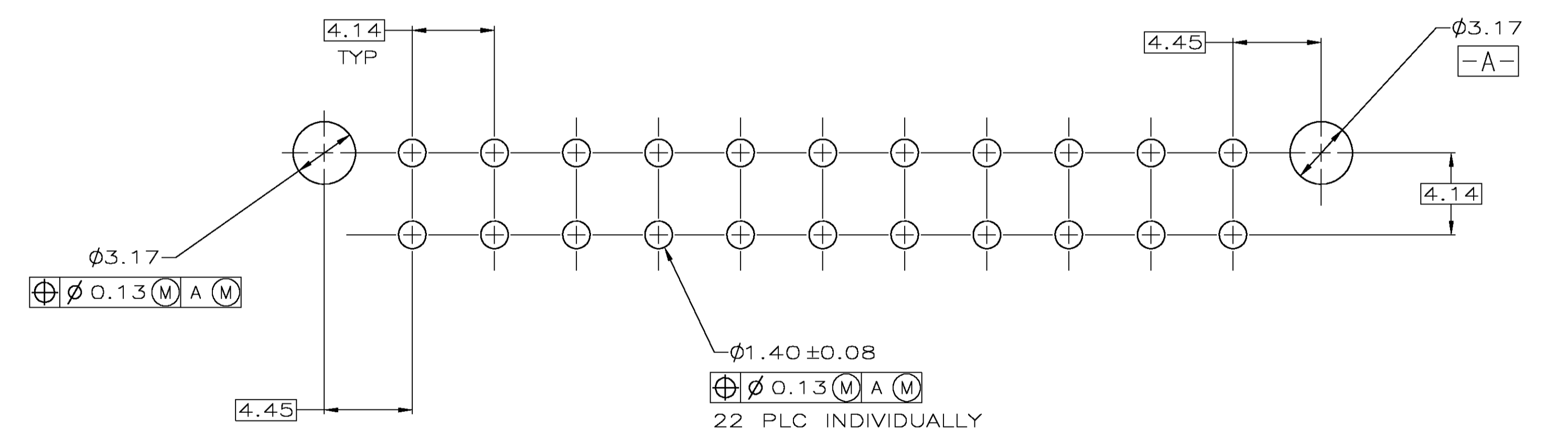
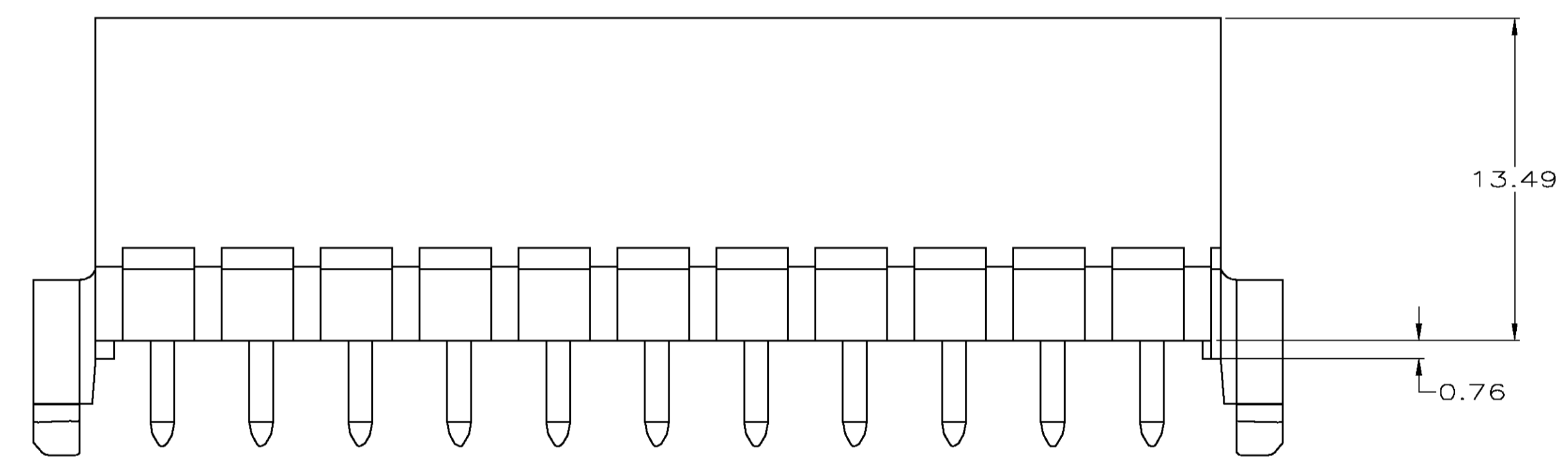
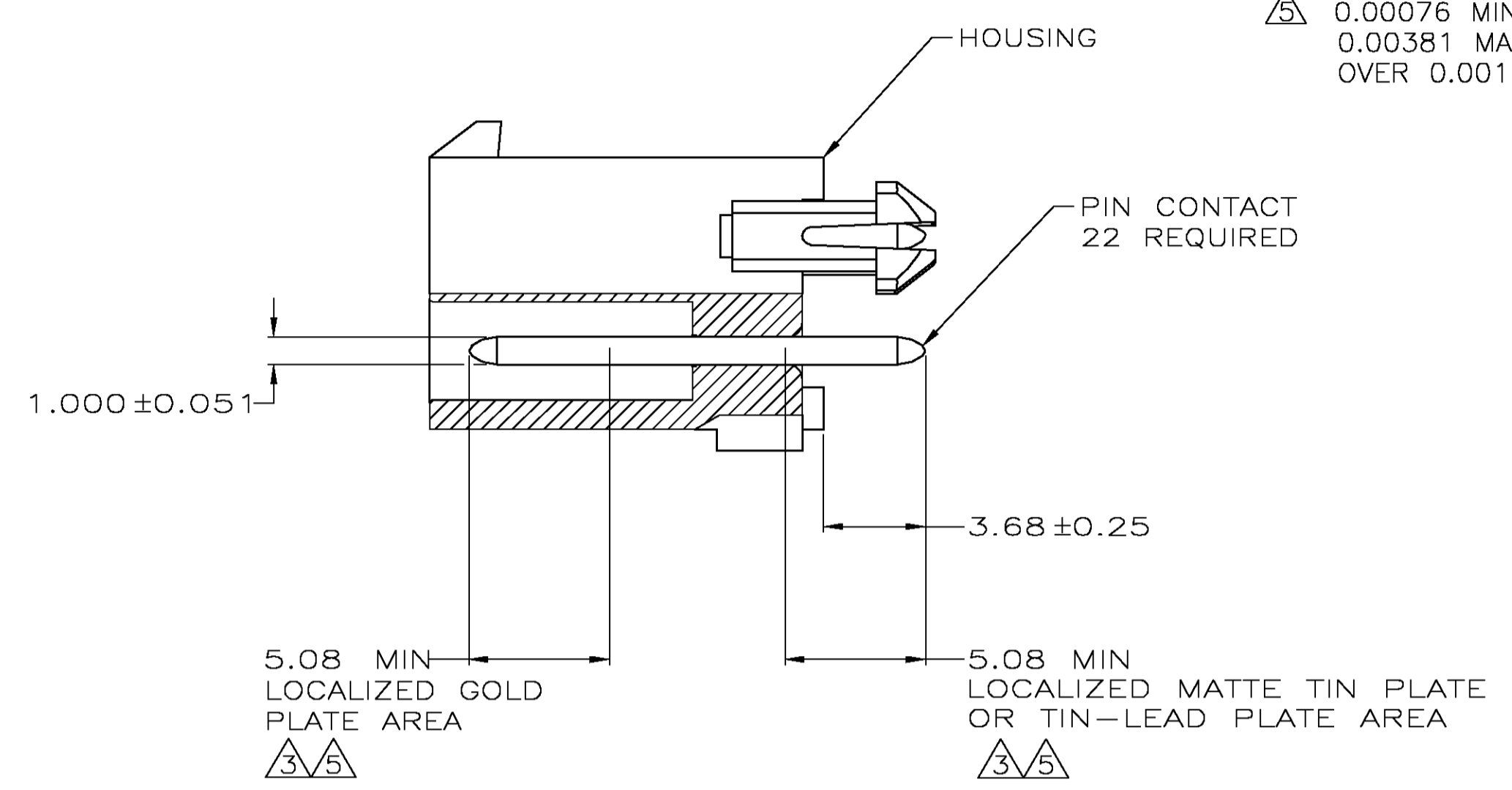
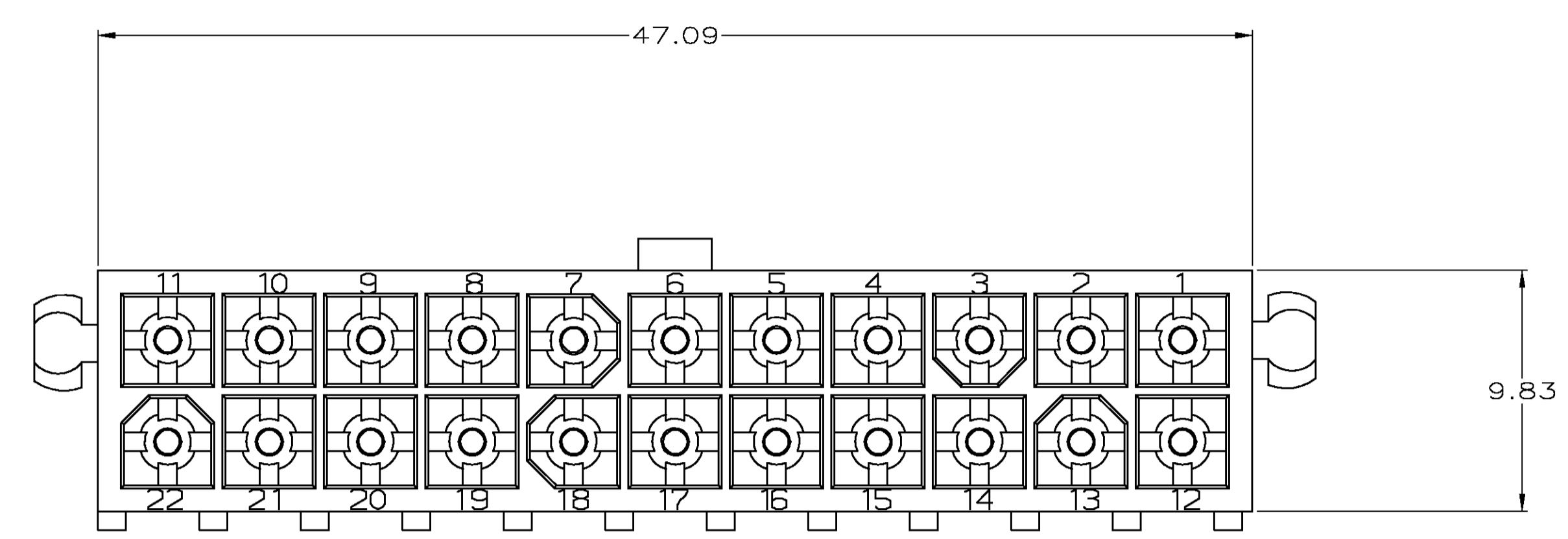


LOC		DIST		REVISIONS			
P	LR	DATE	BY	APPV	REV	REV	REV
D		6/8/05	SS	RJ	1		

- PINS TO COMPLY WITH AMP SOLDERABILITY SPEC. 108-11-3.
- 0.00381 MIN MATTE TIN LEAD OVER 0.00127 MIN NICKEL.
- 0.00076 MIN GOLD PLATE IN THE LOCALIZED PLATE AREA, 0.00381 MATTE TIN LEAD IN THE LOCALIZED PLATE AREA, BOTH OVER 0.00127 MIN NICKEL.
- 0.00381 MIN MATTE TIN OVER 0.00127 MIN NICKEL.
- 0.00076 MIN GOLD PLATE IN THE LOCALIZED PLATE AREA, 0.00381 MATTE TIN IN THE LOCALIZED PLATE AREA, BOTH OVER 0.00127 MIN NICKEL.



RECOMMENDED MOUNTING HOLE PATTERN FOR 1.57 THICK P.C. BOARD

PIN CONTACT MATERIAL AND FINISH	HOUSING MATERIAL AND COLOR	PART NUMBER
BRASS, GOLD $\Delta 5$	NYLON, 94V-0, WHITE	1-794078-1
BRASS, TIN $\Delta 4$	NYLON, 94V-0, WHITE	1-794078-0
BRASS, GOLD $\Delta 3$	NYLON, 94V-0, WHITE	794078-2
BRASS, TIN LEAD $\Delta 2$	NYLON, 94V-0, WHITE	794078-1

THIS DRAWING IS A CONTROLLED DOCUMENT.

DIMENSIONS: mm 0 PLC ± - 1 PLC ± - 2 PLC ± 0.13 3 PLC ± - 4 PLC ± - ANGLES ± -	TOLERANCES UNLESS OTHERWISE SPECIFIED: 0 PLC ± - 1 PLC ± - 2 PLC ± 0.13 3 PLC ± - 4 PLC ± - ANGLES ± -	FINISH: SEE TABLE	DWG: K. WHITAKER 5-16-95 CHK: R. SWING 5-16-95 APPV: R. ORSTAD 6-13-95 NAME: R. ORSTAD	Tyco Electronics Corporation Harrisburg, Pa 17105-3608
MATERIAL: SEE TABLE		WEIGHT: -		SIZE: A1 SCALE: 5:1 SHEET: 1 OF 1 REV: D

CUSTOMER DRAWING  
 DRAWING NO: 00779  
 NAME: HEADER ASSEMBLY, CLOSED BOTTOM, 22 CIRCUIT, DOUBLE ROW VERTICAL, MINI-UNIVERSAL MATE-N-LOK  
 SCALE: 5:1 SHEET: 1 OF 1 REV: D