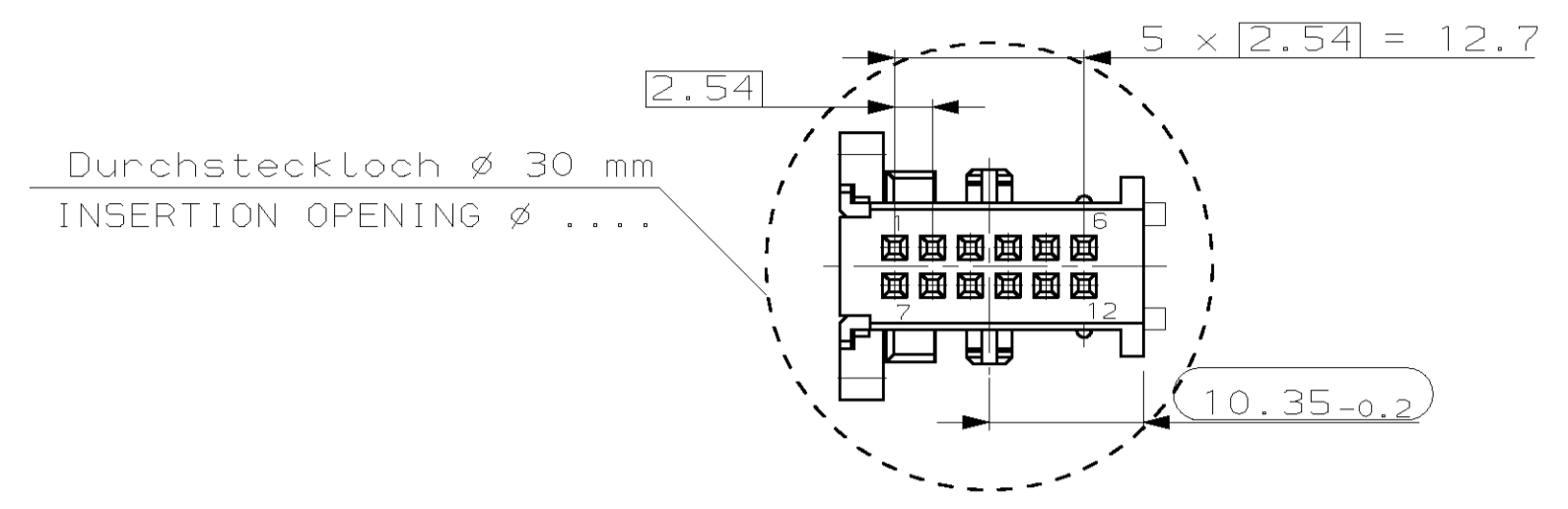
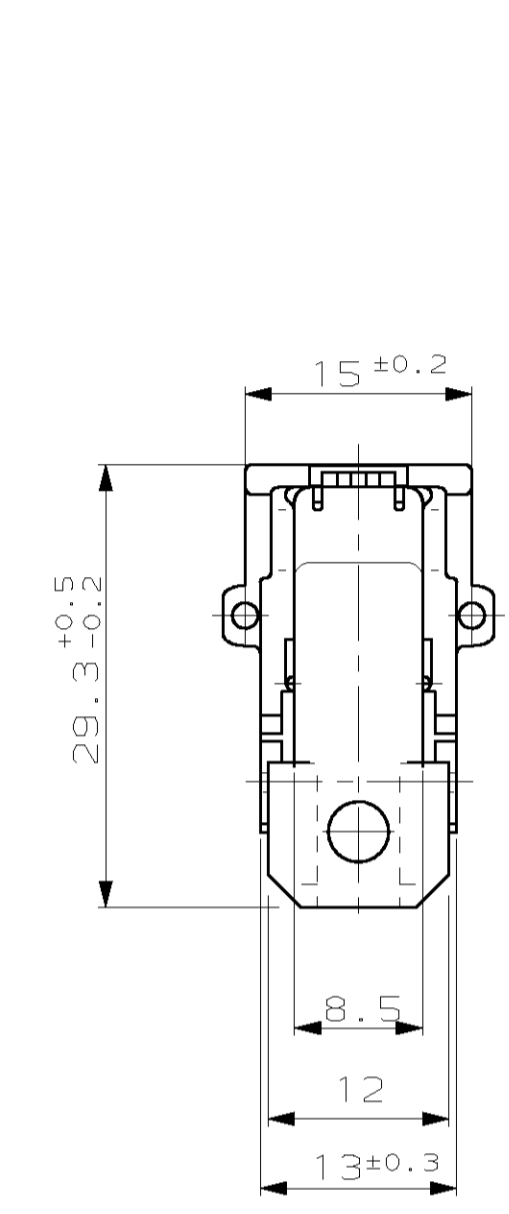
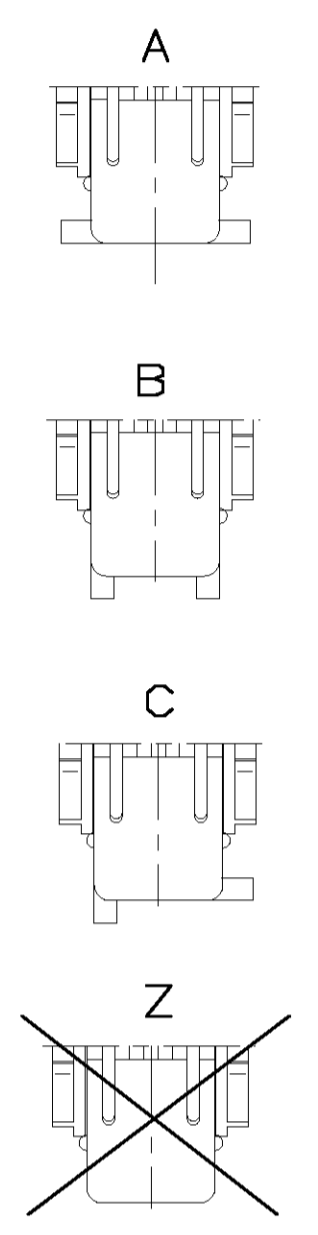


LOC	DIST	REV	LYR	DESCRIPTION	DATE	DN	APVD
A1	-	H2	E600 0111 99	(Zeichnung erstellt/NEW DWG.)	20.01.99	C.Beuj.	Hahn
		H3	E600 0242 00		31.01.00	C.Beuj.	TS
		H4	ECR-05-004732		13.06.05	C.Beuj.	TS

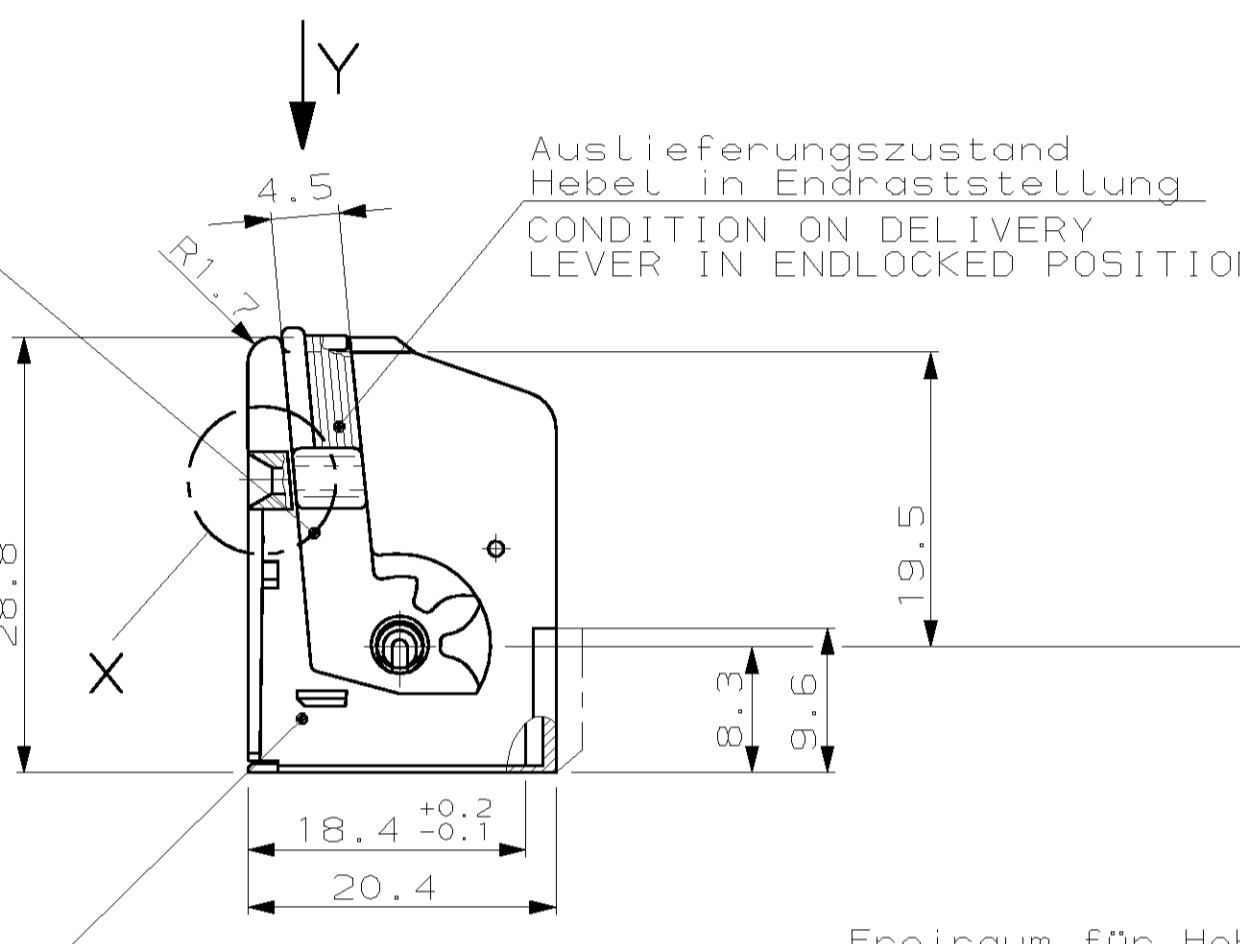
(ohne Hebel dargestellt/SHOWN WITHOUT LEVER)



Kodierungen
CODINGS

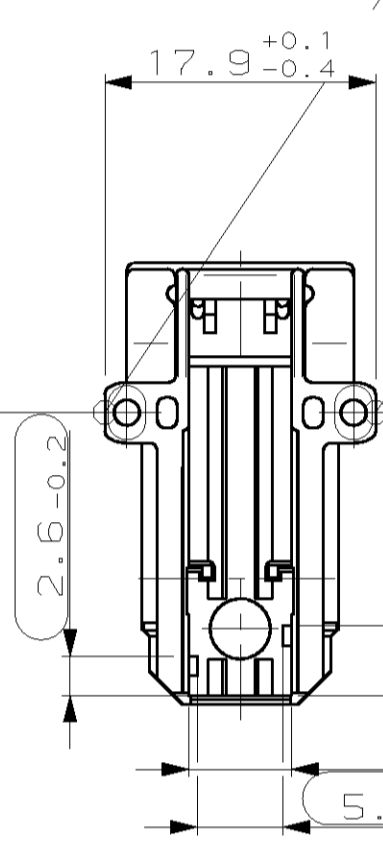


2 MATERIAL: PB-GF20



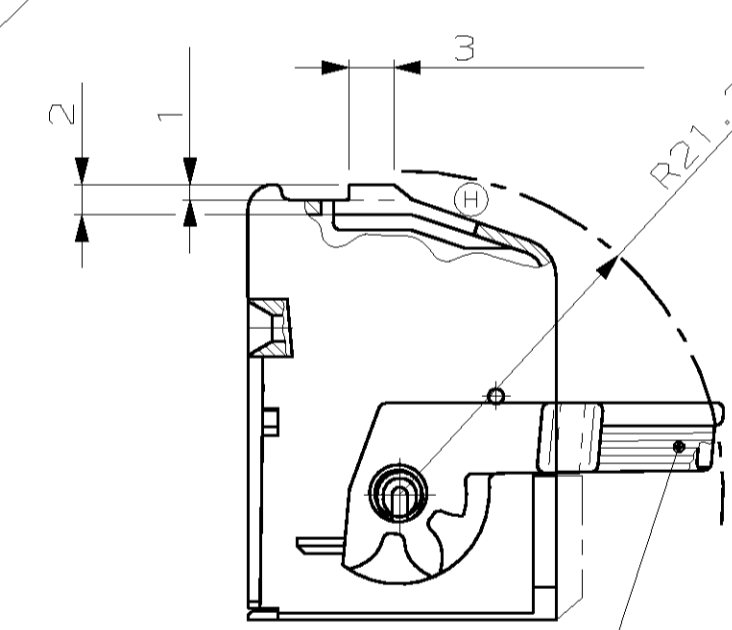
Auslieferungszustand
Hebel in Endraststellung
CONDITION ON DELIVERY
LEVER IN ENDOCKED POSITION

max. Verzug -0.3mm zulässig
MAX. WARPAGE PERMITTED



Verzug: max. -0.4
MAX. WARPAGE PERMITTED

1 MATERIAL: PBT-GF15



Freiraum für Hebel
AREA FOR LEVER

Bemerkungen
NOTES

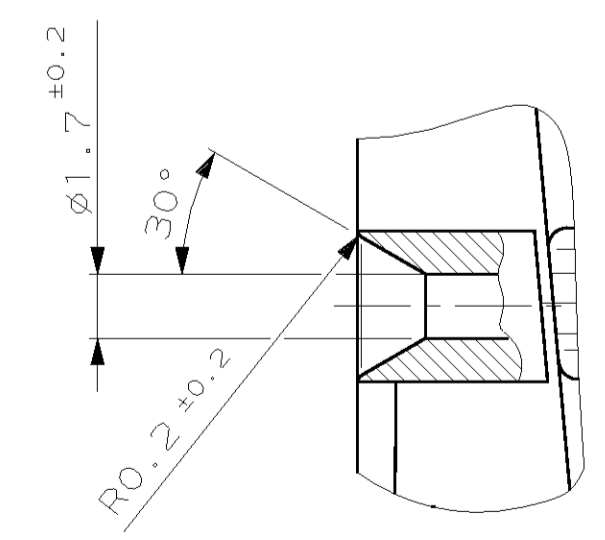
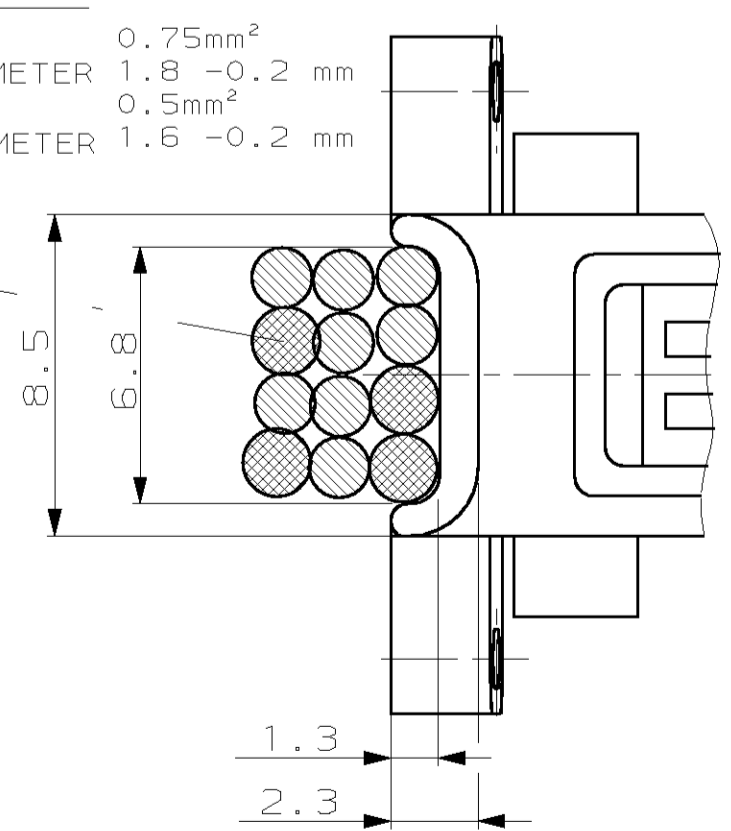
- Maßgebend ist der deutsche Text
ONLY THE GERMAN-LANGUAGE VERSION SHALL BE BINDING
- Einzelheiten der Ausführung bleiben dem Hersteller überlassen
DETAILS OF DESIGN ARE LEFT TO MANUFACTURER
- 1- -2 gezeichnet
.... AS SHOWN

Y 5:1

X 5:1

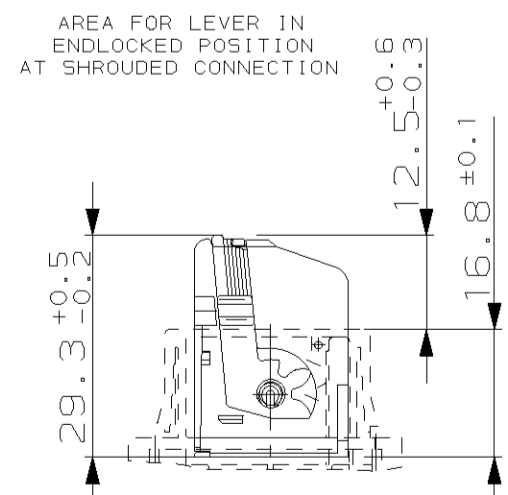
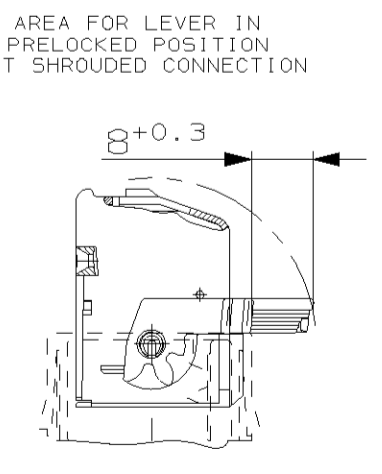
max. Belegung mit/MAX. USE WITH:

- 4 x Leitung/WIRE: 0.75mm²
- Außendurchmesser/OUTSIDE DIAMETER 1.8 -0.2 mm
- 8 x Leitung/WIRE: 0.5mm²
- Außendurchmesser/OUTSIDE DIAMETER 1.6 -0.2 mm



Freiraum für Hebel in Vorraststellung am Geräteanschluss
AREA FOR LEVER IN PRELOCKED POSITION AT SHROUDED CONNECTION

Freiraum für Hebel in Endraststellung am Geräteanschluss
AREA FOR LEVER IN ENDOCKED POSITION AT SHROUDED CONNECTION



1:1

AMP BESTELL-NR. ORDER NO.	REV.	KOD. COD.	POS.	STK. QTY.	BENENNUNG DESCRIPTION	OBERFLÄCHE SURFACE FARBE/COLOUR	ART KIND GEWICHT WEIGHT	GRAMM	PASSEND ZU/SUITABLE FOR: AMP	PASSEND ZU/SUITABLE FOR: AMP	PASSEND ZU/SUITABLE FOR: AMP
3-963615-2	H	C ² A-D	2	1	Hebel/LEVER	(H4) grau/GREY	S	2.6	3-963542-2		
			1	1	Abdeckkappe/SHIELD	blau/BLUE	S	2.6	2-963542-2	929562-3	929560-2
2-963615-2	H	B ² B-D	2	1	Hebel/LEVER	(H4) grau/GREY	S	2.6			
			1	1	Abdeckkappe/SHIELD	natur/NATURAL	S	2.6			
1-963615-2	H	A ² A-C	2	1	Hebel/LEVER	(H4) grau/GREY	S	2.6	1-963542-2		
			1	1	Abdeckkappe/SHIELD	schwarz/BLACK	S	2.6			

THIS DRAWING IS UNCLASSIFIED UNLESS INDICATED OTHERWISE. IT IS SUBJECT TO CHANGE AND THE CONTROLLING ENGINEER'S SIGNATURE SHALL BE OBTAINED FOR THE LATEST REVISION. QUOTES OF MANUFACTURERS WHO OBTAIN AND INCORPORATE CONTROLLED INFORMATION, OR WHO REVISIONS AND/OR CONTROLLED INFORMATION, SHALL BE SUBJECT TO THE MANUFACTURER'S POLICY AND APPROVAL.		DN: C.Beuj 20-JAN-99 PR: J.Hahn 20-JAN-99		AMP Deutschland GmbH D - 63225 Langen	
DIMENSIONS: DIMENSIONEN: mm TOLERANCES UNLESS OTHERWISE SPECIFIED: TOLERANZEN UNLESS OTHERWISE SPECIFIED:		PRODUCT SPEC: MICRO WOODLOK SYSTEM SHIELD, 12 POS. PRODUCT SPEC: 108-18157 APPLICATION SPEC: Abdeckkappe, 12-polig VERARBEITUNGSSPEZ.:		SIZE: A1 CAGE CODE: 00779 DRAWING NO.: 963615	
MATERIAL: - FINISH/OBERFLÄCHE/FARBE: -		WEIGHT: 2.6g CUSTOMER DRAWING: /KUNDENZEICHNUNG		RESTRICTED TO MAP FILE: - SHEET: 2.1 OF 1 REV: H4	