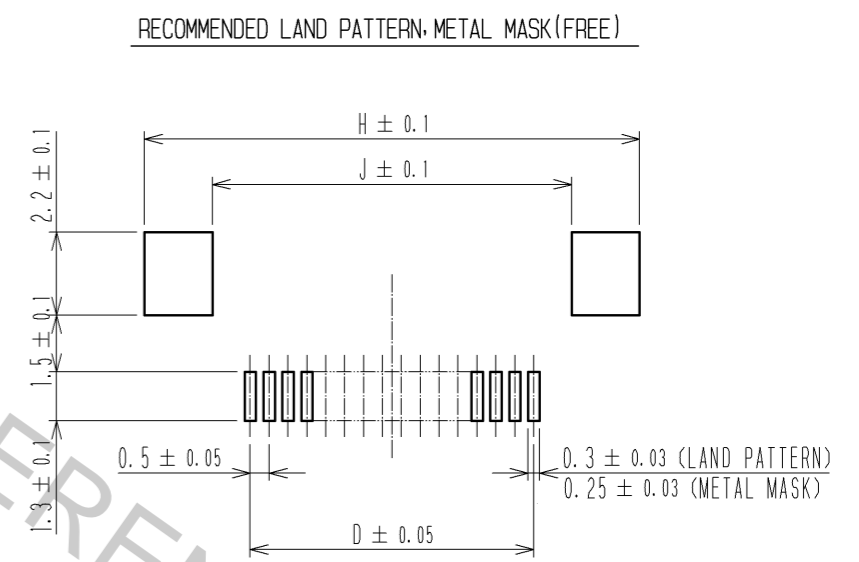
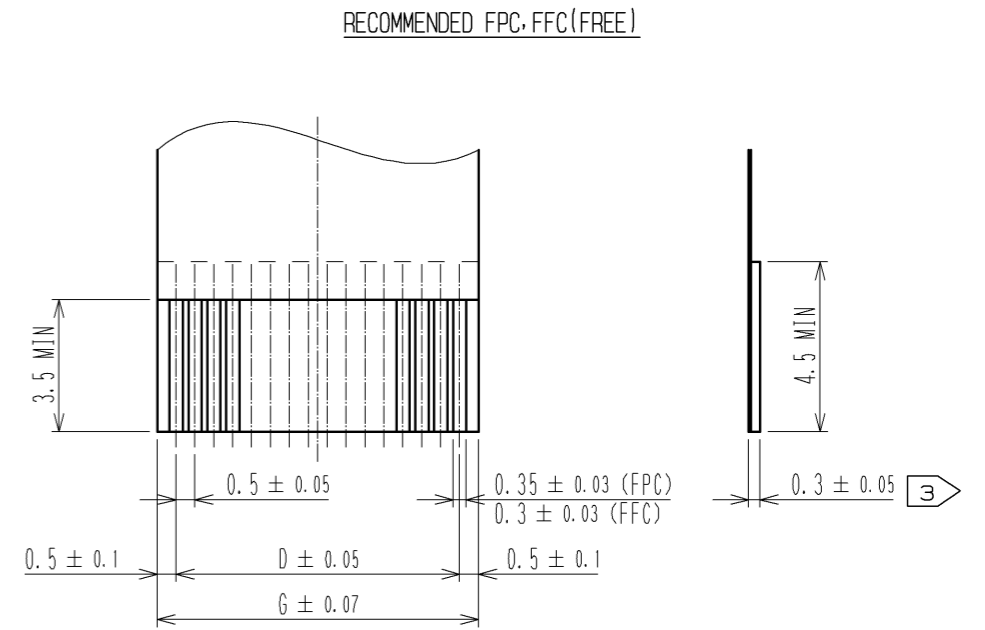
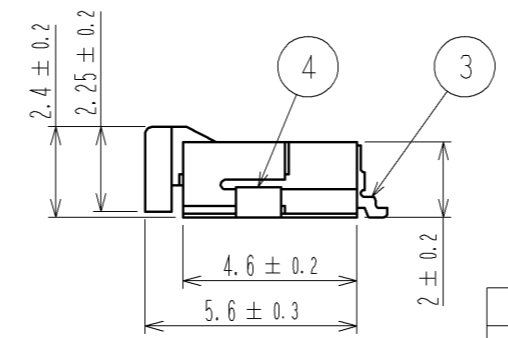
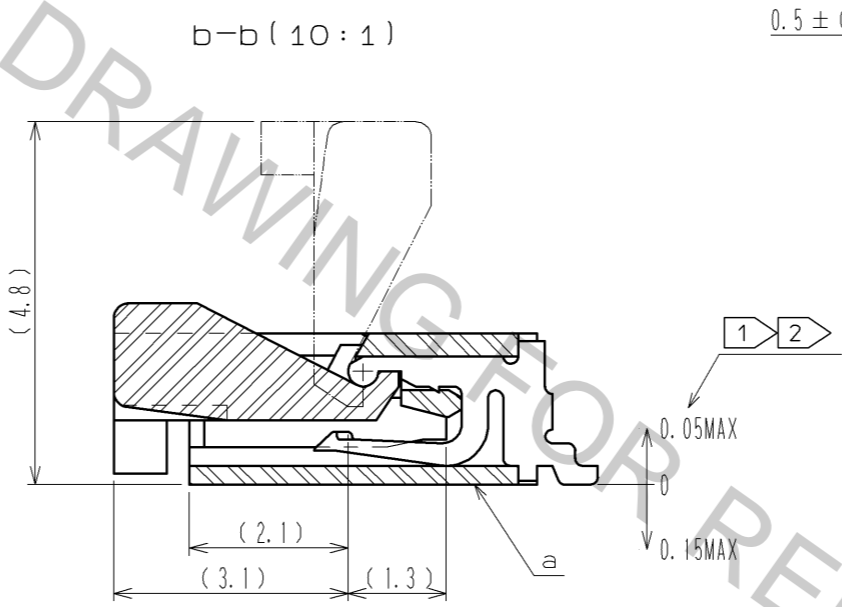
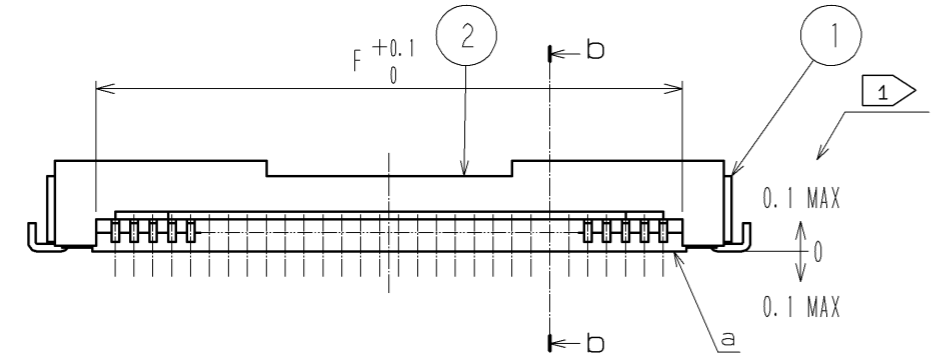
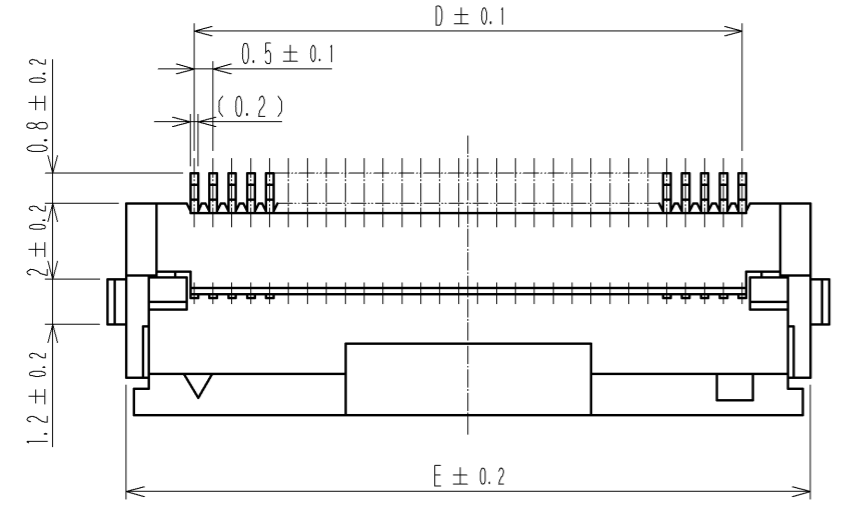
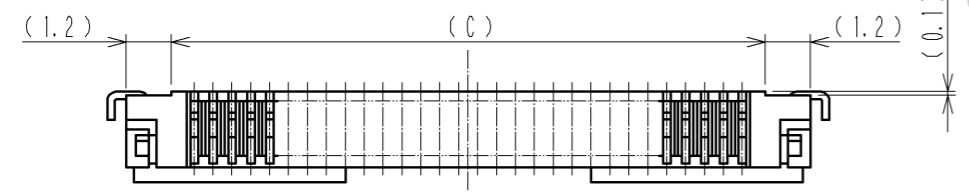
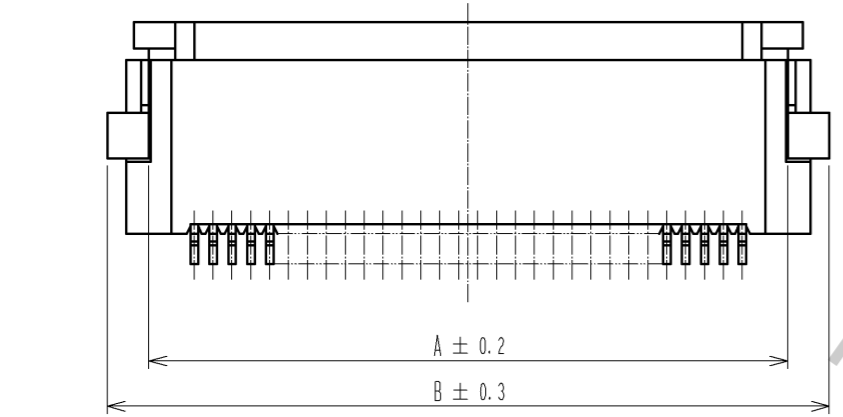


May.1.2017 Copyright 2017 HIROSE ELECTRIC CO., LTD. All Rights Reserved.

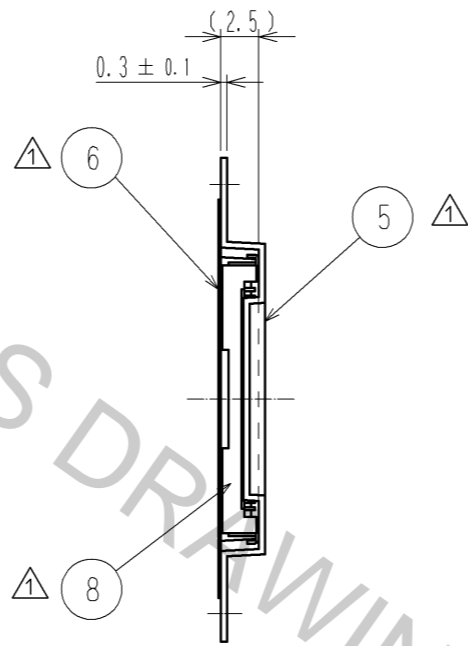
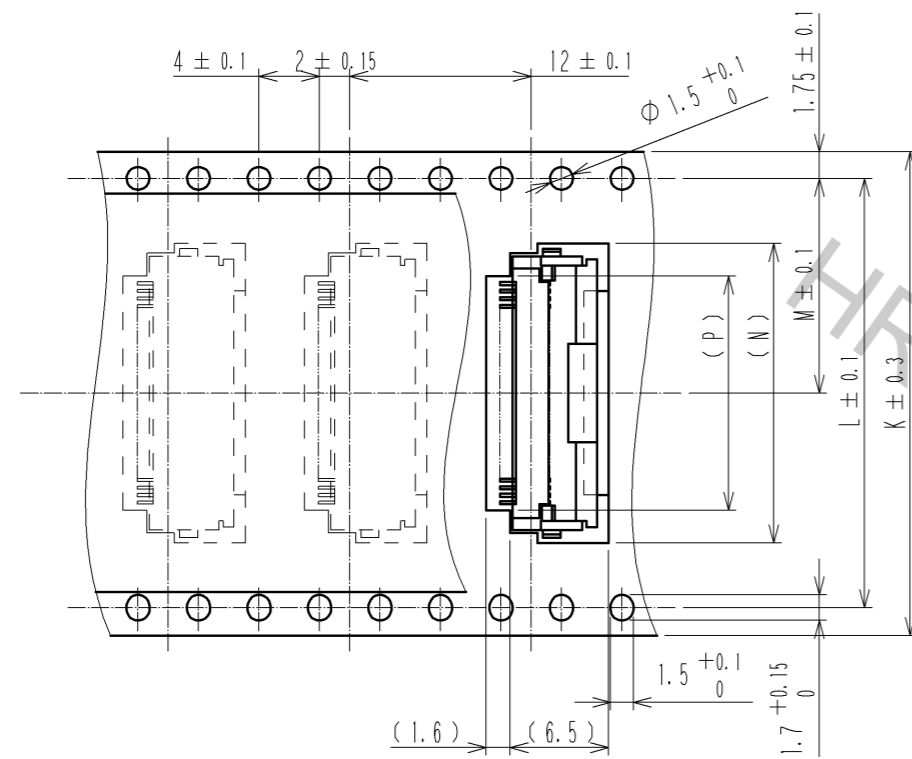


RECOMMENDED METAL MASK THICKNESS t=0.15

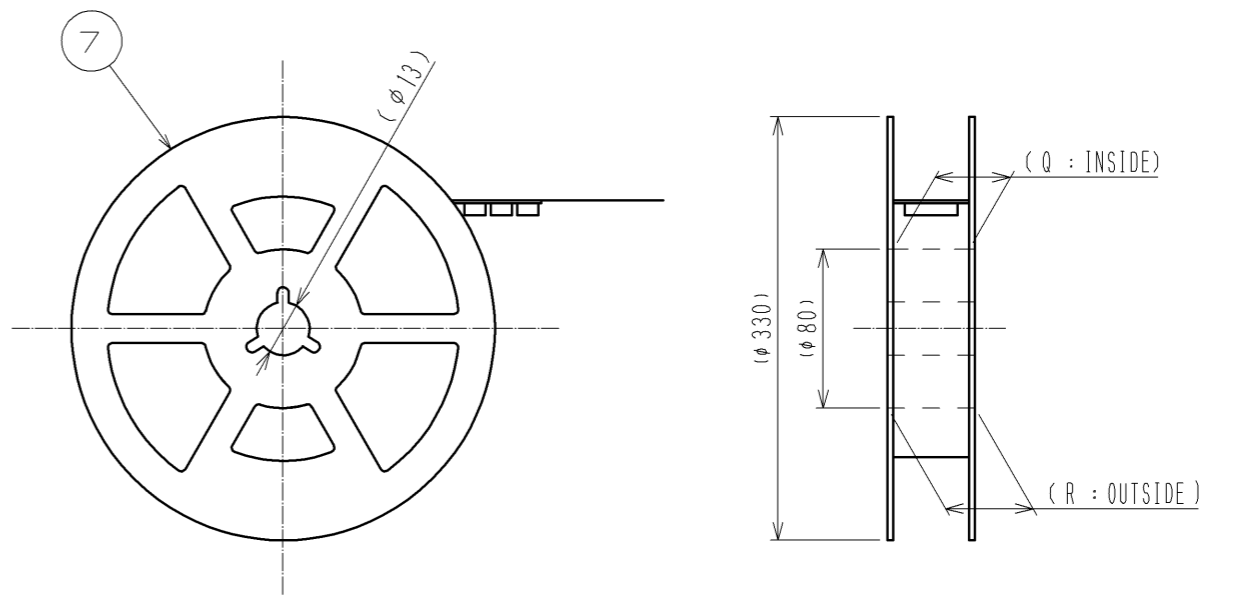
- NOTE ① REFERENCE IS a.  
 ② LEAD CO-PLANARITY SHALL BE 0.1 MAX.  
 ③ THICKNESS OF SUPPORTING TAPE SHALL BE 0.188(7.5mil) MIN.  
 4 SEE DIMENSION TABLE IN THE APPENDIX.

4	BRASS	TIN PLATING 1μm MIN-OVER NICKEL 1μm MIN.	8	(CONNECTOR)	△
3	PHOSPHOR BRONZE	GOLD FLASH-OVER NICKEL 1μm MIN.	7	POLYSTYRENE	△
2	PPS	(DEEP BROWN) UL94V-0	6	POLYESTER	△
1	POLYAMIDE	(BEIGE) UL94V-0	5	POLYSTYRENE	△
NO.	MATERIAL	FINISH . REMARKS	NO.	MATERIAL	FINISH . REMARKS
UNITS	mm	SCALE	5 : 1	COUNT	△ 10
DESCRIPTION OF REVISIONS			DESIGNED	CHKD	DATE
DIS-F-002557			MK. YASUMI	HS. SAKAMOTO	07. 11. 16
APPROVED : MO. ISHIDA 05. 01. 05			DRAWING NO. EDC3-153313-51		
CHECED : RI. TAKAYASU 05. 01. 05			PART NO. FH12S-*S-0.5SH(55)		
DESIGNED : TH. MURAI 05. 01. 05			CODE NO. CL586		
DRAWN : TH. MURAI 05. 01. 05			1/2		

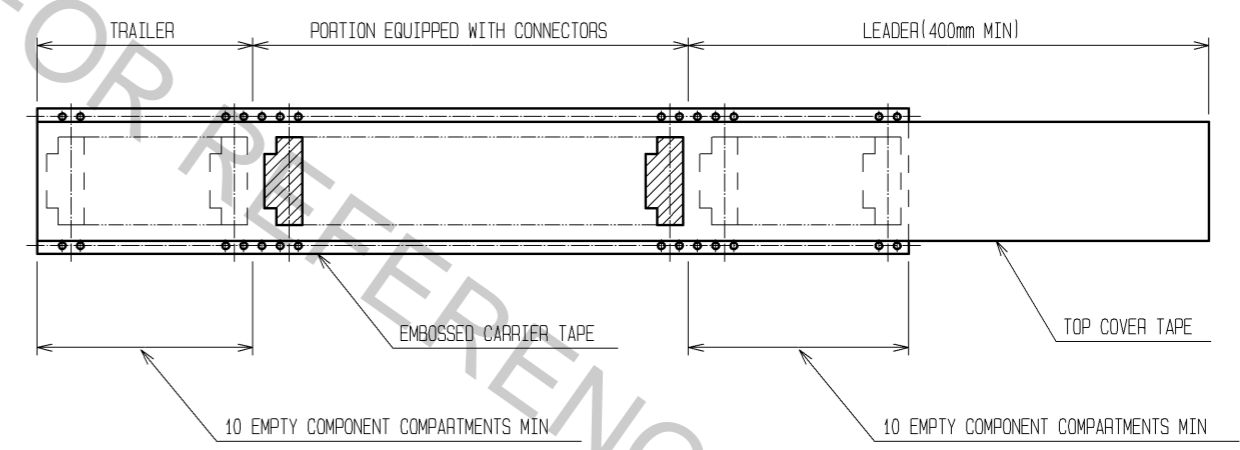
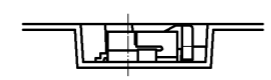
EMBOSSED CARRIER TAPE DIMENSION(2:1)



REEL DIMENSION(SHOW AS BELOW)  
(FREE)



DIRECTION OF UNREELING



DIMENSION TABLE OF CONNECTOR, FPC, FFC, LAND PATTERN AND METAL MASK

PART NO.	CODE NO.	*	A	B	C	D	E	F	G	H	J
FH12S-30S-0.5SH(55)	CL586-0667-6-55	30	16.9	19.1	15.7	14.5	18.1	15.57	15.5	20.1	16.5
FH12S-40S-0.5SH(55)	CL586-0640-0-55	40	21.9	24.1	20.7	19.5	23.1	20.57	20.5	25.1	21.5
FH12S-45S-0.5SH(55)	CL586-0665-0-55	45	24.4	26.6	23.2	22	25.6	23.07	23	27.6	24
FH12S-50S-0.5SH(55)	CL586-0642-5-55	50	26.9	29.1	25.7	24.5	28.1	25.57	25.5	30.1	26.5
FH12S-53S-0.5SH(55)	CL586-0691-0-55	53	28.4	30.6	27.2	26	29.6	27.07	27	31.6	28

DIMENSION TABLE OF DRAWING FOR PACKING

PART NO.	CODE NO.	*	K	L	M	N	P	Q	R
FH12S-30S-0.5SH(55)	CL586-0667-6-55	30	32	28.4	14.2	19.8	15.5	33.4	37.4
FH12S-40S-0.5SH(55)	CL586-0640-0-55	40	44	40.4	20.2	24.8	20.5	45.4	49.4
FH12S-45S-0.5SH(55)	CL586-0665-0-55	45	44	40.4	20.2	27.3	23	45.4	49.4
FH12S-50S-0.5SH(55)	CL586-0642-5-55	50	44	40.4	20.2	29.8	25.5	45.4	49.4
FH12S-53S-0.5SH(55)	CL586-0691-0-55	53	44	40.4	20.2	31.3	27	45.4	49.4

\* : NUMBER OF CONTACTS

- NOTE 5 THE DIMENSION IN PARENTHESES ARE FOR REFERENCE.
- 6 1 REEL : 2000 CONNECTORS.
- 7 SEE DIMENSION TABLE.

DRAWING FOR PACKING

<b>HRS</b>	DRAWING NO.	EDC3-153313-51
	PART NO.	FH12S-*S-0.5SH(55)
	CODE NO.	CL586
		2/2