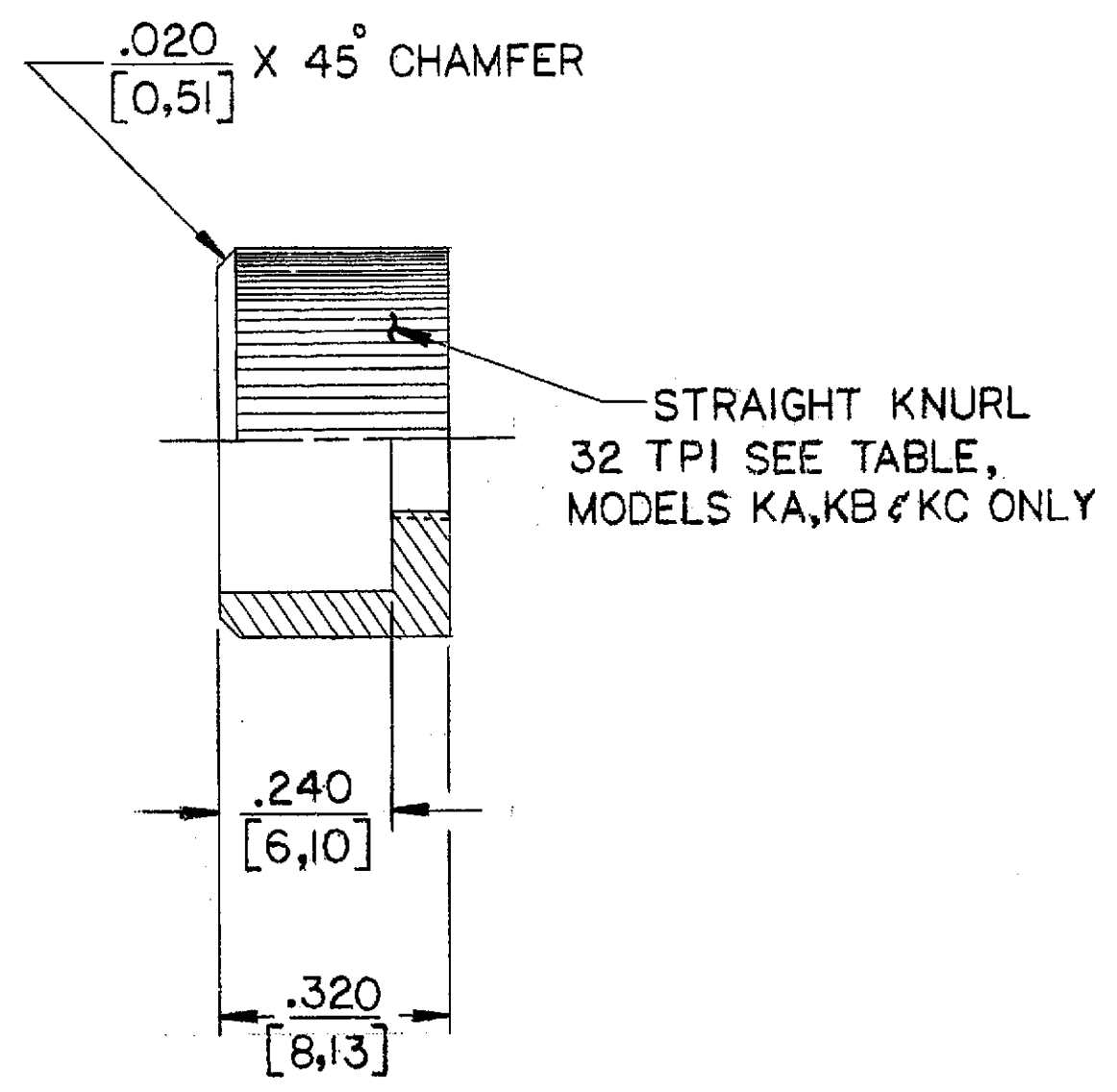
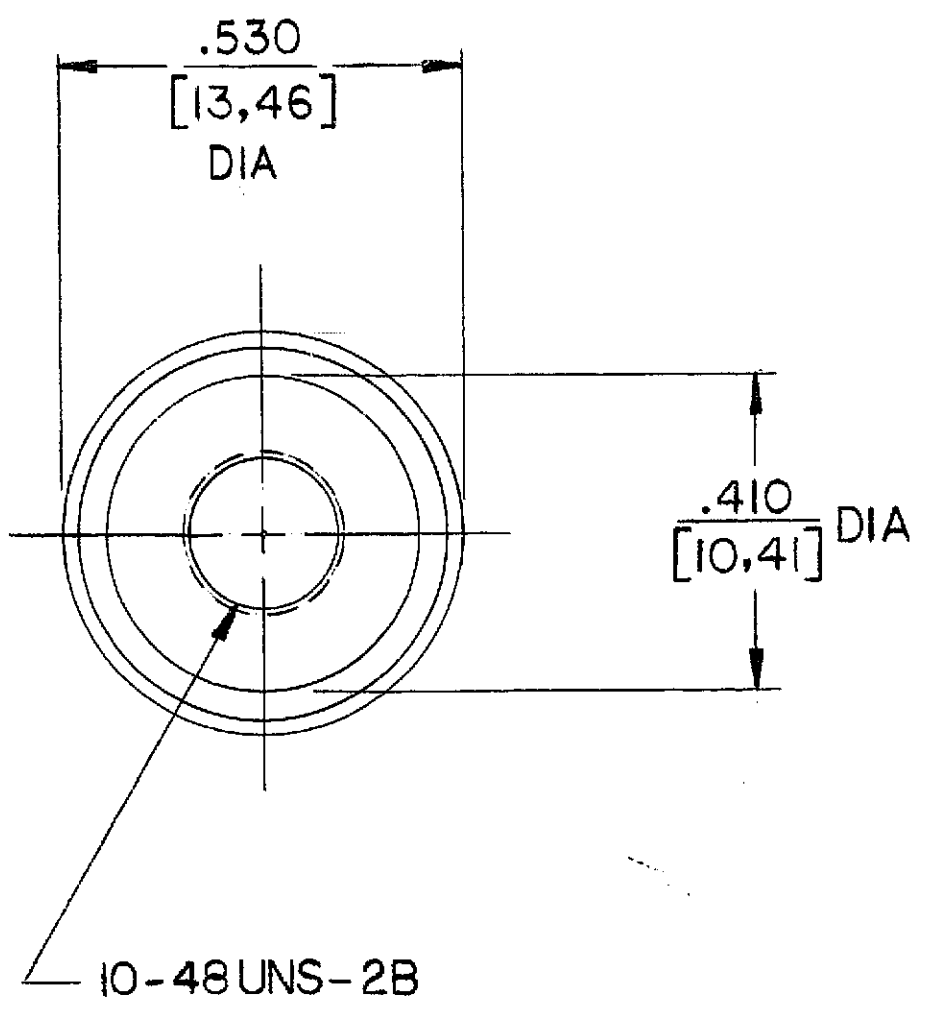


REVISIONS			
REV	DESCRIPTION	DATE	APPROVED
A	REVISED PER ECO-11-005294	13APR11	HMR



G-II-KC	CHROME	KNURLED	
G-II-KB	BLACK	KNURLED	
G-II-KA	NATURAL ALUM	KNURLED	
G-II-C	CHROME	PLAIN	
G-II-B	BLACK	PLAIN	
G-II-A	NATURAL ALUM	PLAIN	
MODEL	Nº	COLOR	FINISH

INCH
[MM]

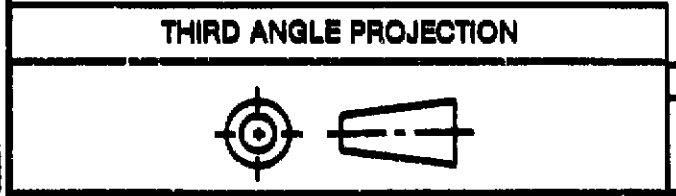
UNLESS OTHERWISE SPECIFIED		SIGNATURES	DATE
DIMENSIONS ARE IN INCHES - TOLERANCES ON: - PL. DECIMALS ± .010 / [0,25] - 3 PL. DECIMALS ± .010 / [0,25] - ANGLES ± 3° - FRACTIONS ± 1/32"		DRAWN <i>E.R.</i>	3/14/85
		CHECKED <i>JS</i>	3/27/85
		ENGRG <i>BS</i>	3/27/85
		ISSUED	



**ALUMINUM GUARDS
(G-II SERIES)**

SIZE	FSCM NO.	DWG. NO.	REV
C		7-1437627-6	A
SCALE	4/1		SHEET 1 OF 1

INSPECT PER ALCO QAS 100	
SYMBOL	A.Q.L.
□	CRITICAL
△	MAJOR
NONE	MINOR



DISTRIBUTION									
1	2	3	4	5	6	7	8	9	10

DWG. NO. 7-1437627-6
SHEET 1 OF 1