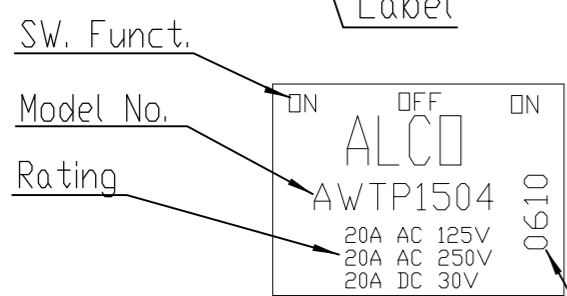
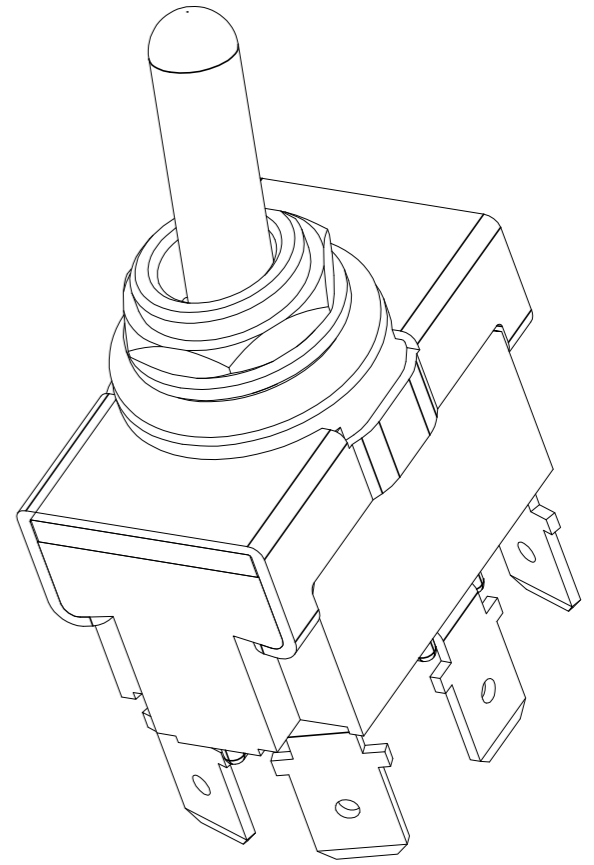
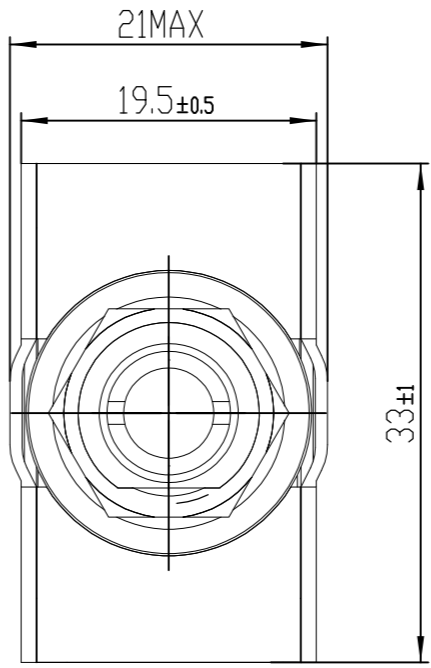
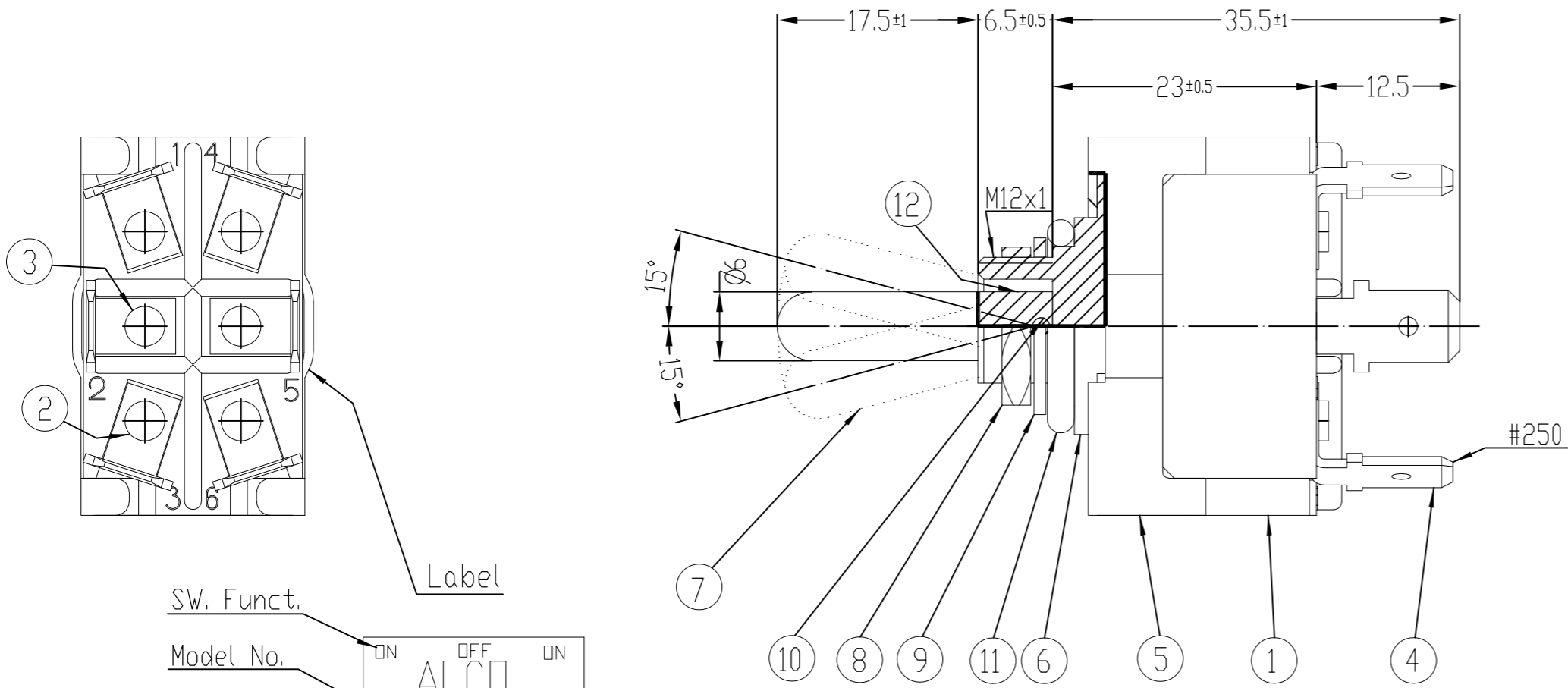


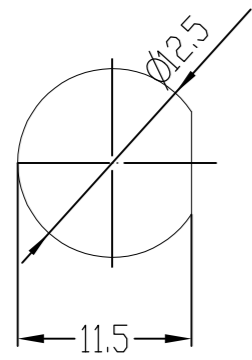
THIS DRAWING IS UNPUBLISHED. RELEASED FOR PUBLICATION
 © COPYRIGHT - BY - ALL RIGHTS RESERVED.

LOC	DIST	REVISIONS					
		P	LTR	DESCRIPTION	DATE	DWN	APVD
IF	-	B1		REVISED PER ECO-11-005027	11MAR11	RK	HMR

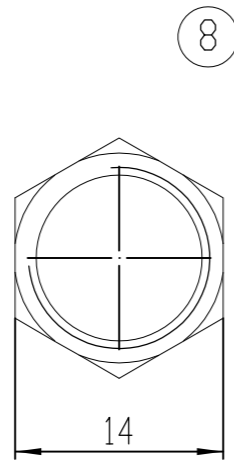


Date Code
 Example 0610
 Year Month
 2006 Oktober

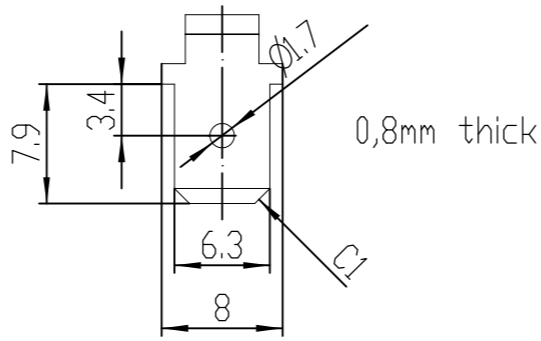
Mounting Hole



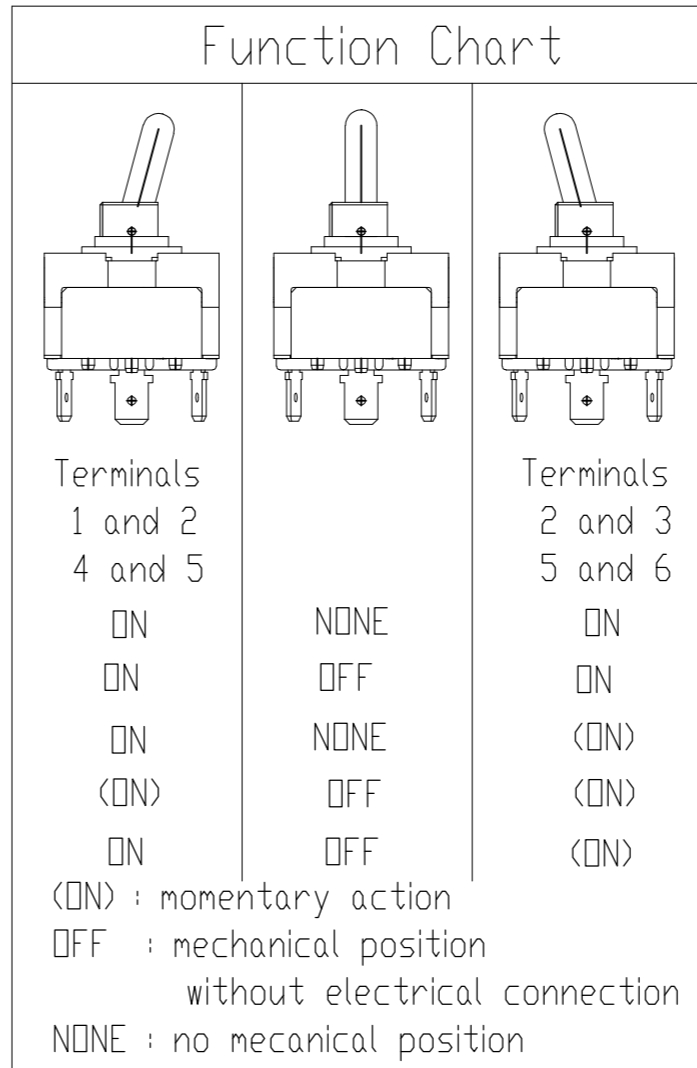
Nut



Terminal #250



Function Chart



Notes:

Operating temperature -20°C to +70°C

Operating Force MAX 29,4N

All materials and finishes comply with RoHS directive

Materials Chart

Part No.	Part Name	Material/Surface	Optional Description
1	Case	PM-EG	
2	F Contact	Silver alloy + C3602BD	
3	Common Contact	C3602BD	
4	Terminal	C2680R	
5	Frame	SPCC	Ep-Fe/Zn4/CM
6	Bushing	Zinc alloy	EP-Zn/Cu5,Ni10b
7	Actuator	C3602BD-F	Ep-Cu/Ni3,Cr1b
8	Nut	C3602BD	Ep-Cu/Ni3b
9	L Washer	SK-5	Ep-Fe/Ni3b
10	Shaft	SUS	
11	Rubber seal	NBR	
12	Insert molded rubber	Silcon rubber	

Specifications

Rating	Initial Contact Resistance	Insulation Resistance	Dielectric Strength	Endurance
AC 125V 20A AC 250V 20A DC 30V 20A	MAX 10 milliohms at DC 2 ~ 4V 1A	MIN 1000 M Ohms at DC 500V	AC 1,5kV/1 min (AC 1,8kV/1 sec)	electrically 20.000 cycles at 20 cycles/min (rated load resistive) mechanically 40.000 cycles at 20 cycles/min

TE CONNECTIVITY PN	Part
7-6437630-2	AWTN1504
3-6437592-9	AWTP1504
5-6437630-0	AWTR1504
1-6437630-1	AWTS1504
1-6437630-0	AWTT1504

THIS DRAWING IS A CONTROLLED DOCUMENT.

DWN	WEIDEN	06.09.2007
CHK	-	-
APVD	-	-



DIMENSIONS:	TOLERANCES UNLESS OTHERWISE SPECIFIED:
mm	
0 PLC	± -
1 PLC	± -
2 PLC	± -
3 PLC	± -
4 PLC	± -
ANGLES	± -
MATERIAL	FINISH
-	-

NAME	POWER TOGGLE SWITCH DOUBLE POLE PANEL MOUNTING WATERTIGHT		
SIZE	CAGE CODE	DRAWING NO	RESTRICTED TO
A2	00779	C=1968501	-
CUSTOMER DRAWING	SCALE	SHEET	REV
	1:1	1 of 1	B1