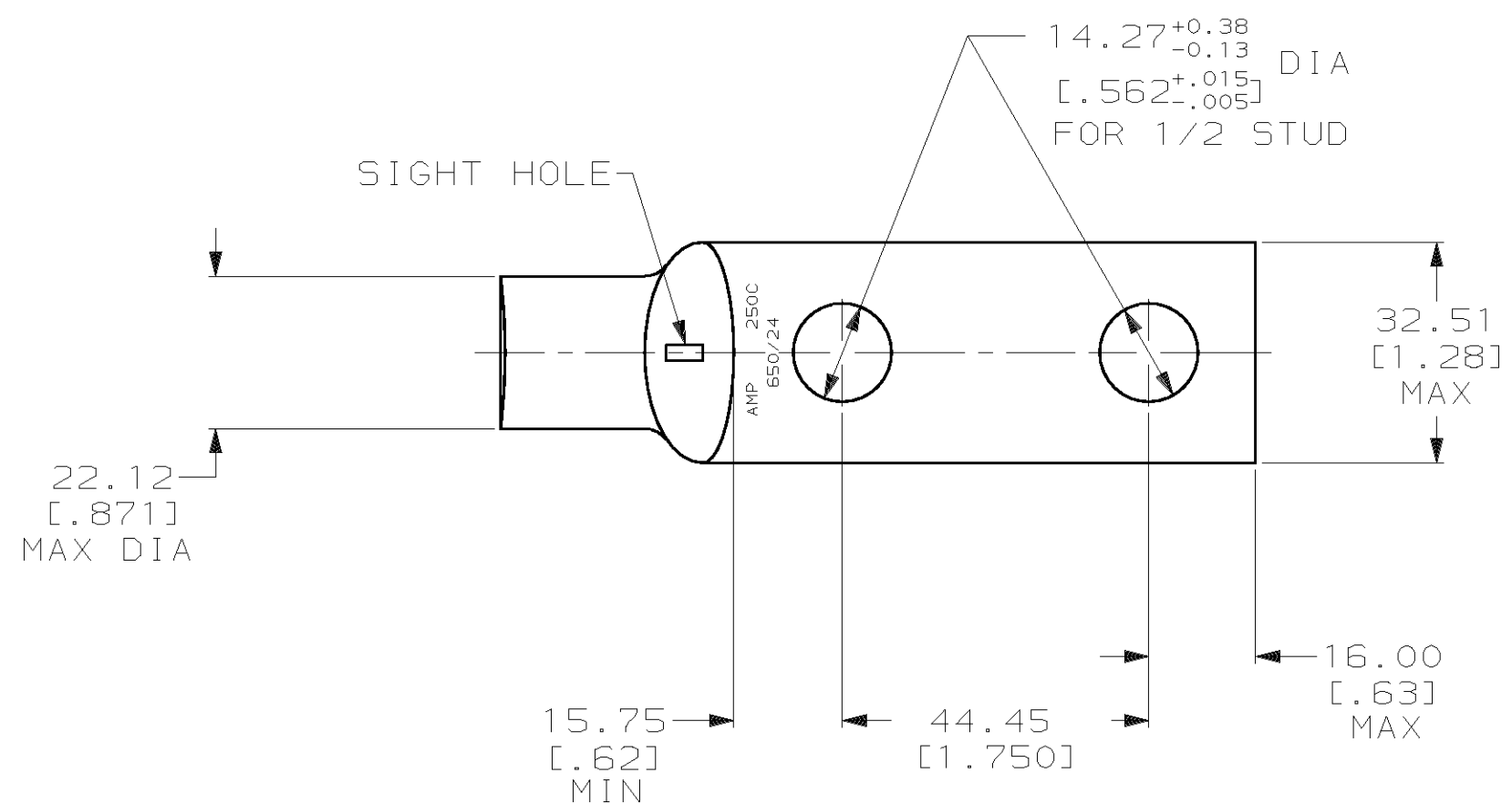
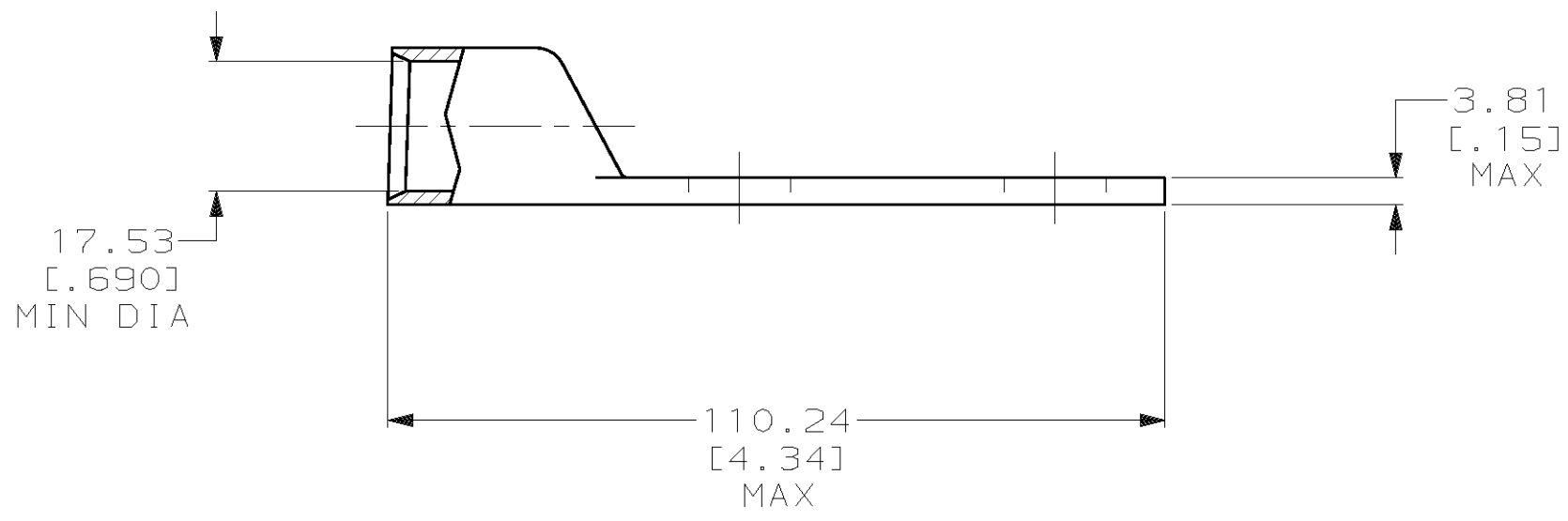


THIS DRAWING IS UNPUBLISHED. RELEASED FOR PUBLICATION, 19 .  
 © COPYRIGHT 19 BY AMP INCORPORATED. ALL INTERNATIONAL RIGHTS RESERVED.

LOC		DIST		P		F		ZONE		LTR		REVISIONS		DATE	APPD
G		86													
												M	REV PER 0G3A-0561-01	09OCT02	JR/MS



- 1 CIRCULAR MIL AREA RANGE: 231-275 MCM
- 2 TIN PL 0.00381 [.000150] MIN THK PER ASTM B545
- 3 CLEANED, UNPLATED
- 4 PREPRODUCTION - FASR REQ



3	4	327285-2
2		327285
FINISH		PART NO

DO NOT SCALE PRINT. UNLESS SPECIFIED DIMENSIONS IN mm [INCHES] TOLERANCES ON : 2 PLC DEC ± 0.51 [.020] 3 PLC DEC ± - ANGLES ± -	DR 02/28/90 DK SCHRUM	AMP INCORPORATED Harrisburg, Pa. 17105		
	CHK 20JAN95 MS FEHER			NAME
MATERIAL	APPD 20JAN95 WJ VOCKROTH	TERMINAL, AMPOWER™ WIRE SIZE: 250 MCM		
ANNEALED COPPER ASTM B-75	APPD 20JAN95 TL SHUTTER			
FINISH	PRODUCT SPEC 108-30200	SIZE	CAGE CODE	DRAWING NO
SEE TABLE	APPLICATION SPEC -	C	00779	327285
	WEIGHT .201 LB	SCALE 1:1		SHEET 1 OF 1

