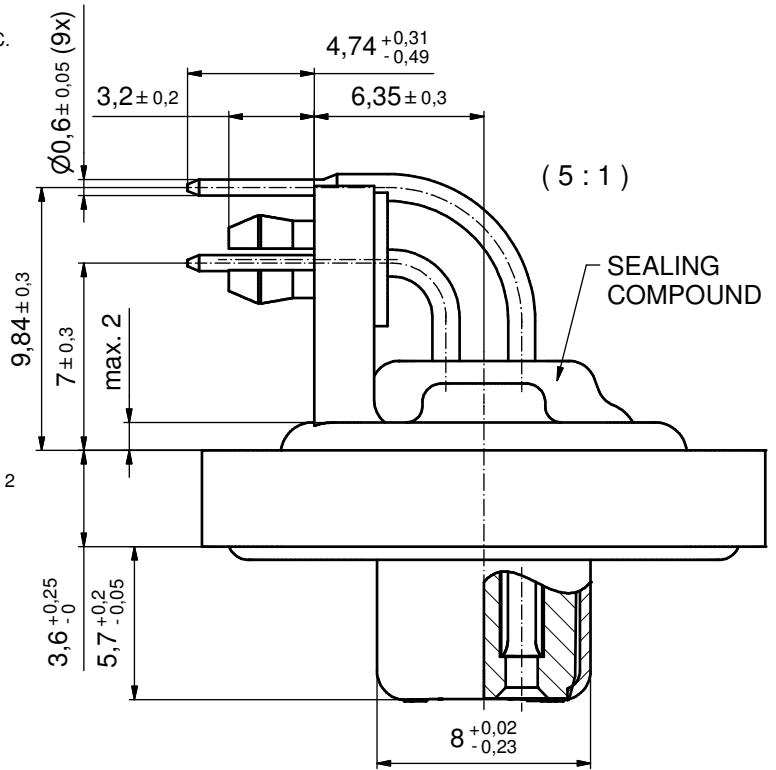
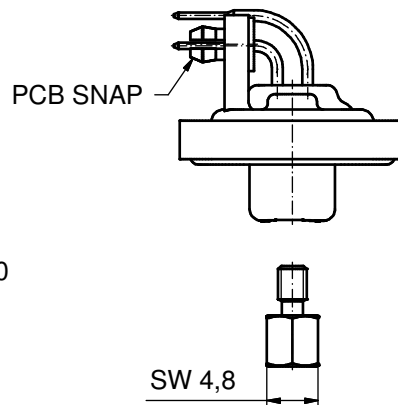
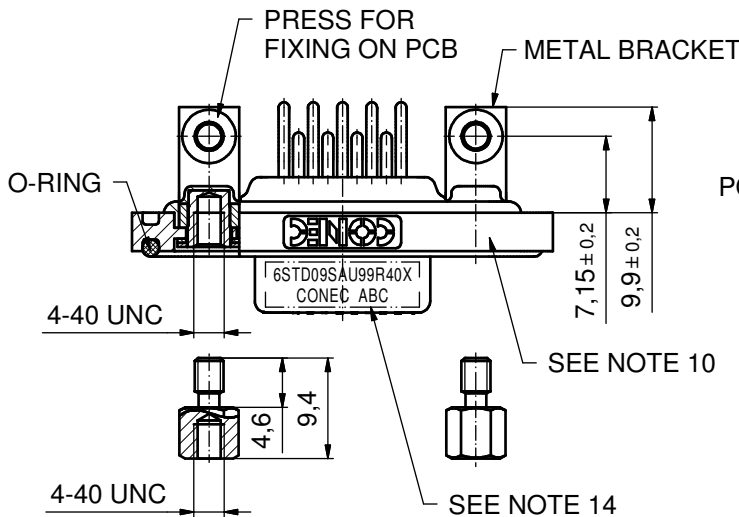
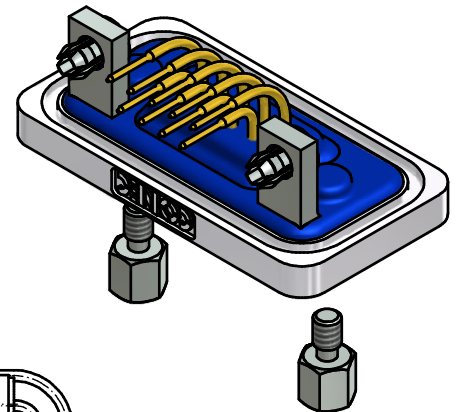
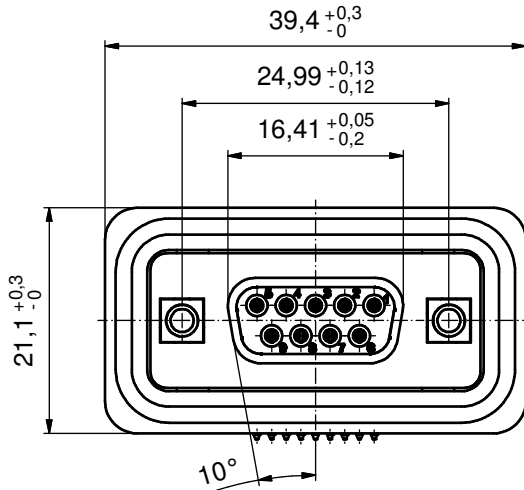


**NOTES:**

- FOR WAVESOLDERING (SOLDER BATH TEMPERATURE 240°C FOR 5 SEC. AND SOLDER PREHEAT 120°C FOR 120 SEC.)
- METALSHELLS: COPPER ALLOY; min. 315µin TIN over 40-80µin NICKEL
- SEALING COMPOUND: PUR; BLUE
- INSULATORS: PBT GF UL 94 V-0; BLACK
- CONTACTS: COPPER ALLOY  
PLATING: GOLD FLASH over NICKEL
- METAL BRACKETS: ZINC DIE CAST;  
300µin COPPER/40-120µin NICKEL/120-200µin TIN
- THREADED INSERTS: COPPER ALLOY; min. 200µin TIN over 80µin NICKEL
- PCB-SNAPS: COPPER ALLOY; min. 200µin TIN over 80µin NICKEL  
PCB-HOLE:  $\varnothing 3,1 \pm 0,1$ mm; PCB-THICKNESS: 1,6mm
- HEXLOCKING SCREWS: STAINLESS STEEL
- FRAME: ZINC DIE CAST; NICKEL PLATED
- O-RING: SILICON; BLUE
- PCB HOLE DRILLINGS AND RECOMMENDED PANEL CUT-OUT ON SHEET 2
- RECOMMENDED TORQUE FOR MOUNTING SCREW  
35Ncm (3.1 in.LB) / max.40Ncm (3.5 in.LB)
- CONNECTOR IS PART MARKED: 6STD09SAU99R40X CONEC ABC



AT ALL TIMES WATER RESISTANT CONNECTORS NOT IN USE SHOULD BE COVERED WITH A CONEC WATER RESISTANT CAP OR WATER TIGHT HOOD.



Directive 2002/95/EC  
"RoHS"  
Compliant

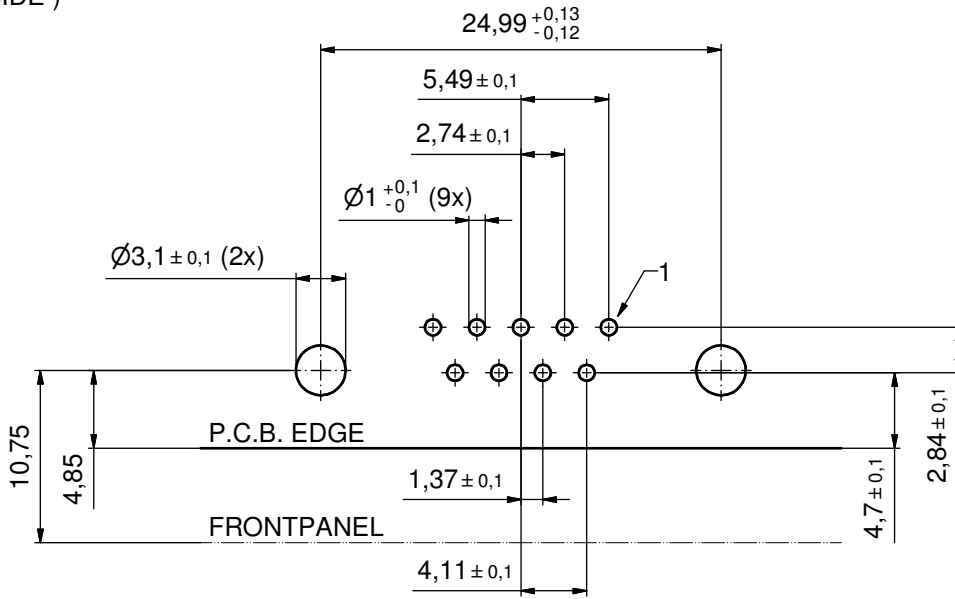
APPROVAL # FREIGABE # DEBLOCAGE # AUTORIZACION # APPROVAL	
CUSTOMER APPROVAL DATE:	
NAME:	TITLE:
COMPANY NAME:	
APPROVAL # FREIGABE # DEBLOCAGE # AUTORIZACION # APPROVAL	

THIS DRAWING MAY NOT BE COPIED OR REPRODUCED IN ANY WAY, AND MAY NOT BE PASSED ON TO A THIRD PARTY WITHOUT WRITTEN PERMISSION. OWNERSHIP AND COPYRIGHT OF CONEC GmbH			
DO NOT ALTER CAD DRAWING BY HAND			
rev.	description	date	name
a	Origin		

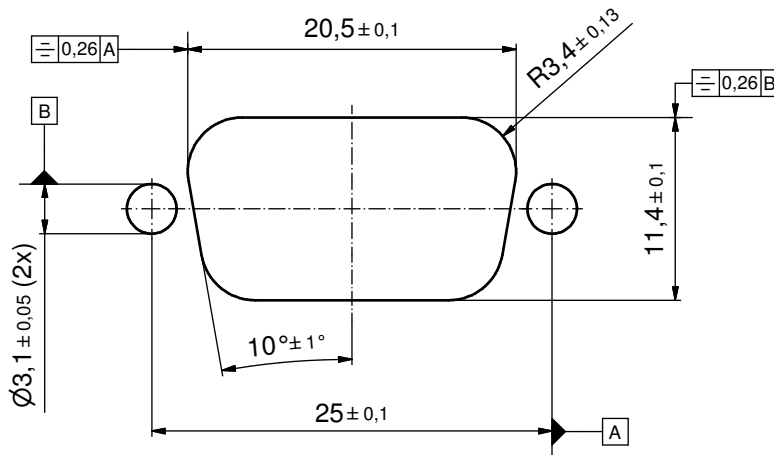
tolerance		dim. in mm
date	name	
drawn	18.11.10	Henneboel
appd.	18.11.10	Fischer
norm		
d-old		
<b>CONEC</b> ®		

scale:	2:1 (5:1)	
material:	SEE NOTES	
title:	D-SUB FEMALE 90° 9pos. SOLDER PIN ANGLED thread insert, metal bracket, snap, hexlocking screw	
dwg no:	Inventor 10	DIN-A3
	15K1A756	sh: 1
part no:	6STD09SAU99R40X	

P.C.B. HOLE DRILLINGS  
( P.C.B. TOP SIDE )



RECOMMENDED PANEL CUT-OUT



APPROVAL # FREIGABE # DEBLOCAGE # AUTORIZACION # APPROVAL	
CUSTOMER APPROVAL DATE:	
NAME:	TITLE:
COMPANY NAME:	
APPROVAL # FREIGABE # DEBLOCAGE # AUTORIZACION # APPROVAL	

THIS DRAWING MAY NOT BE COPIED OR REPRODUCED IN ANY WAY, AND MAY NOT BE PASSED ON TO A THIRD PARTY WITHOUT WRITTEN PERMISSION. OWNERSHIP AND COPYRIGHT OF CONEC GmbH				tolerance		dim. in mm	
DO NOT ALTER CAD DRAWING BY HAND				date	name	scale: 3:1	
rev.	description	date	name	drawn	18.11.10	Henneboel	material: SEE SHEET 1
a	Origin			appd.	18.11.10	Fischer	title: P.C.B. HOLE DRILLINGS RECOMMENDED PANEL CUT-OUT D-SUB FEMALE 90° 9pos.
				norm			dwg no: Inventor 10
				d-old			DIN-A3
				<b>CONEC</b> ®		15K1A756	
						part no: SEE SHEET 1	
						sh: 2	

scale: 3:1	
material: SEE SHEET 1	
title: P.C.B. HOLE DRILLINGS RECOMMENDED PANEL CUT-OUT D-SUB FEMALE 90° 9pos.	
dwg no: Inventor 10	DIN-A3
15K1A756	
part no: SEE SHEET 1	
sh: 2	