

D

C

B

A

4

4

3

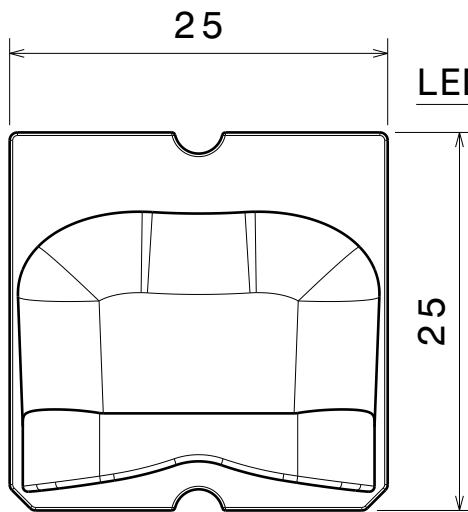
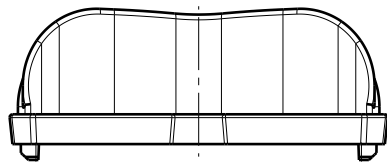
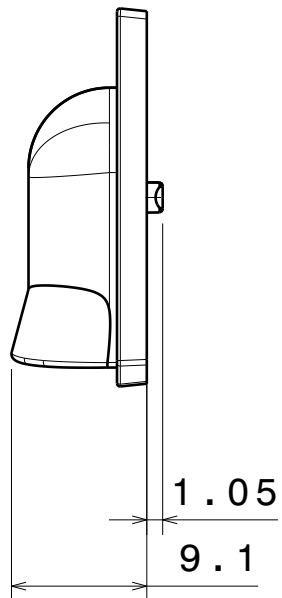
3

2

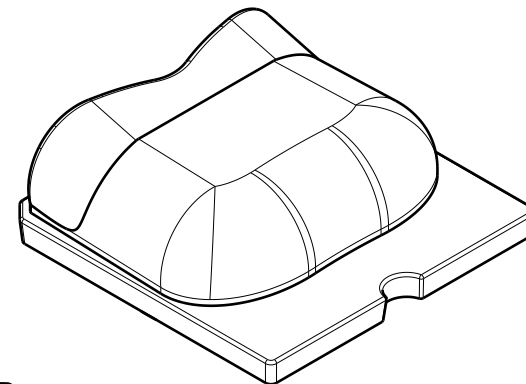
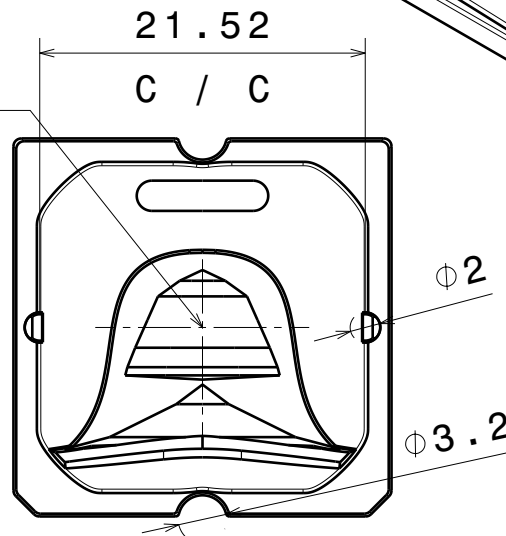
2

1

1



LED center

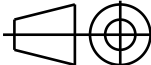


INDEX	PART NO	DESCRIPTION	MATERIAL	COLOUR
1	C16014	STRADA-SQ-SCL	PMMA	Clear

Tolerances if not otherwise shown  
According to DIN ISO 2768-1  
Linear measures:  
Up to 30mm class M, otherwise class C.  
According to DIN ISO 2768-2  
Form and position: class L

**LEDiL**

Ledil Oy  
Salorankatu 10  
FIN 24240 SALO  
Finland

FIRST ANGLE PROJECTION: 

DRAWING TITLE  
**STRADA-SQ-SCL Mechanical Drawing**

This drawing is the property of LEDiL Oy. It may not be reproduced, copied or communicated without a written agreement with LEDiL Oy.

SIZE	PART NUMBER
A4	C16014

SCALE	2:1	WEIGHT	3,2 g	SHEET	1/1
-------	-----	--------	-------	-------	-----

D

A