

D

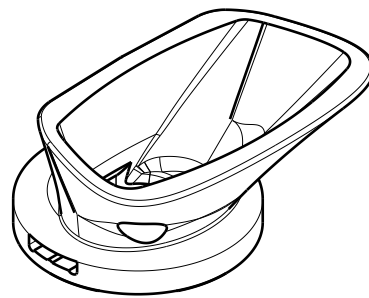
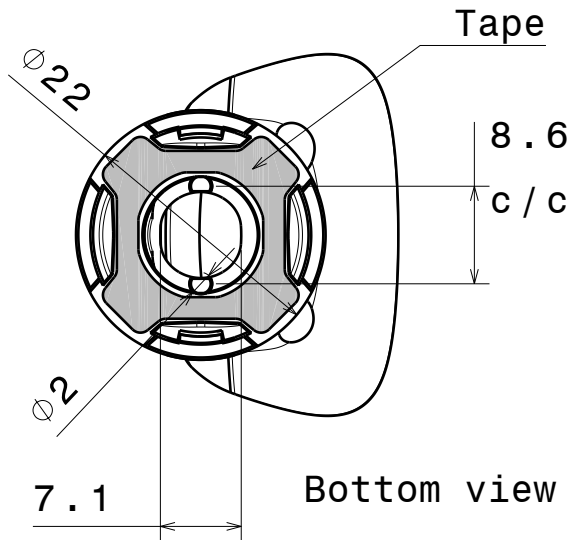
C

B

A

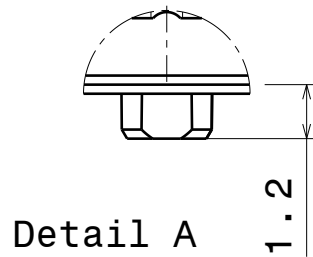
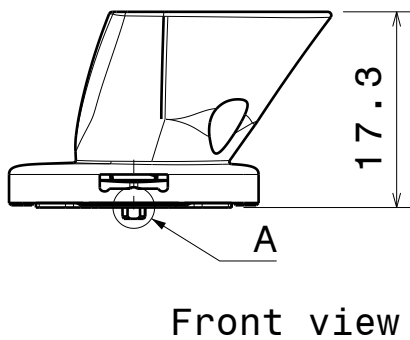
4

4



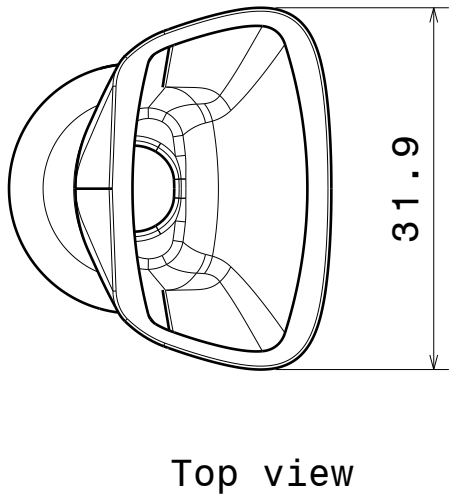
3

3



2

2



Materials

Reflector: PC  
Tape: PU Foam

This drawing is our property. It can't be reproduced or communicated without our written agreement.



Ledil Oy  
Salorankatu 10  
FIN 24240 SALO  
Finland

DRAWING TITLE Mechanical drawing  
RITA-WAS

DRAWN BY  
as

DATE  
27.9.2012

CHECKED BY  
sn

DATE  
-

SIZE  
A4

PART NUMBER

REV  
001

DESIGNED BY  
-

DATE  
-

SCALE

3:2

WEIGHT

- g

SHEET

1/1

D

A

1

1