

MODEL:

SR42UBEIS

SmartRack® Rack Enclosure with IP54 Rating



42 Rack Units



3000 lb.
Load Rating



Toolless
Mounting Slots



Heavy-Duty
Industrial
Casters



Standard
19-inch
Rack Width



Dust, Drip & Splash
Protection



Louvered Doors
for Drip-Resistant
Ventilation



12 Fans for Superior
Airflow

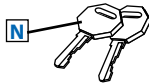
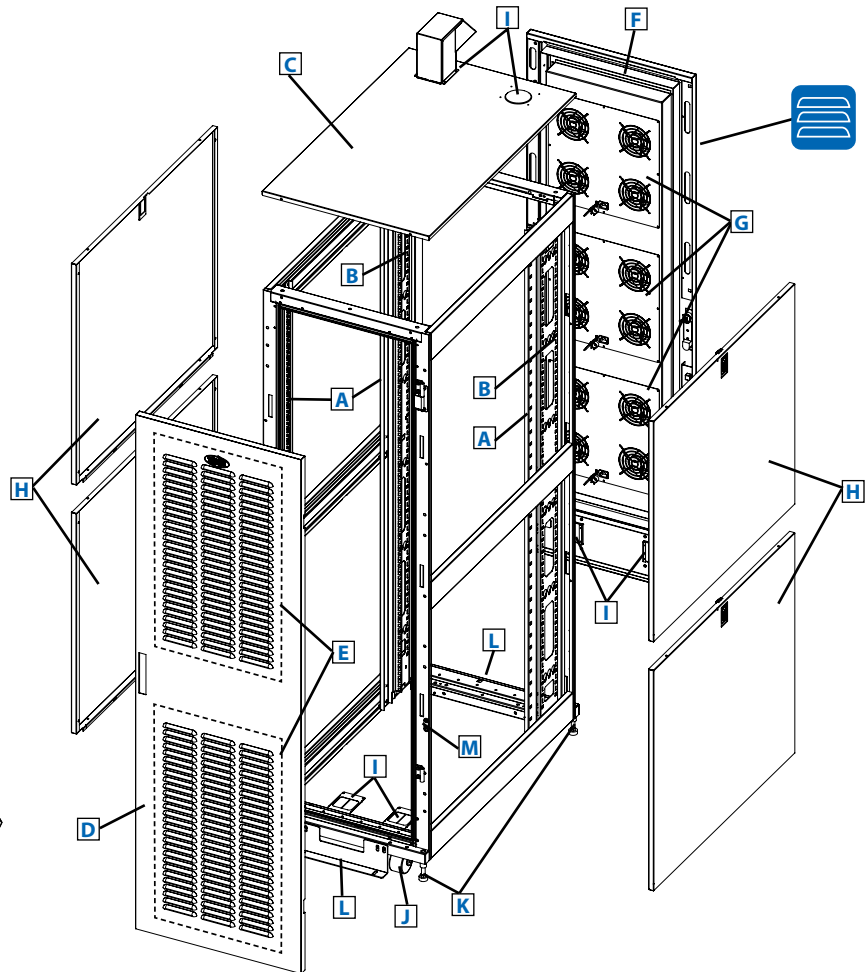


Replaceable
Dust Filters

- A** Adjustable Equipment Mounting Rails with Depth Index (4, Square Mounting Holes)
- B** Adjustable PDU Mounting Rails with Toolless Mounting Slots (2)
- C** Drip/Dust-Resistant Roof Panel (Removable)
- D** Front Door with Dust-Resistant Gasket (Louvered/Lockable/Removable)
- E** Off-the-Shelf Dust Filters (Replaceable)
- F** Rear Door with Dust-Resistant Gasket (Louvered/Lockable/Removable)
- G** High-Performance Ventilation Fans (12)
- H** Side Panels (4, Lockable/Removable)
- I** Drip/Dust-Resistant Cable Access Ports (6)
- J** Heavy-Duty Industrial Casters (4)
- K** Heavy-Duty Levelers (4)
- L** Floor Brackets (2)
- M** Integrated Baying Tabs (2)
- N** Keys (For doors and side panels.)

Also Includes: Owner's manual, fan power cords (3) and rackmount equipment mounting hardware (50 cage nuts, 50 mounting screws, 50 nylon cup washers).

Also Available: Shock pallet model (SR42UBEISSP1) supports equipment pre-installation and reshipment to final site. Reinforced shock pallet holds up to 1250 lb (567 kg), including the weight of the enclosure and pre-installed equipment.



- **IP54 (NEMA 12) Protection Rating:** Sealed, locking rack enclosure cabinet protects against dust, falling dirt, drips and splashes.

SEE NEXT PAGE FOR DETAILED UNIT MEASUREMENTS

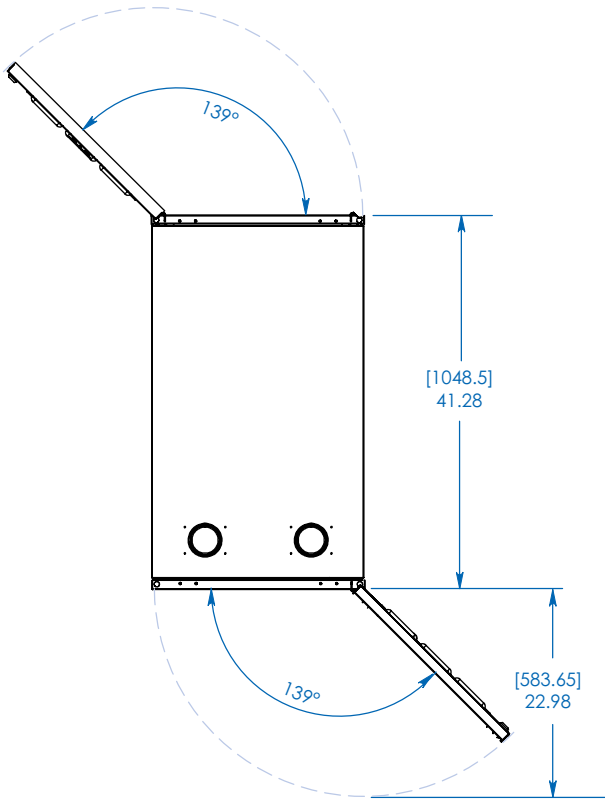


1111 W. 35th Street
Chicago, IL 60609 USA
773.869.1234
www.tripplite.com

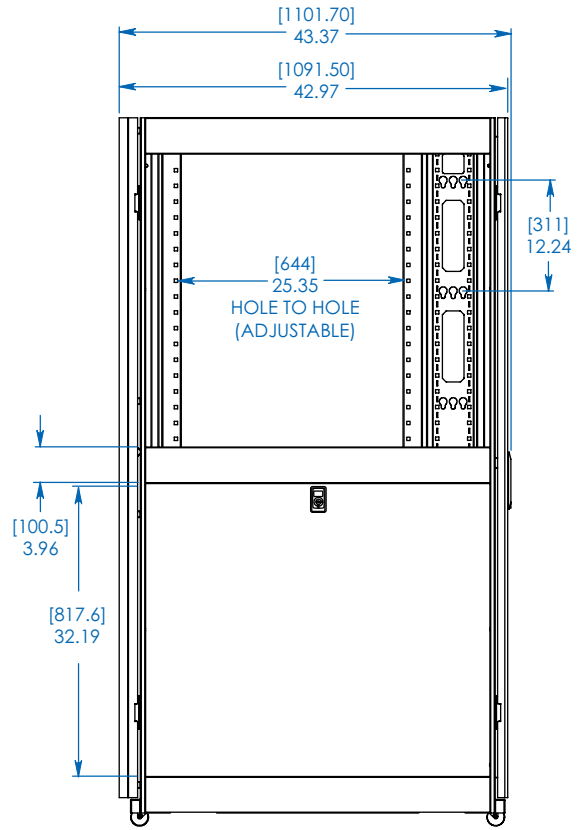


Specifications

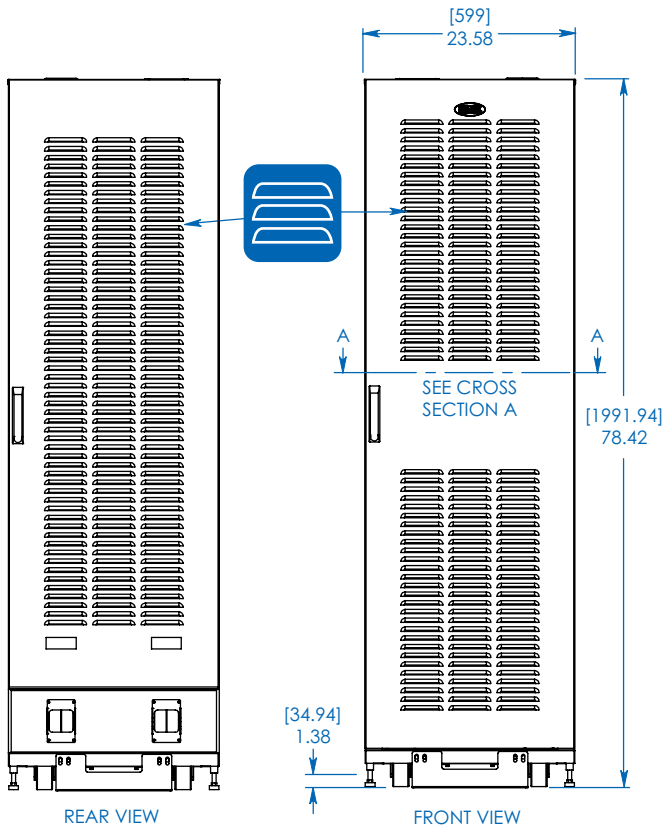
Model	SR42UBEIS
Rack Spaces	42U
Stationary Load Rating	3000 lb. / 1361 kg
Rolling Load Rating	3000 lb. / 1361 kg
Unit Dimensions (H x W x D)	78.4 x 23.6 x 43.4 in. / 1991 x 600 x 1102 mm
Shipping Dimensions (H x W x D)	86.5 x 26 x 45 in. / 2197 x 660 x 1143 mm
Unit Weight	310 lb. / 140.6 kg
Shipping Weight	352 lb. / 159.7 kg
Standards	IP54 (NEMA 12), EIA/ECA-310-E, GOST, RoHS



TOP VIEW

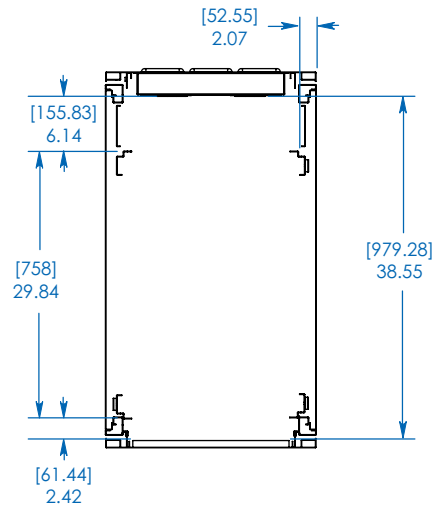


SIDE VIEW



REAR VIEW

FRONT VIEW



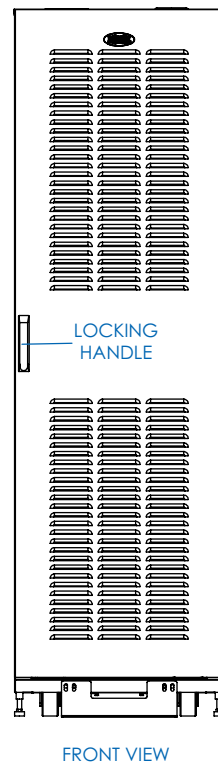
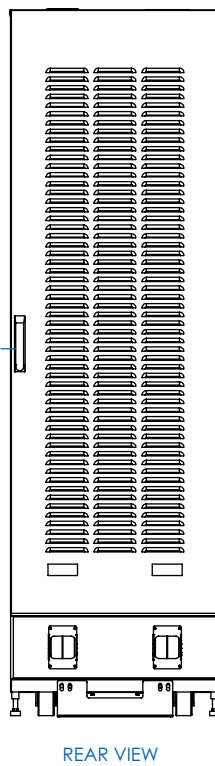
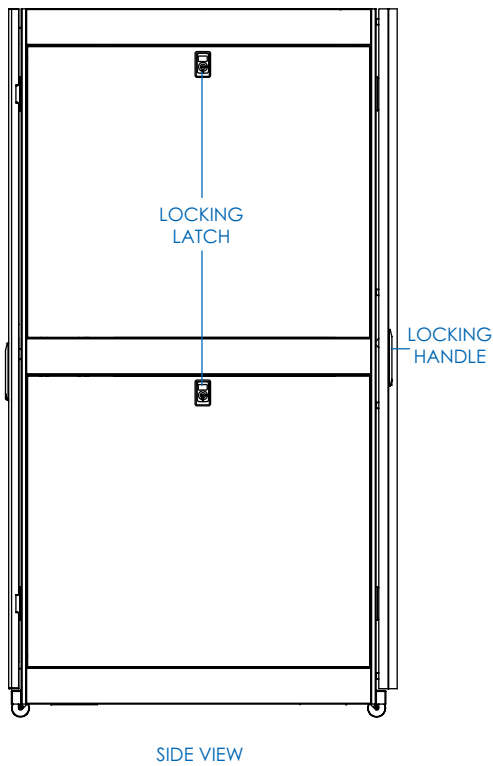
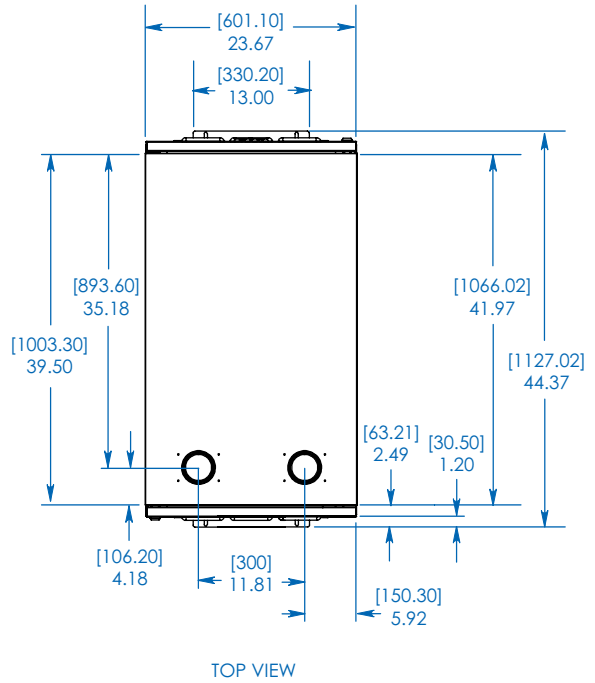
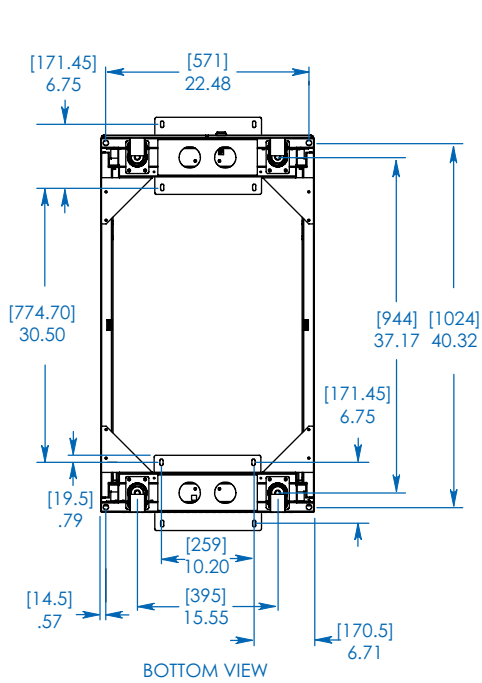
CROSS SECTION A
USABLE MOUNTING DEPTH

MODEL:
SR42UBEIS



Dimensions: [mm] INCHES

Tripp Lite has a policy of continuous improvement. Specifications are subject to change without notice.



Dimensions: [mm] INCHES

Tripp Lite has a policy of continuous improvement. Specifications are subject to change without notice.

MODEL:
SR42UBEIS



1111 W. 35th Street
Chicago, IL 60609 USA
773.869.1234

www.tripplite.com