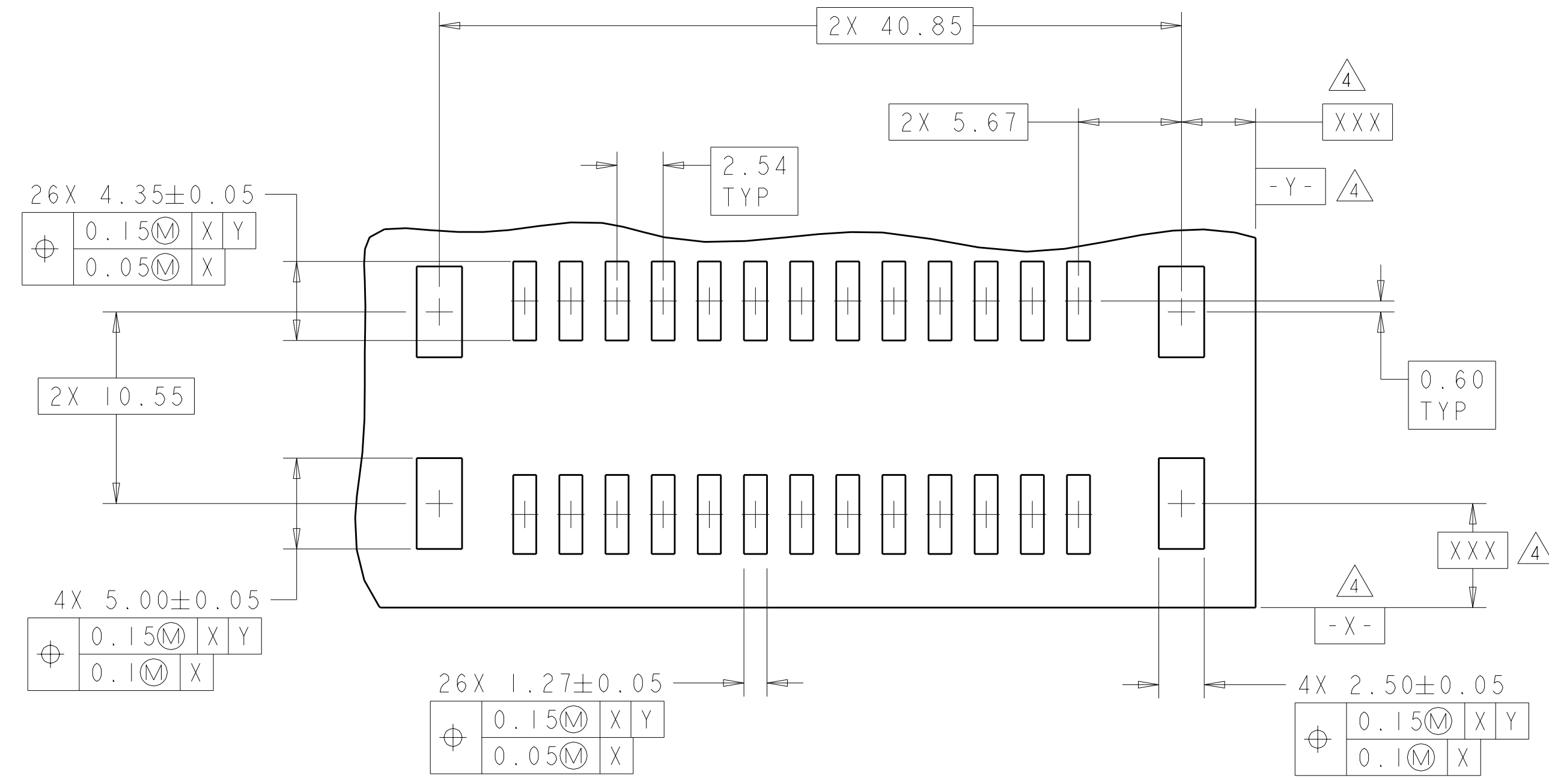
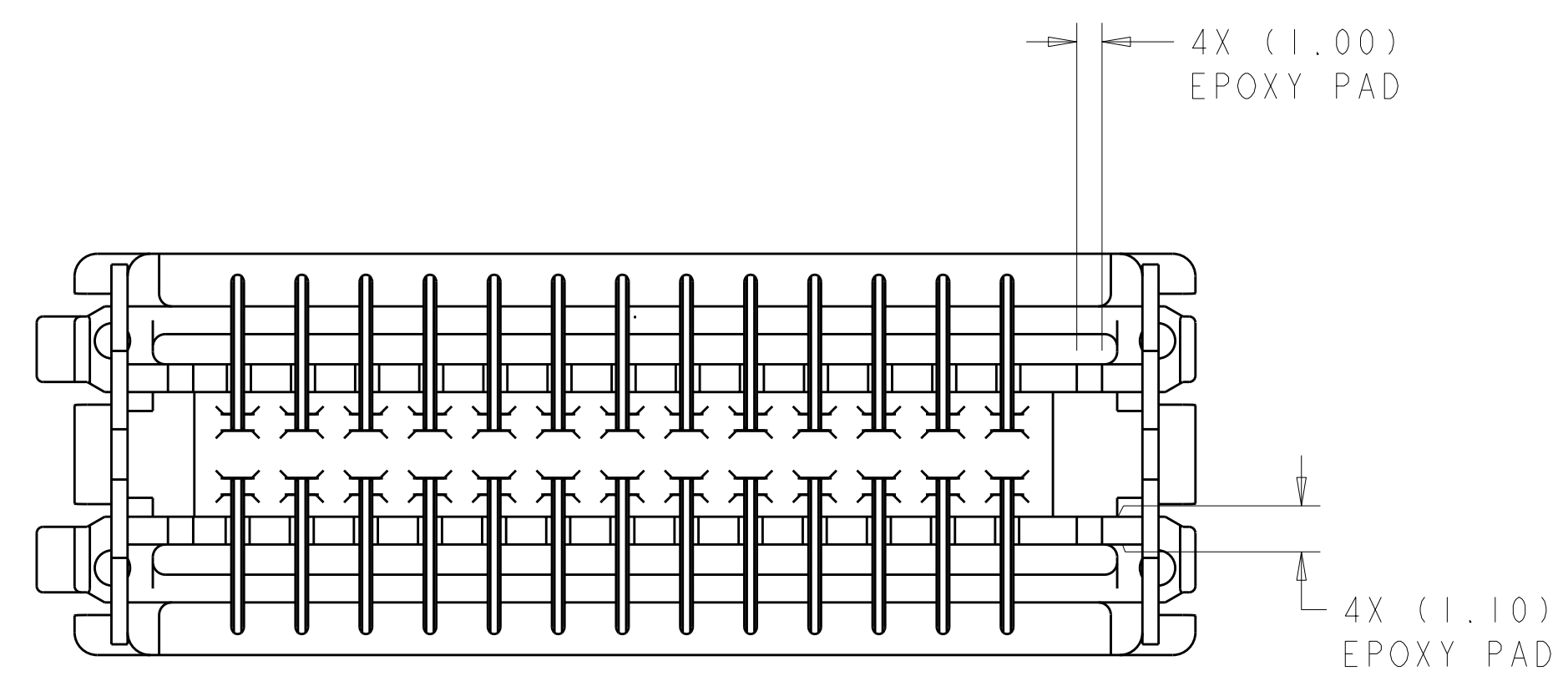
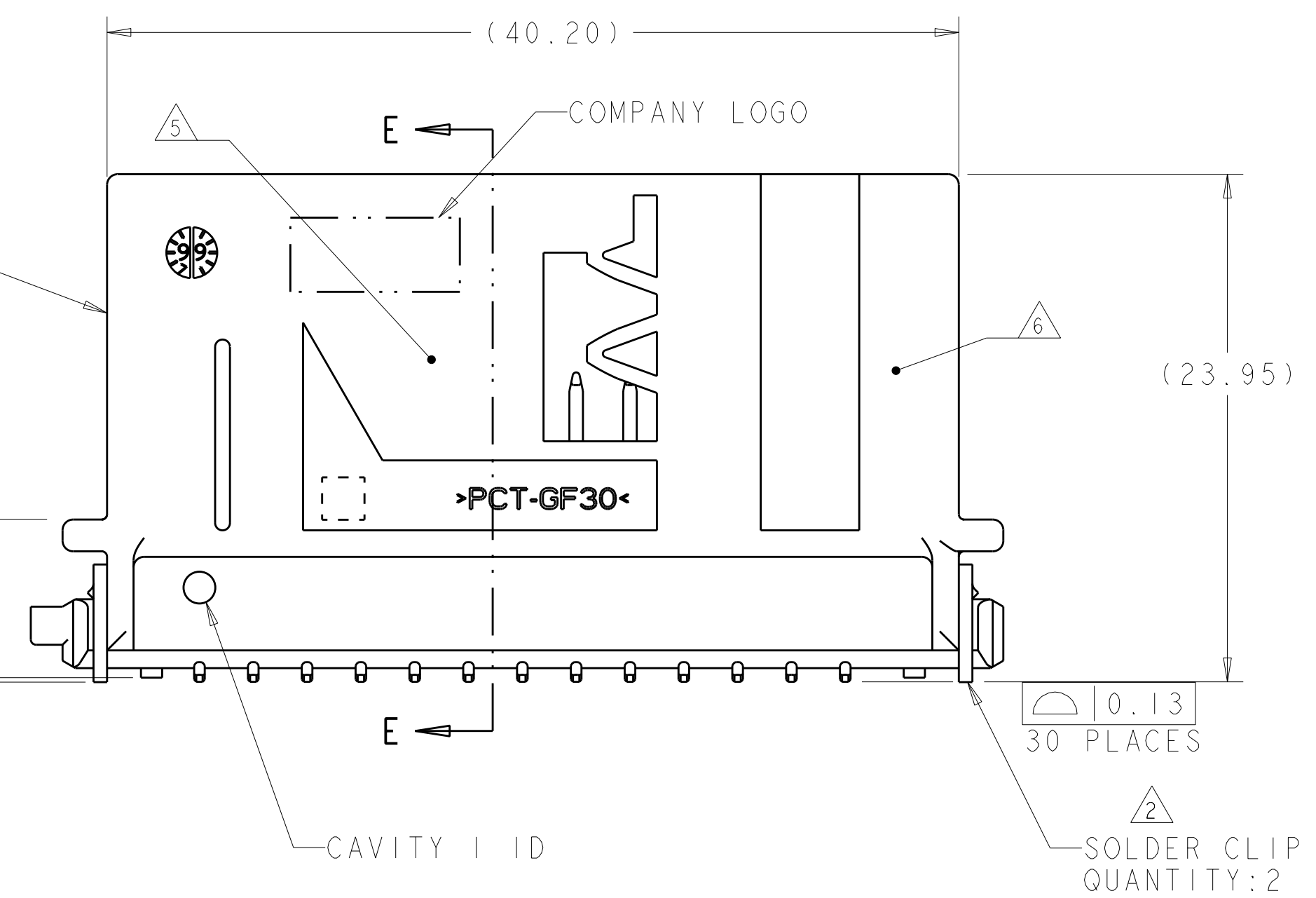
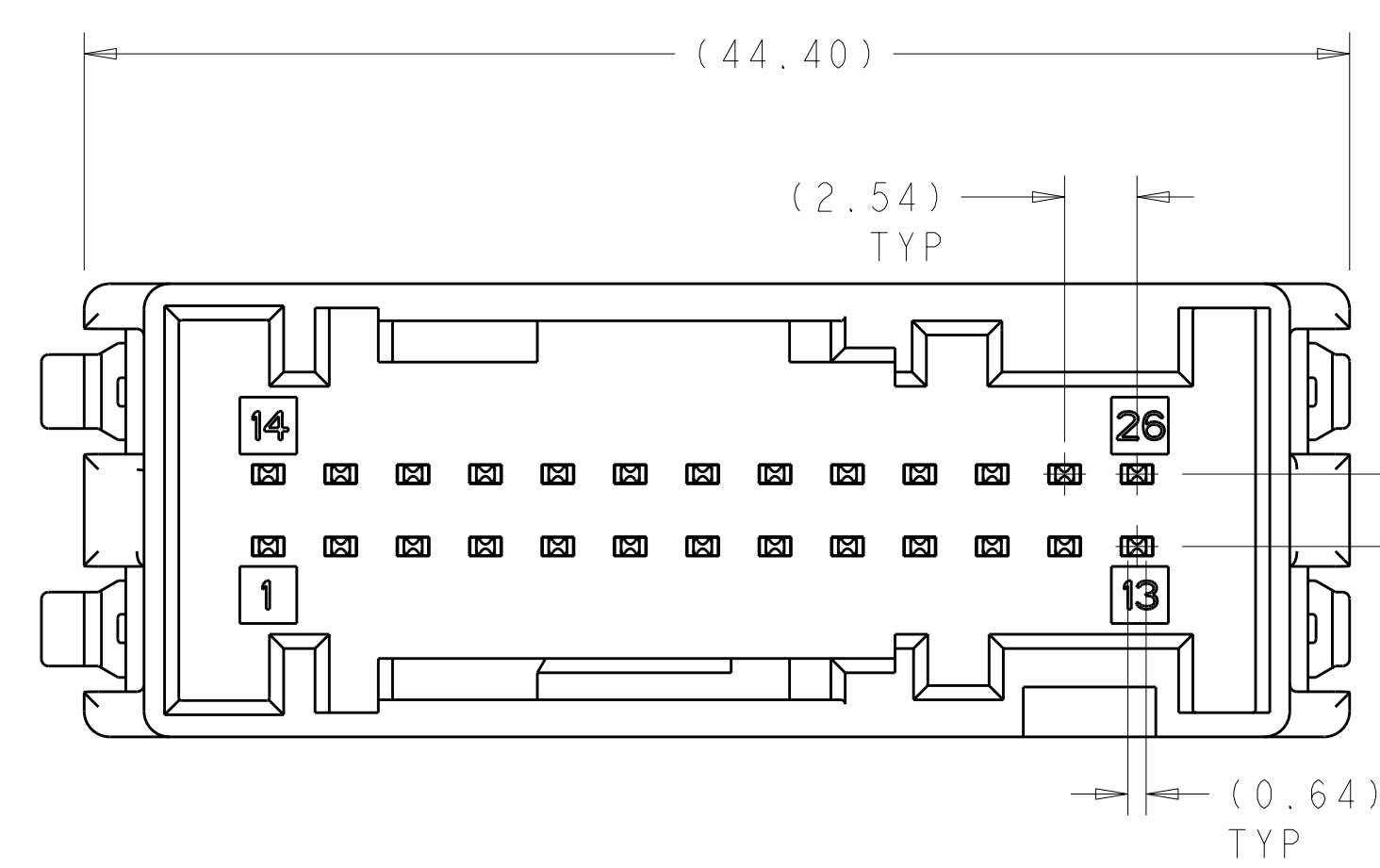
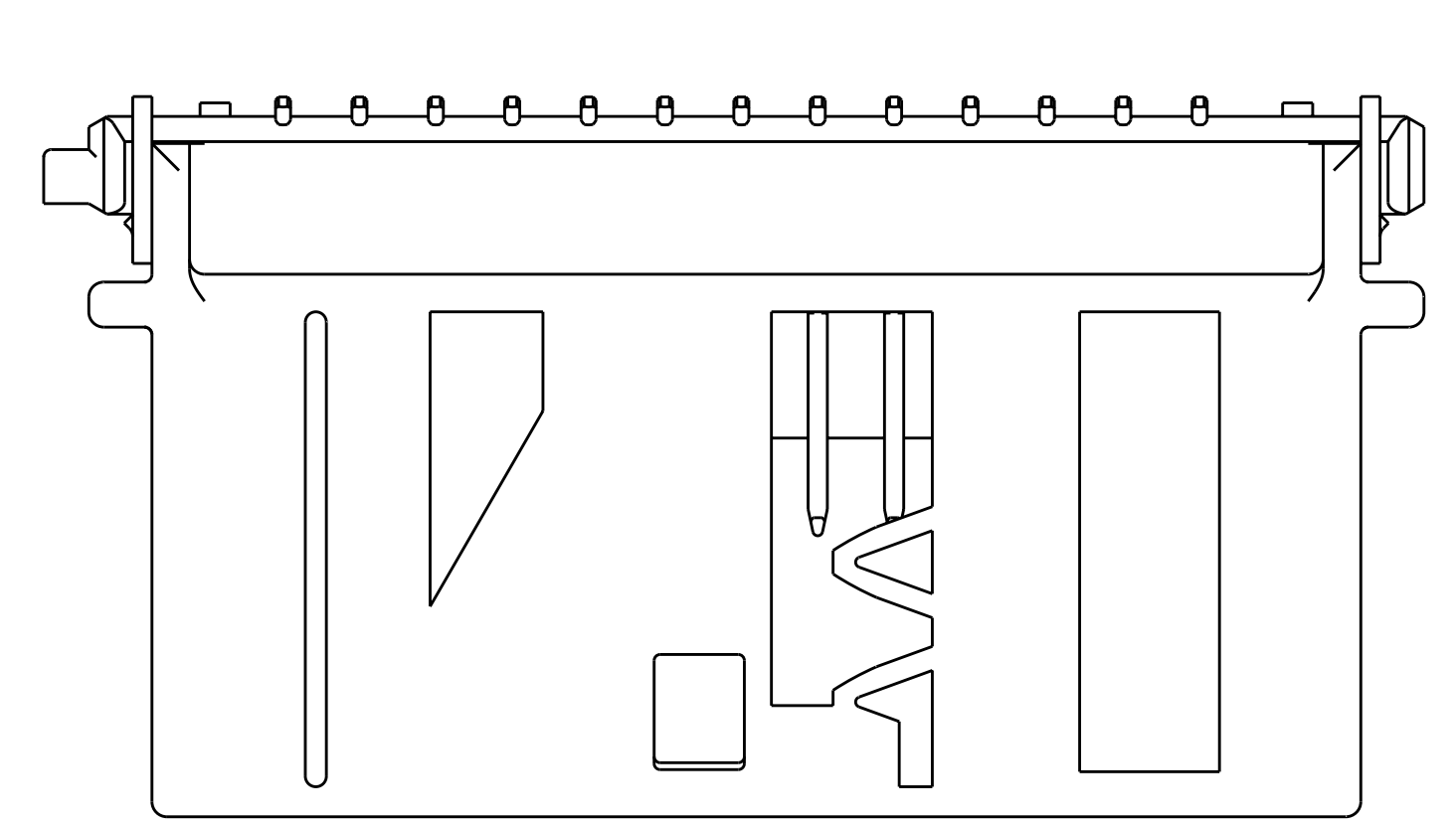
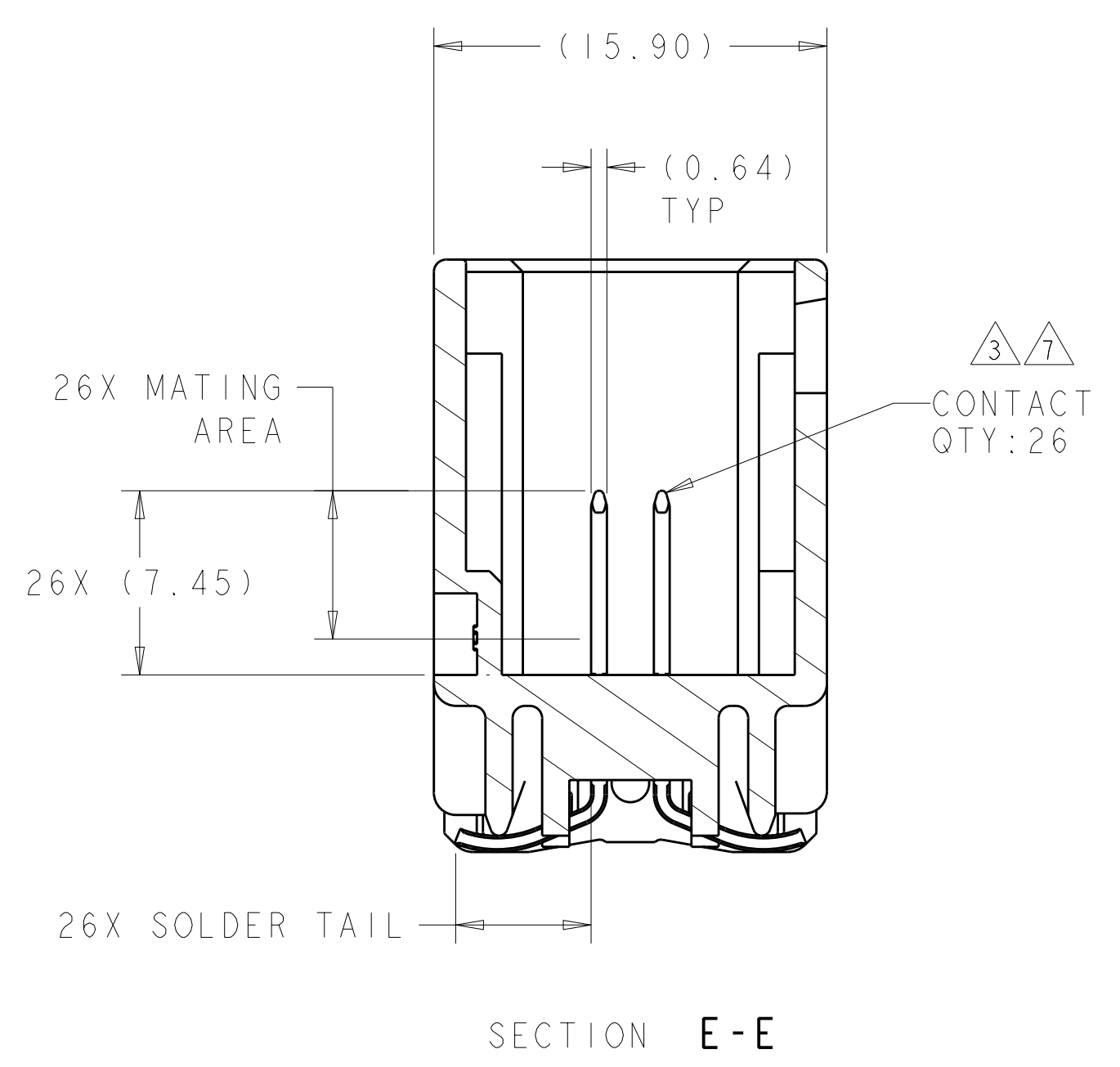


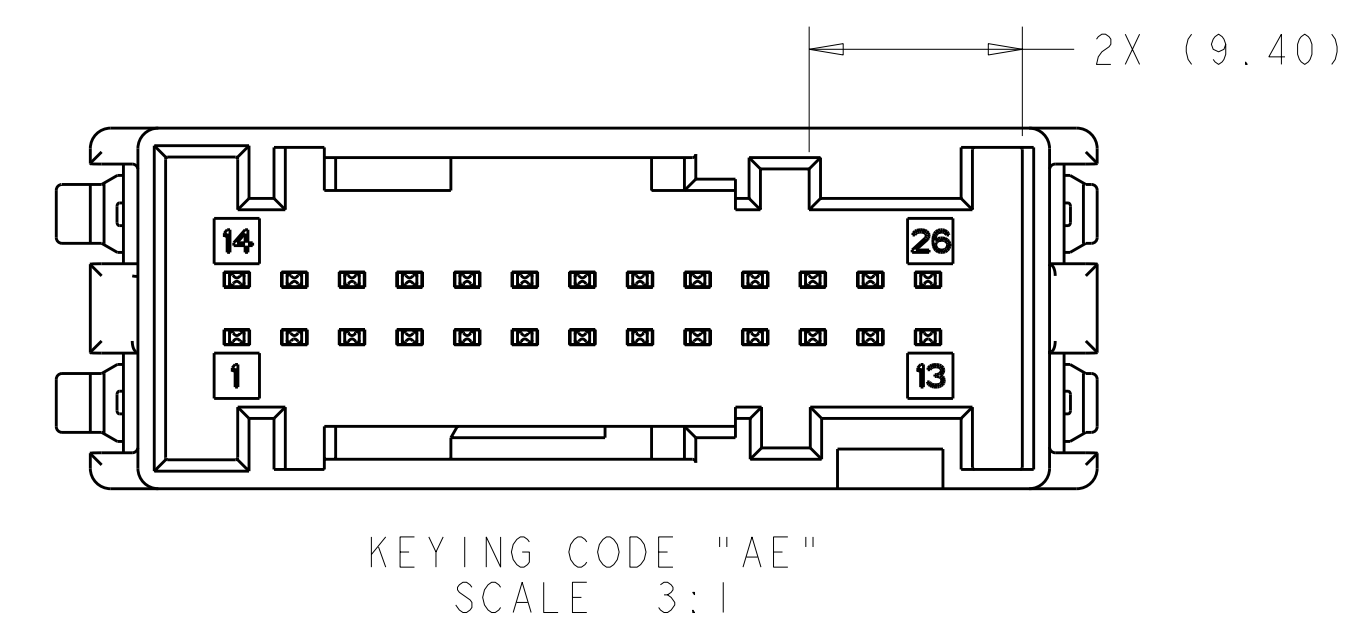
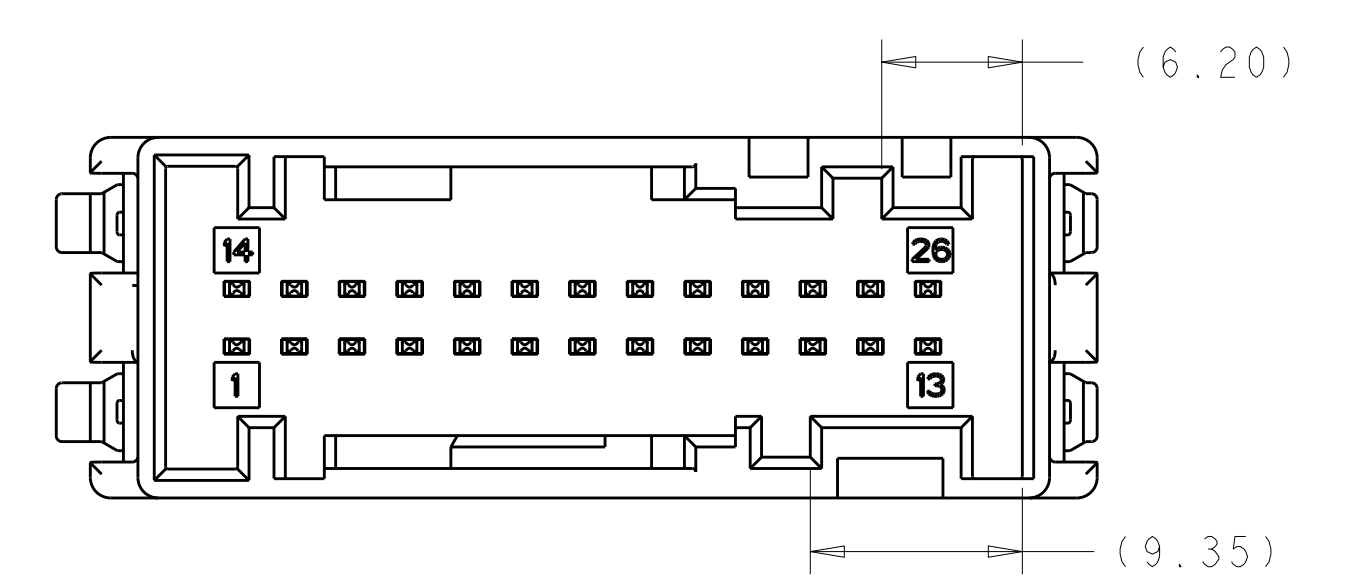
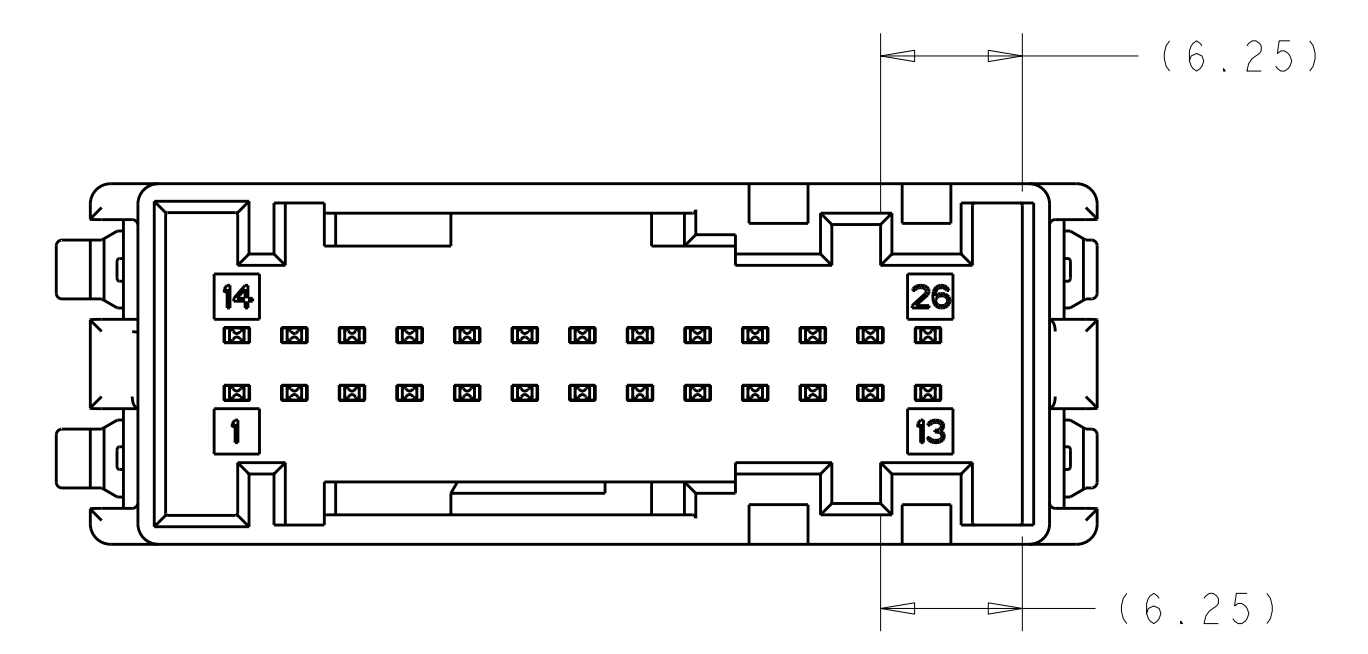
| LOC | DIST | REV | DATE | BY | CHKD | APVD | DESCRIPTION |
|-----|------|-----|-----------|-----|------|------|----------------------------|
| 1N | 00 | | | | | | |
| | | A | 21JAN2008 | RGV | RDH | | RELEASED PER ECO-08-001177 |
| | | A1 | 21MAY2008 | DLD | RDH | | REVISED PER ECO-08-011990 |
| | | A2 | 24NOV2009 | DLD | CJS | | REVISED PER ECO-09-026137 |
| | | A3 | 31MAY2010 | VSS | CS | | REV PER ECR-10-011823 |



RECOMMENDED PC BOARD LAYOUT
 CONNECTOR SIDE OF BOARD
 SCALE 4:1



- 1 HOUSING: PCT, COLOR - SEE TABLE.
CONTACTS: BRASS.
SOLDER CLIP: BRASS.
- 2 SOLDER CLIP: 3.8µm MIN TIN OVER 1.27µm MIN NICKEL.
- 3 CONTACT: 0.8µm MIN TIN IN MATING AREA AND 2.5µm MIN TIN IN SOLDER TAIL ALL OVER 1.00µm NICKEL.
- 4 DATUMS AND BASIC DIMENSIONS ESTABLISHED BY THE CUSTOMER.
- 5 ASSEMBLY DATE CODE.
- 6 PRODUCT PART NUMBER.
- 7 CONTACT: 0.38µm MIN GOLD IN MATING AREA AND 2.5µm MIN TIN IN SOLDER TAIL AREA, ALL OVER 1.00µm NICKEL.



| FINISH | PACKAGE TUBE | KEYING CODE | COLOR | PART NUMBER |
|--------|----------------|------------------|---------|-------------|
| 7 | NON RETURNABLE | KEYING CODE "BF" | BLUE | 1-1924678-6 |
| 7 | NON RETURNABLE | KEYING CODE "AE" | BLACK | 1-1924678-5 |
| 3 | NON RETURNABLE | KEYING CODE "BF" | NATURAL | 1-1924678-4 |
| 3 | NON RETURNABLE | KEYING CODE "BF" | BLUE | 1-1924678-3 |
| 3 | NON RETURNABLE | KEYING CODE "BE" | GRAY | 1-1924678-2 |
| 3 | NON RETURNABLE | KEYING CODE "AE" | BLACK | 1-1924678-1 |
| 3 | RETURNABLE | KEYING CODE "BF" | NATURAL | 1924678-4 |
| 3 | RETURNABLE | KEYING CODE "BF" | BLUE | 1924678-3 |
| 3 | RETURNABLE | KEYING CODE "BE" | GRAY | 1924678-2 |
| 3 | RETURNABLE | KEYING CODE "AE" | BLACK | 1924678-1 |

| | | | | | | | |
|------------------------|--|--|--|---|--|---|--|
| DIMENSIONS: mm | | TOLERANCES UNLESS OTHERWISE SPECIFIED: 9 PLC ± 1 PLC ± 3 PLC ± 4 PLC ± ANGLES ± FINISH ± | | DWN BY: FOLTZ 25JUL2007 CHK: G. MARTIN 25JUL2007 APVD: G. MARTIN 25JUL2007 | | Tyco Electronics Harrisburg, PA 17105-3608 | |
| MATERIAL: SEE CALLOUTS | | WEIGHT: - CUSTOMER DRAWING | | NAME: HEADER ASSEMBLY, 26 WAY, HAND MATE, VERTICAL, WITH SOLDER CLIPS, SURFACE MOUNT, LAC | | SIZE: A11 00779 C=1924678 SCALE: 4:1 SHEET 1 OF 1 REV A3 | |