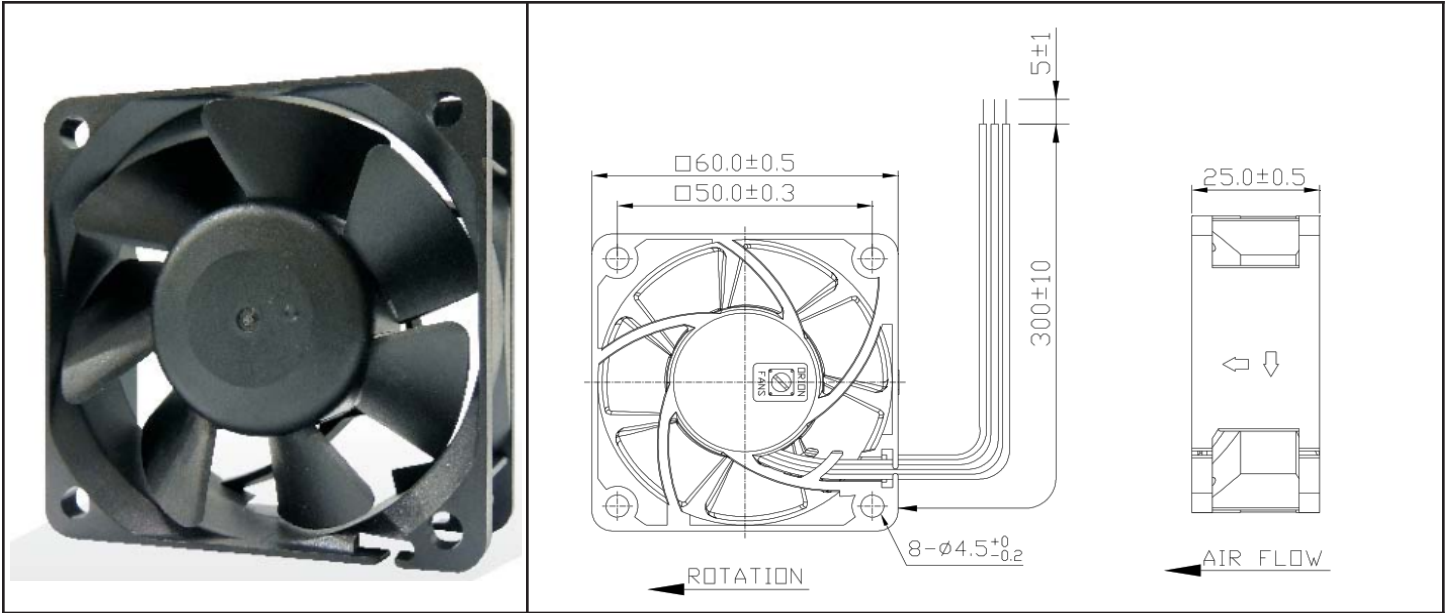


OD6025-24HB02A



DC Fan - 24V

60x25mm (2.36"x 1.0")



Frame & Impeller	PBT, UL94V-O plastic	Options: Alarm - Open Collector	
Connection	3X Lead wires 24AWG Red+, Black-, Yellow Alarm	Life Expectancy (L10) Ball - 70,000 hrs (40C)	
Motor	Brushless DC, auto restart, polarity protected	Operating Temperature Ball: -10C ~ +70C	
Bearing System	Dual Ball bearing	Storage Temperature -40C ~ +80C	
Insulation Resistance	10M ohm between leadwire and frame (500VDC)	Weight: ~ 0.15 lbs	
Dielectric Strength	1 minute at 500 VAC, max leakage < 500 MicroAmp	m1 Rev C	

Model Number	OD6025-24HB02A
Part Number	163141231
Rated Voltage	24 VDC
Rated Current	0.12 A
Input Power	2.88 W
Rated Speed (RPM)	4500
Airflow (CFM)	24
Noise Level (dB)	33
Max. Static Pressure	0.25 "H ₂ O

