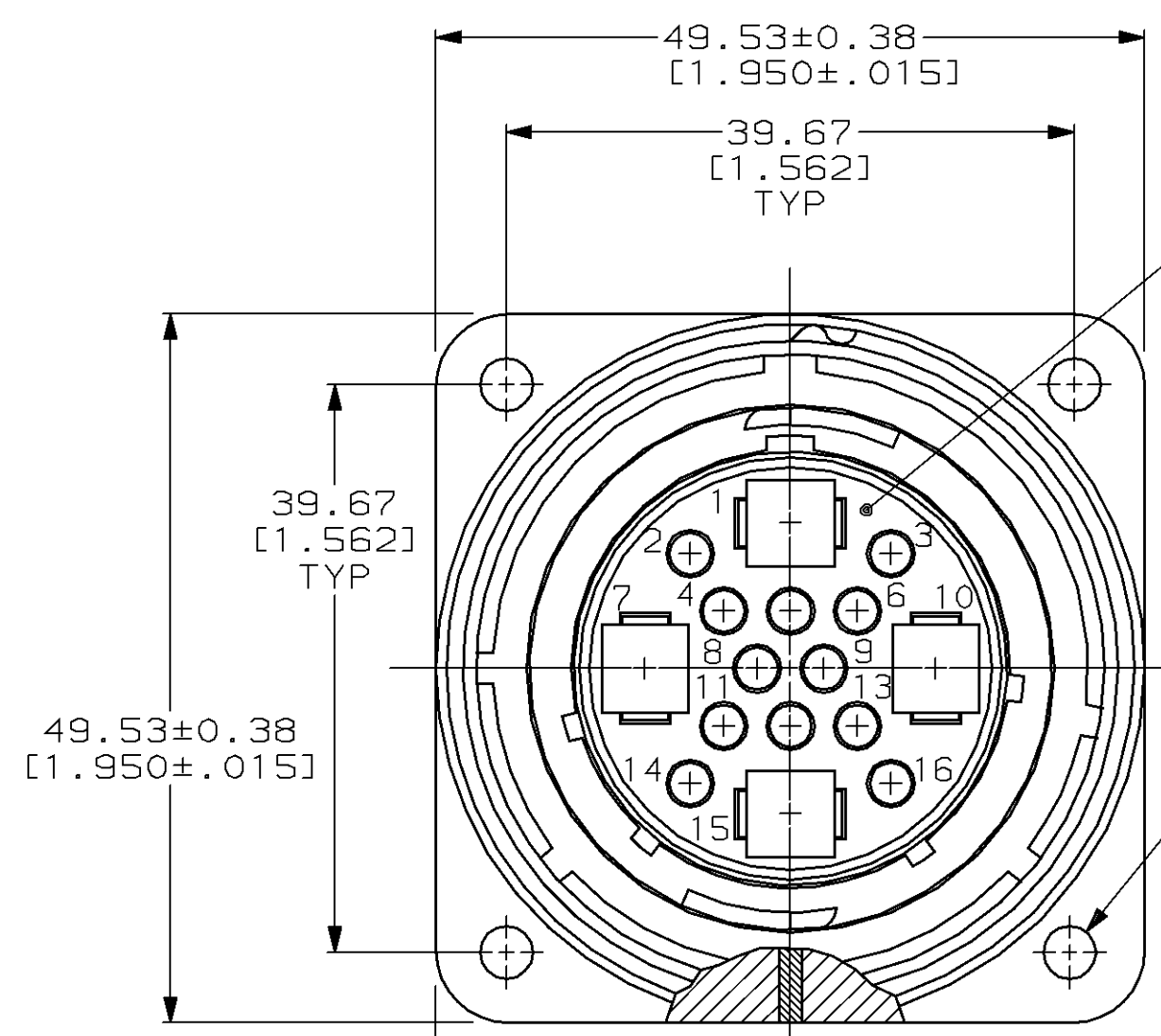


MOD	LOC	DIST	P	F	ZONE	LTR	DESCRIPTION	DATE	APPD
4	BD	35				J	REDRAWN W/O CHANGE PER EC 0020-774-94	09/04/94	AF
						K	OBS -2 PER EC 0020-0394-93	11/17/94	RK



RECEPTACLE, STD SEX
 ARRANGEMENT 23-16M
 MATERIAL: THERMOPLASTIC
 COLOR: BLACK

METAL SHELL RECEPTACLE
 MATERIAL: ZINC ALLOY
 FINISH: NICKEL PLATED
 PER QQ-N-290

GROOVED PIN, 2 PLC
 MATERIAL: STEEL ALLOY
 FINISH: NICKEL PLATED
 PER QQ-N-290

PERIPHERAL SEAL
 SEE TABLE

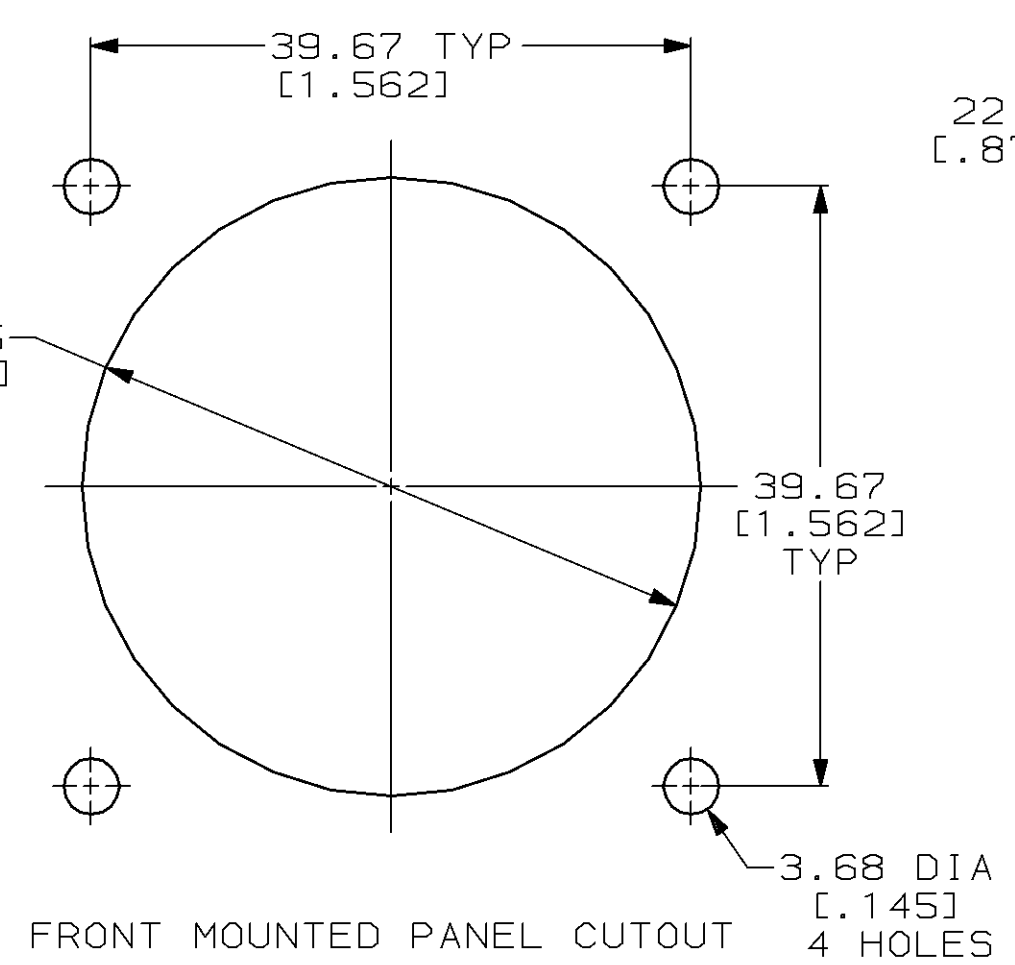
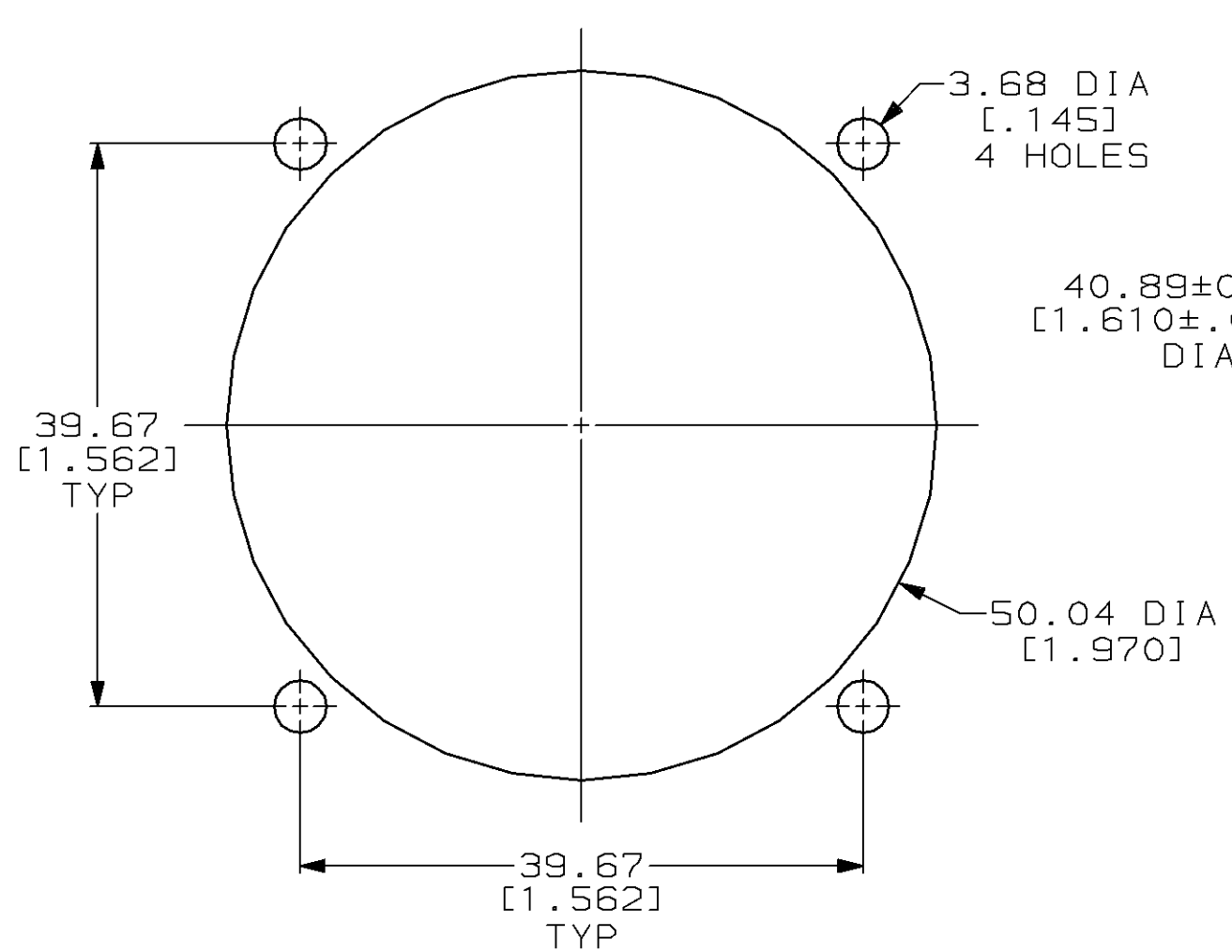
48.26 MAX [1.900]

3.18 MAX [.125]
 PANEL THK

3.18±0.25 [.125±.010]

22.22±0.25 [.875±.010]

46.36 MAX [1.825]



REAR MOUNTED PANEL CUTOUT

FRONT MOUNTED PANEL CUTOUT

OBSOLETE	YES	208479-2
	NO	208479-1
PERIPHERAL SEAL	PART NUMBER	

- RECEPTACLE MATES WITH AMP PLUG 208478-1.
- AMP PART NUMBER AND DATE CODE TO BE LOCATED ON EDGE OF FLANGE.

DO NOT SCALE PRINT. UNLESS SPECIFIED DIMENSIONS IN mm [INCHES] TOLERANCES ON : 2 PLC DEC ±0.13 [.005] 3 PLC DEC ± - ANGLES ± -	DR 09-04-94 D.HARDY	AMP Incorporated Harrisburg, PA 17105-3608
	CHK 09-09-94 R.STONE	
MATERIAL SEE CALL OUT	APPD 09-30-94 A.FRANTUM	NAME
	APPD 09-30-94 A.FRANTUM	RECEPTACLE ASSEMBLY, 28-16M, STANDARD SEX, CMC
FINISH SEE CALL OUT	APPLICATION SPEC	SIZE
		CAGE CODE
	WEIGHT -	DRAWING NO
		00779
		G=208479
		SCALE 2:1
		SHEET 1 OF 1

THIS DRAWING IS A CONTROLLED DOCUMENT FOR AMP INCORPORATED. IT IS SUBJECT TO CHANGE AND THE CONTROLLING ENGINEERING ORGANIZATION SHOULD BE CONTACTED FOR THE LATEST REVISION.