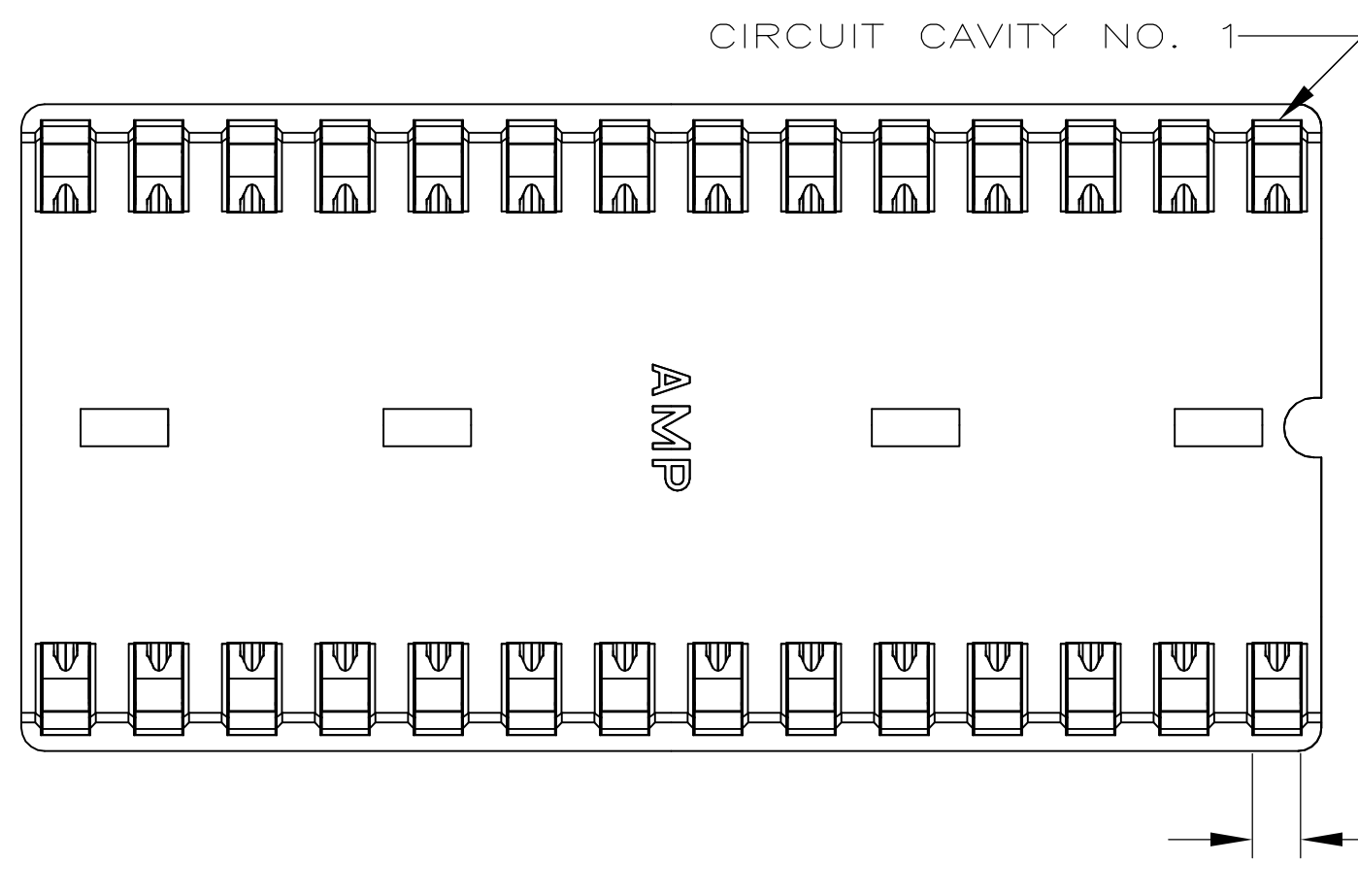
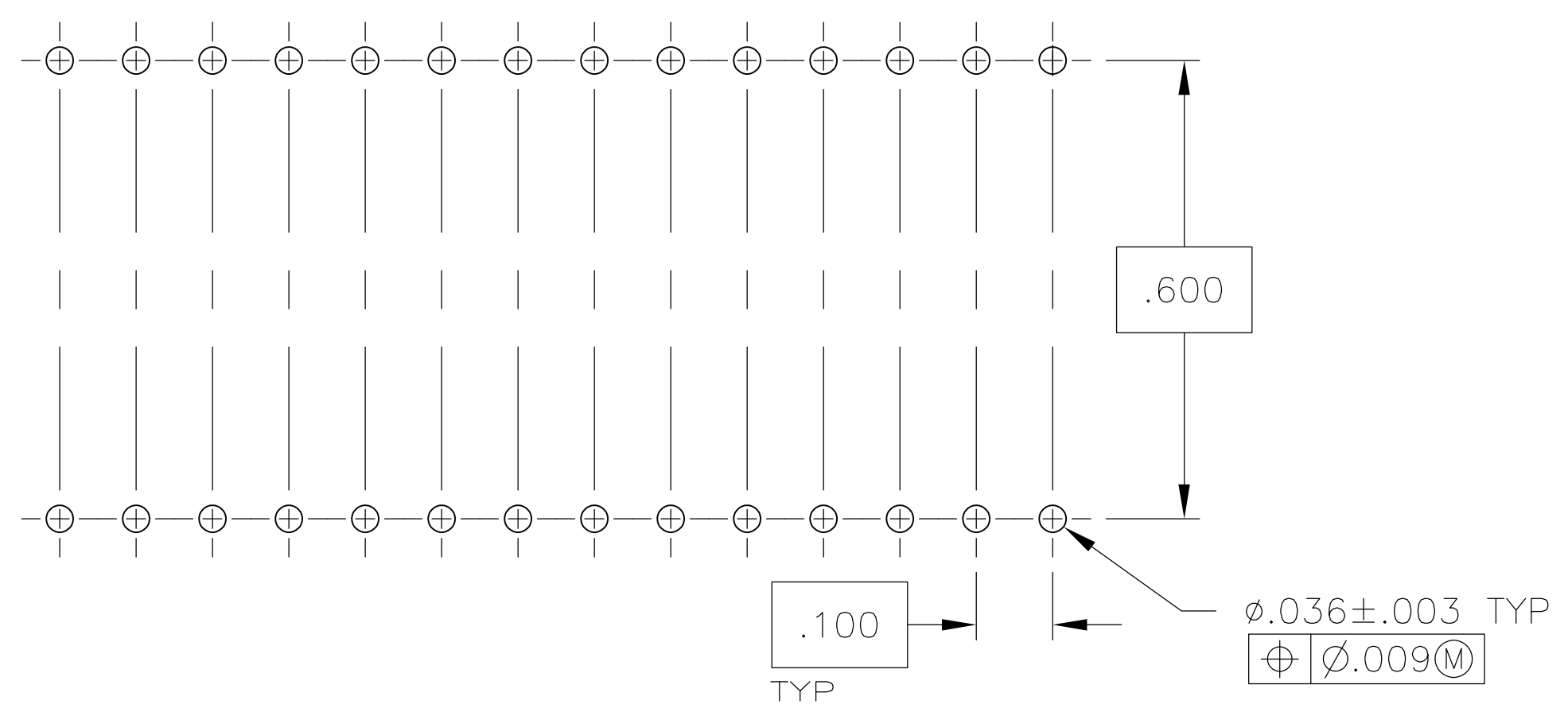
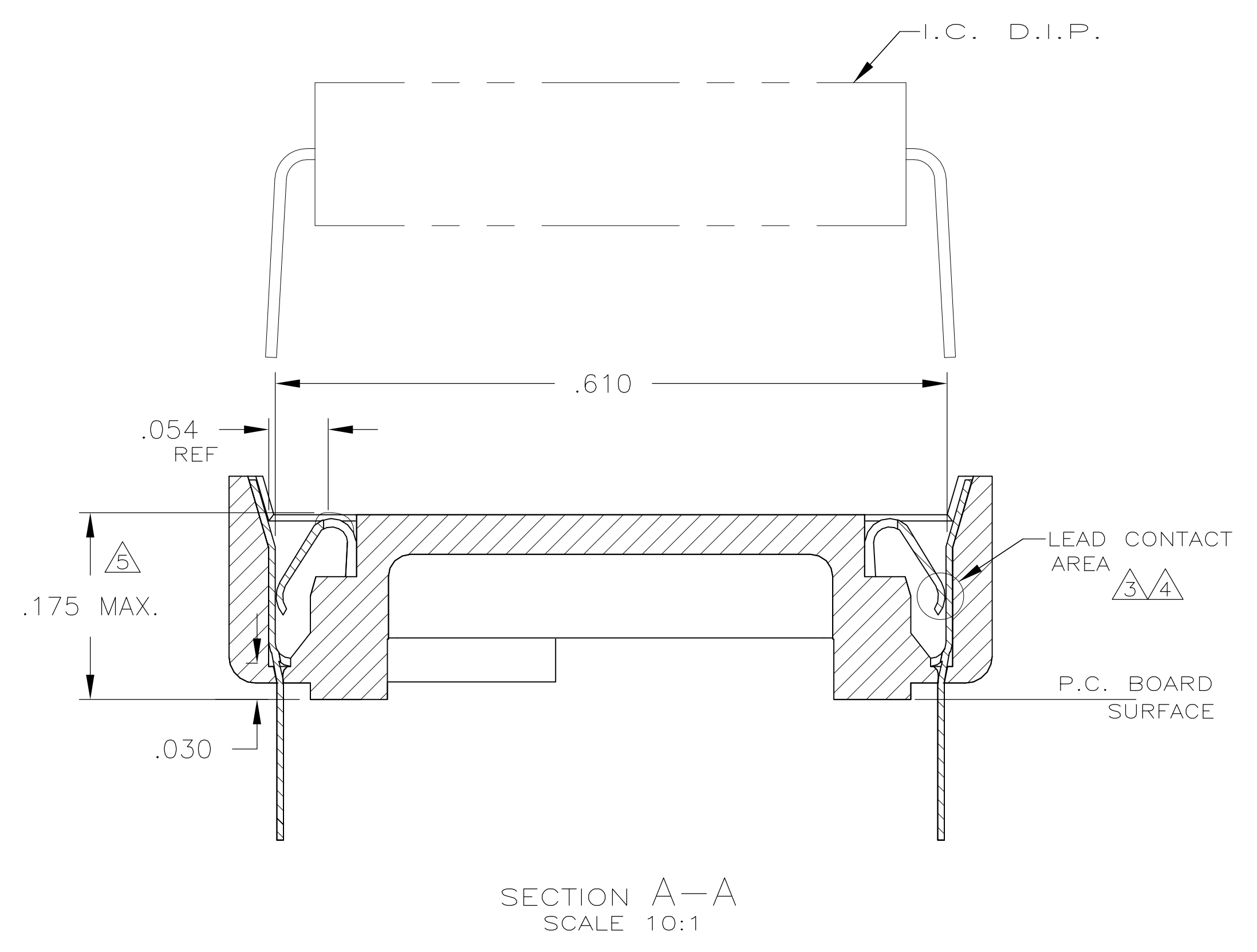
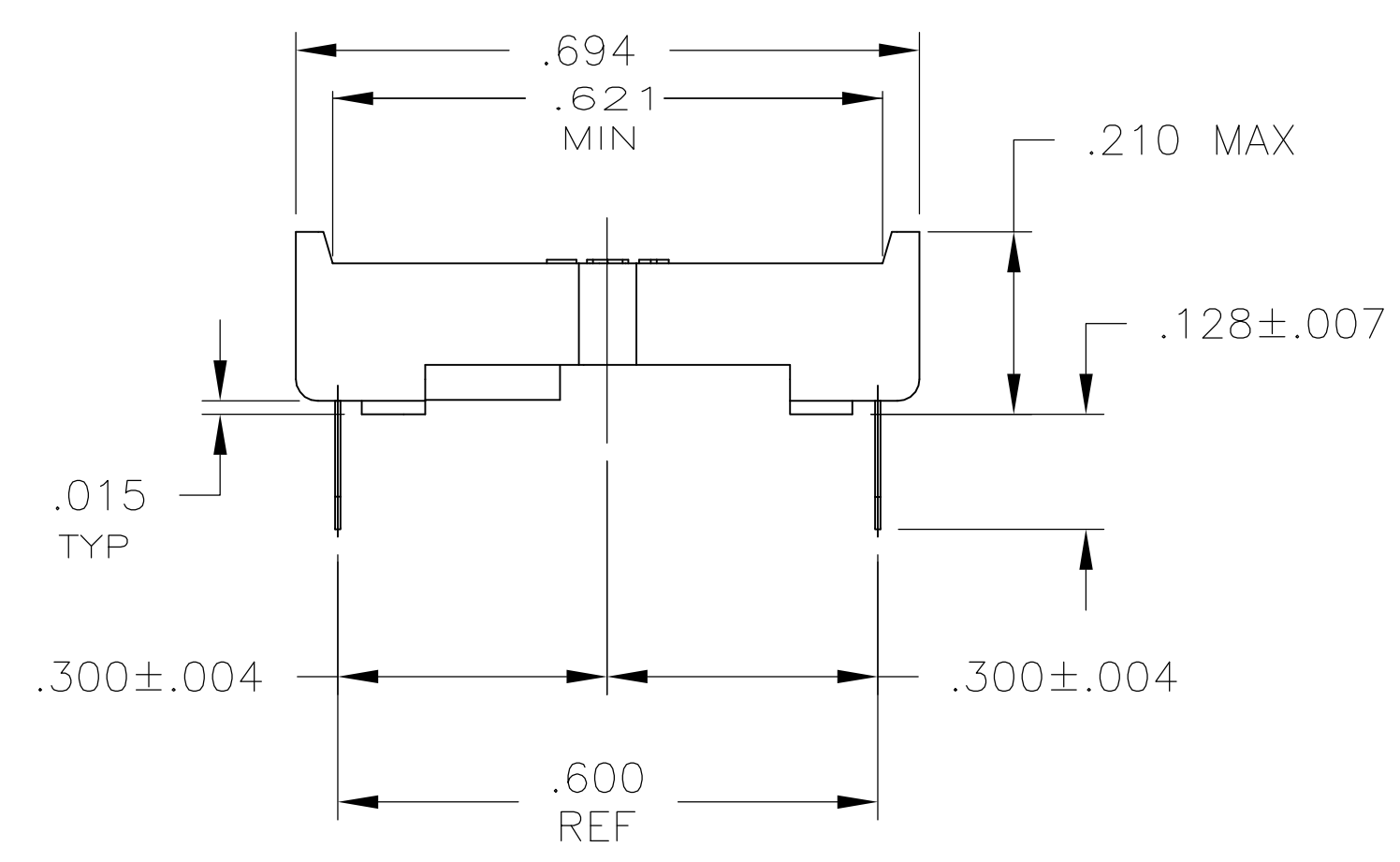
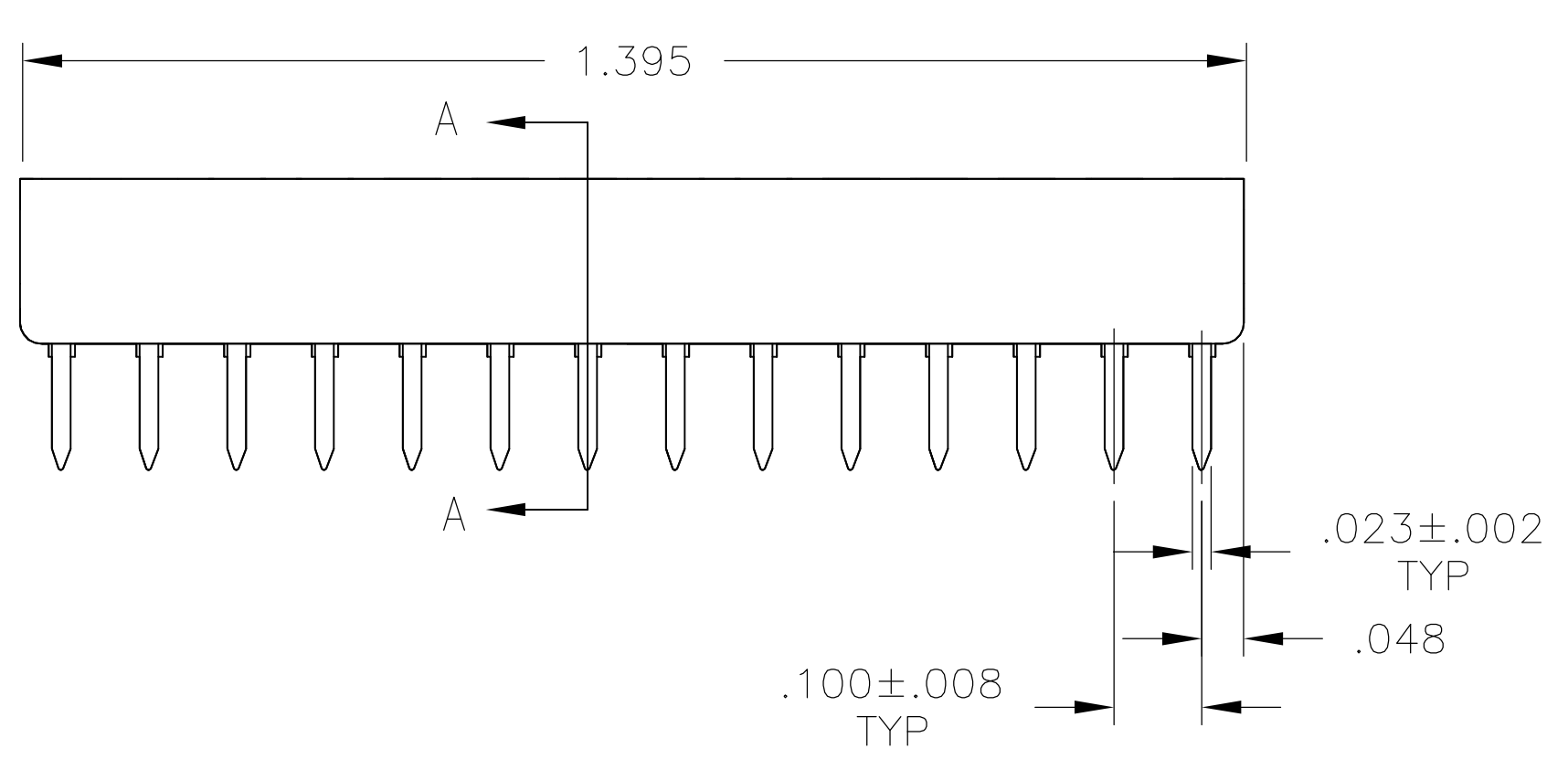


LOC		DIST		REVISIONS			
P	LTR	DESCRIPTION	DATE	DN	APVD		
AD1		REVISED PER ECO-11-004917	11MAR11	RK	HMR		



1. RECEPTACLE ACCEPTS A .008-.014 THICK I.C. LEAD.
2. TUBE LOADED FOR AUTOMATIC INSERTION.
3. TWO .000030 MIN THK. GOLD STRIPES IN CONTACT AREA WITH TIN-LEAD (93/7) ON CONTACT LEGS, BALANCE OF CONTACT NICKEL PLATED.
4. TWO .000015 MIN THK. GOLD STRIPES IN CONTACT AREA WITH TIN-LEAD (93/7) ON CONTACT LEGS, BALANCE OF CONTACT NICKEL PLATED.
5. MAXIMUM DIMENSION FOR I.C. SEATING PLANE.
6. SPECIAL PACKAGING.



RECOMMENDED MOUNTING HOLE PATTERN
SCALE 4:1

SUPSD BY	CONTACT FINISH	CONTACT MAT'L	HOUSING MATERIAL	PART NO.
SUPSD BY 390262-2	TINNED	BE.CU. .006 THK	GLASS-FILLED THERMOPLASTIC, 94V-0, BLACK	5-640362-1
		PHOS.BRZ. .006 THK	GLASS-FILLED THERMOPLASTIC, 94V-0, BLACK	2-640362-4
SUPSD BY 390262-2	TINNED	PHOS.BRZ. .006 THK	GLASS-FILLED THERMOPLASTIC, 94V-0, BLACK	2-640362-3
		BE.CU. .006 THK	GLASS-FILLED THERMOPLASTIC, 94V-0, BLACK	2-640362-2
SUPSD BY 390262-2	TINNED	BE.CU. .006 THK	GLASS-FILLED THERMOPLASTIC, 94V-0, BLACK	2-640362-1

THIS DRAWING IS A CONTROLLED DOCUMENT.

DIMENSIONS: INCHES	TOLERANCES UNLESS OTHERWISE SPECIFIED:	DIN M. CYRUS 2-20-87	APVD R. MILLER 2-20-87	NAME
0. PLC ± -	1. PLC ± -	2. PLC ± -	3. PLC ± .005	4. PLC ANGLES ± -
MATERIAL SEE TABLE	FINISH SEE TABLE	WEIGHT	SIZE 114-1049	RESTRICTED TO
CUSTOMER DRAWING		SCALE 5:1	SHEET 1 OF 1	REV AD1

STE TE Connectivity
SOCKET ASSY, DIP, 28 POS, DIPLOMATE DL