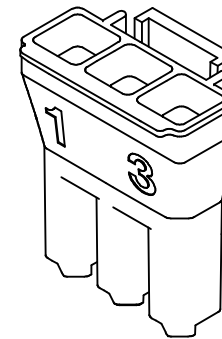
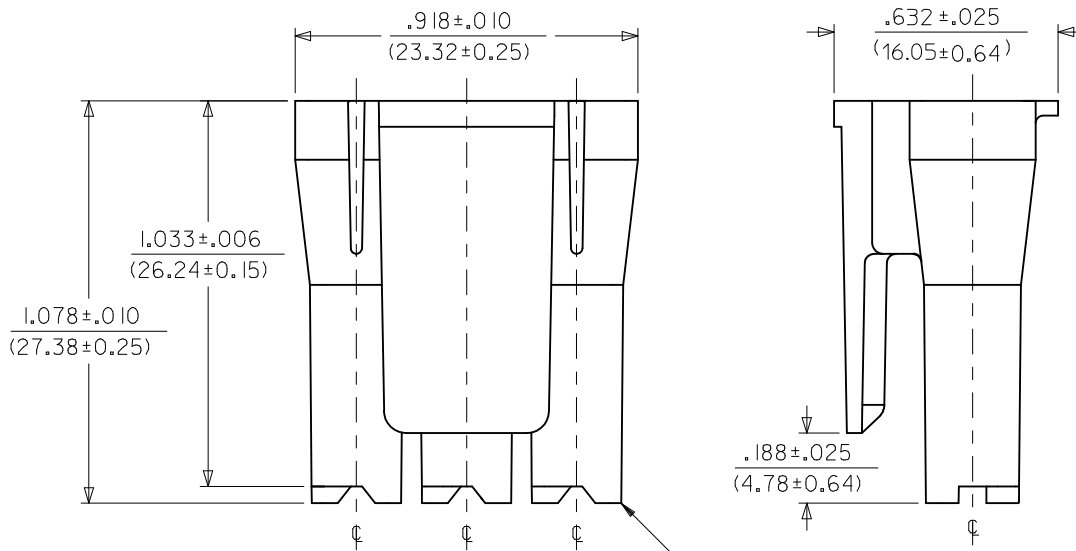


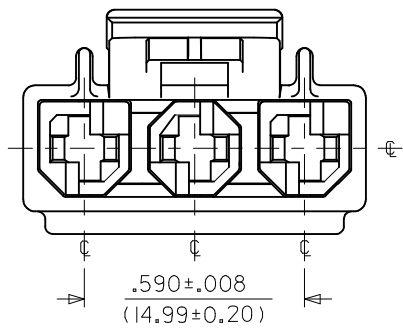
NOTES:

1. MATERIAL: SEE CHART.
2. THIS CONNECTOR HOUSING FOR USE WITH 43375-**** TERMINALS.
3. THIS CONNECTOR HOUSING WILL MATE TO A-43160-****3, 43180-****3, AND 43680-***3 HOUSINGS.
4. PRODUCT SPECIFICATION: PSX-44441-9999.
5. PACKAGING: PK-44441-001.
6. FOR V-0 AND GLOW-WIRE MATERIAL: PARTS CONFORM TO CLASS 'B' REQUIREMENTS OF COSMETIC SPECIFICATION PS-45499-002 BUT, MEETS CLASS 'C' REQUIREMENTS FOR BUBBLES, SINK AND DISCOLORATION.

ITEM NUMBER	MATERIAL	COLOR
44441-2003	UL94V-0 NYLON	BLACK
44441-1003	UL94V-2 NYLON	NATURAL (TRANSLUCENT)
44441-3003	UL94V-2 NYLON IEC 60335-1 GLOW WIRE CAPABLE	BLACK



44441-*003
(NO SCALE)



CIRCUIT 1

NOTE 6 EC NO: UCP2015-3600 DRAWN BY: 2015/03/06 CHKD: JDFOX APPR: FSMITH DESCRIPTION: 2015/03/26	QUALITY SYMBOLS	GENERAL TOLERANCES (UNLESS SPECIFIED)		DIMENSION STYLE IN/MM		SCALE 3:1	DESIGN UNITS INCH	THIRD ANGLE PROJECTION
	▽=0	4 PLACES ± --- ± ---	mm	INCH	DRAWN BY DATE GC 1995/01/06	TITLE 3-CIR. RECEPT. HOUSING .125 X .020 FLAT BLADE TPA W/THUMB LATCH	DOCUMENT NO. SD-44441-*003	SHEET NO. 1 OF 1
	▽=0	3 PLACES ± --- ± .010			CHECKED BY DATE KBP 1995/01/06			
	▽=0	2 PLACES ± 0.25 ± .014				APPROVED BY DATE RAS 1995/01/06		
	1 PLACE ± 0.35 ± ---				MATERIAL NO.			
	0 PLACE ± ±				ANGULAR ± 1/2°			
		DRAFT WHERE APPLICABLE MUST REMAIN WITHIN DIMENSIONS		SEE CHART		THIS DRAWING CONTAINS INFORMATION THAT IS PROPRIETARY TO MOLEX INCORPORATED AND SHOULD NOT BE USED WITHOUT WRITTEN PERMISSION		