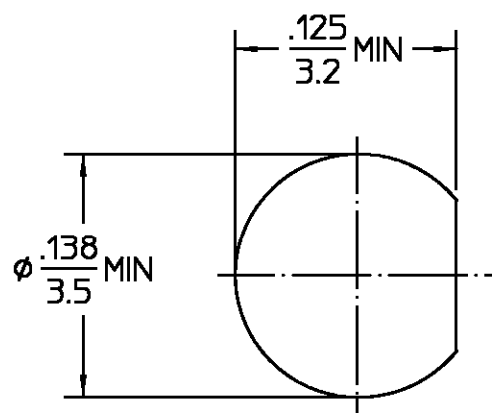
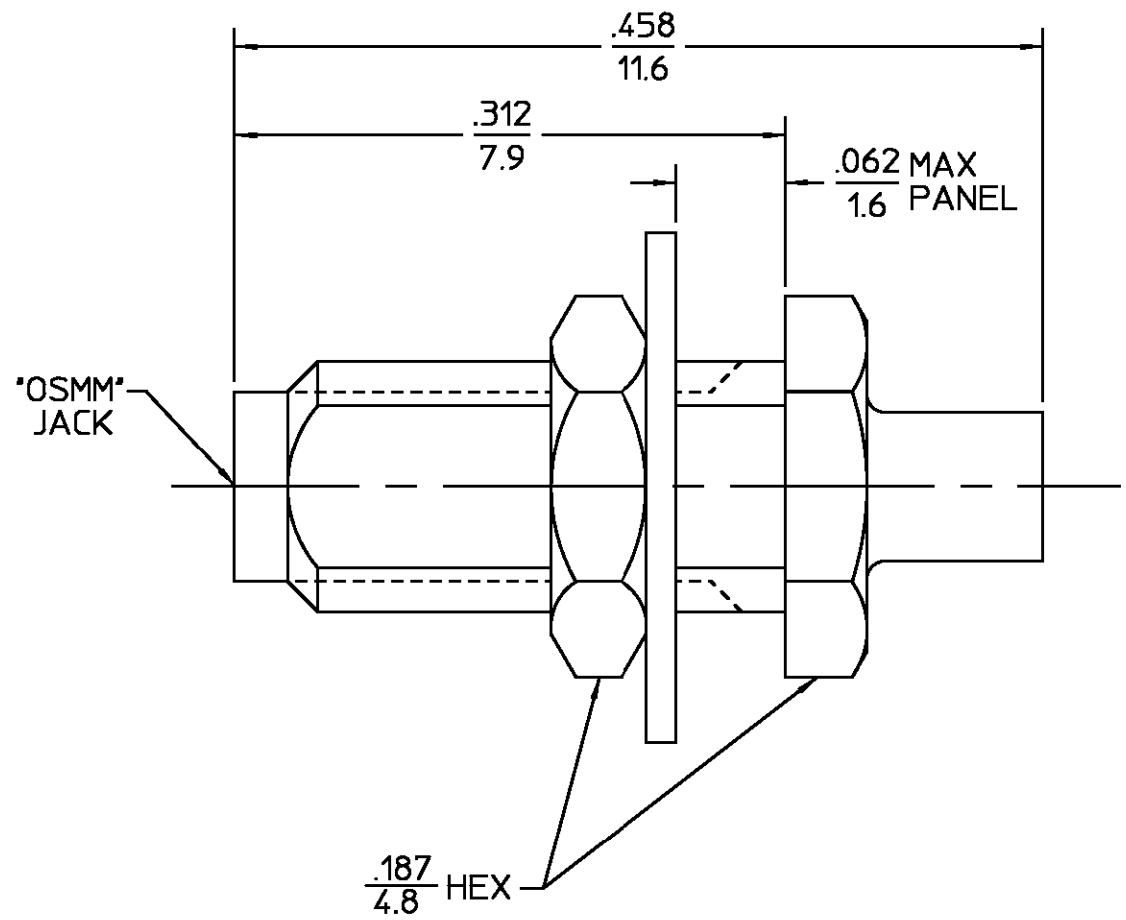


DESIGNED FOR USE WITH Ø .047 SEMI-RIGID CABLE		REVISIONS		
CABLE ENTRY DIAMETER MINIMUM	REV	DESCRIPTION	DATE	APPROVED
HOUSING	01 <sub>2</sub>	REVISED	7/23/86	<i>Ref</i>



RECOMMENDED MOUNTING HOLE

HOUSING MOUNTING NUT LOCKWASHER	STAINLESS STEEL PER ASTM-A484 AND ASTM- A582, TYPE 303	GOLD PLATE PER MIL-G-45204
DIELECTRIC	TFE FLUOROCARBON PER ASTM-D-1457	N/A
CENTER CONTACT	BERYLLIUM COPPER PER ASTM-B-196 OR ASTM-B-197, ALLOY C17300, CONDITION H	GOLD PLATE PER MIL-G-45204

COMPONENT	MATERIAL	FINISH
-----------	----------	--------

UNLESS OTHERWISE SPECIFIED DIMENSIONS ARE IN INCHES  FRAC. DEC. ANGLES ± 1/64 ±.005 ± 1°	DRAWN BY R.M.K.	DATE 11/12/70	<b>AMP</b> AMP Incorporated 140 Fourth Avenue Waltham, MA 02451-7599
	CHECKED BY P.R.B.	11/16/70	
	APP'D BY B.W.C.	11/17/70	

These drawings and specifications are the property of M/A COM Interconnect Div. and shall not be reproduced or copied or used in whole or in part as the basis for the manufacture or sale of item(s) without written permission.	USE ASSY PROCEDURE	TITLE OSMM STRAIGHT BULKHEAD CABLE JACK		
	NO. A.P. 40-010 408-08255	SIZE B	CODE IDENT NO. 26805	4004-7947-00 REV 01 <sub>2</sub>
		SCALE 10:1	SHEET 1 OF 1	