

4

3

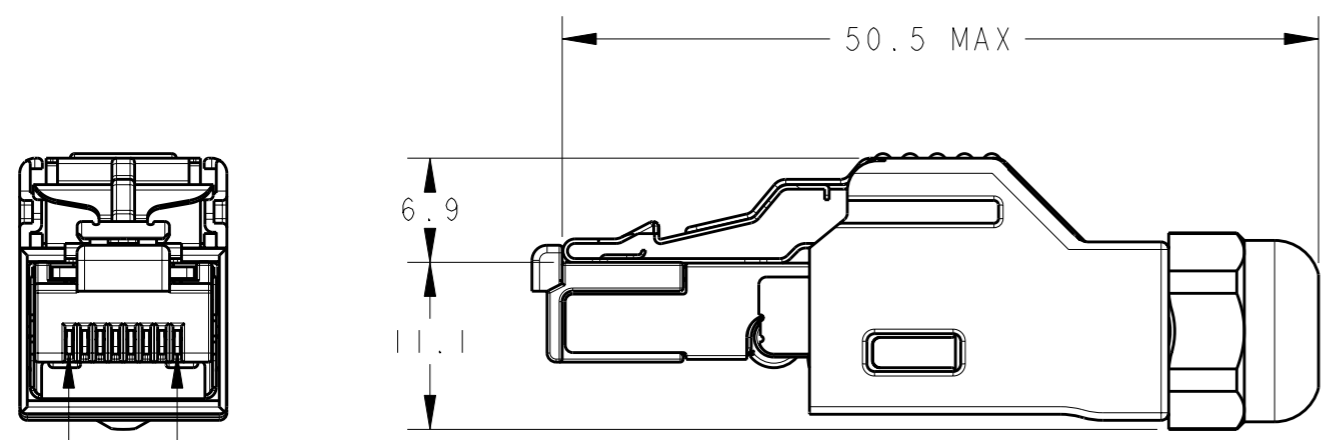
2

1

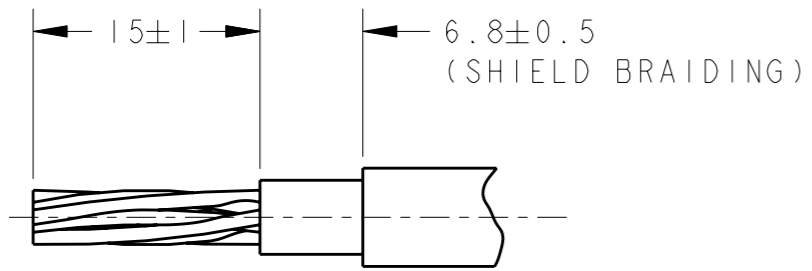
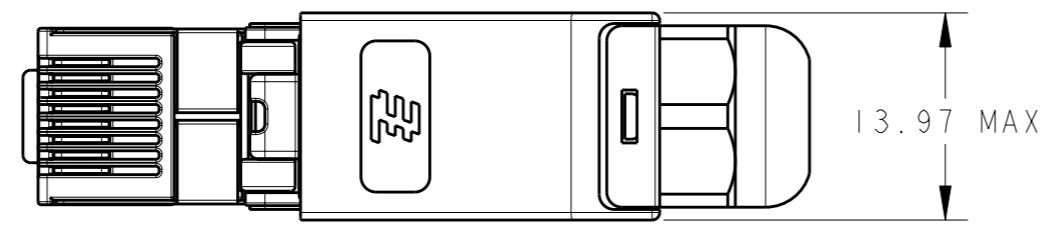
THIS DRAWING IS UNPUBLISHED. RELEASED FOR PUBLICATION 20
 © COPYRIGHT 20 ALL RIGHTS RESERVED.

LOC	DIST	REVISIONS					
J	-	P	LTR	DESCRIPTION	DATE	DWN	APVD
			BI	REVISED PER ECO-11-005030	26MAR2011	RK	HMR

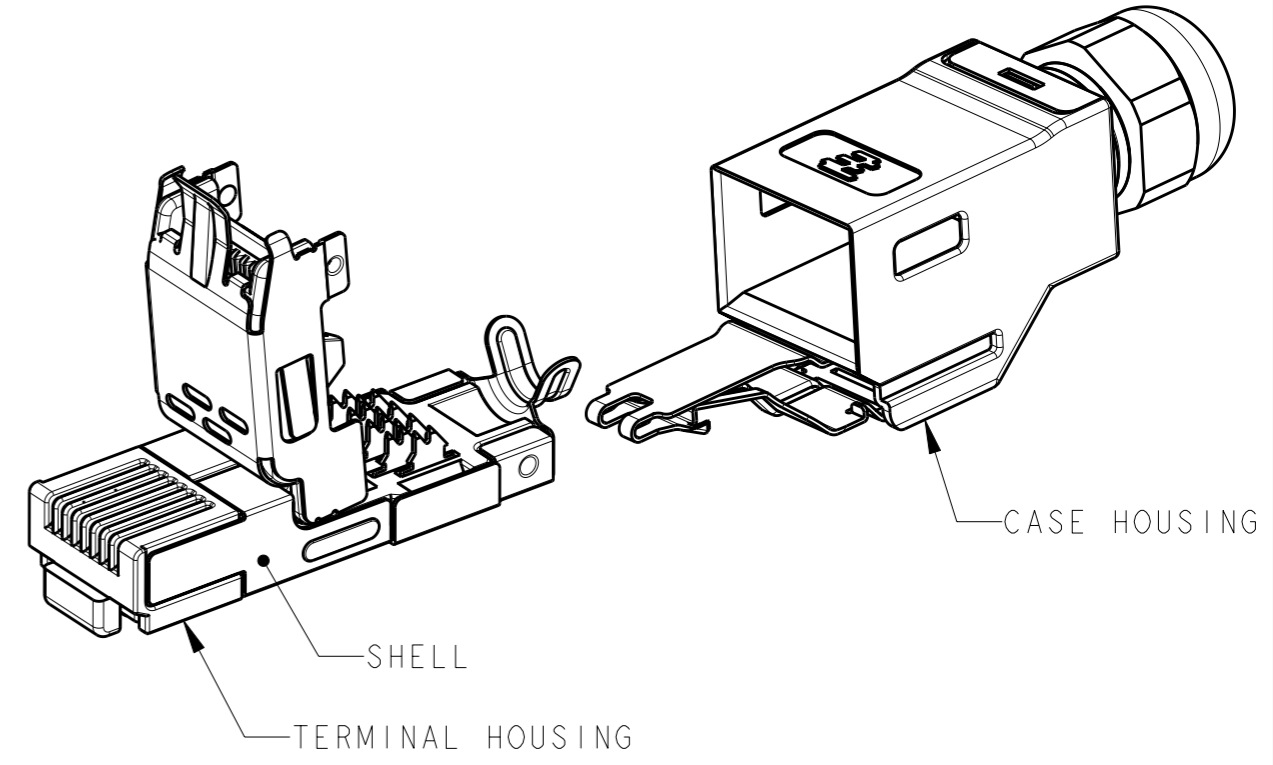
- 1: AS SHOWN



CONTACT 8
 CONTACT 1



RECOMMENDED STRIPPING LENGTH



- 1. MATERIAL : CASE HOUSING-POLYCARBONATE.
 TERMINAL HOUSING-NYLON.
 CONTACT-COPPER ALLOY.
 SHELL-COPPER ALLOY.
- 2. FINISH : CONTACT-UNDERPLATE: Ni
 CONTACT AREA: Au
 SHELL: Ni

COLOR ALLOCATION OF TERMINAL WIRE TO RJ45 CONTACT

CONTACT NO.	WIRE COLOR	
	568A	568B
1	WHITE/GREEN	WHITE/ORANGE
2	GREEN	ORANGE
3	WHITE/ORANGE	WHITE/GREEN
4	BLUE	BLUE
5	WHITE/BLUE	WHITE/BLUE
6	ORANGE	GREEN
7	WHITE/BROWN	WHITE/BROWN
8	BROWN	BROWN

THIS DRAWING IS A CONTROLLED DOCUMENT.

DIMENSIONS: 単位: 耗 mm	TOLERANCES UNLESS OTHERWISE SPECIFIED: 一般公差 ±0.3 0-PLC ± 1-PLC ± 2-PLC ± 3-PLC ± 4-PLC ± ANGLES ±3
MATERIAL 材料	FINISH 仕上

DWN	J. AKASAKA	29NOV2005
CHK	D. MITSUGI	IDEC2005
APVD	D. MITSUGI	IDEC2005
PRODUCT SPEC	108-78381	
APPLICATION SPEC	114-5402	
WEIGHT	-	
CUSTOMER DRAWING		

WIRE RANGE 包含電線断面積	INSULATION DIA 被覆外径	Ø 6.5	
STE TE Connectivity			
NAME 名称 RJ 45 CONNECTOR INDUSTRIAL ETHERNET IP20 8POS 180DEG STRD WIRE			
SIZE	CAGE CODE	DRAWING NO 番号	RESTRICTED TO
A3	-	C-1903527	-
SCALE 尺度		SHEET	OF
			REV BI