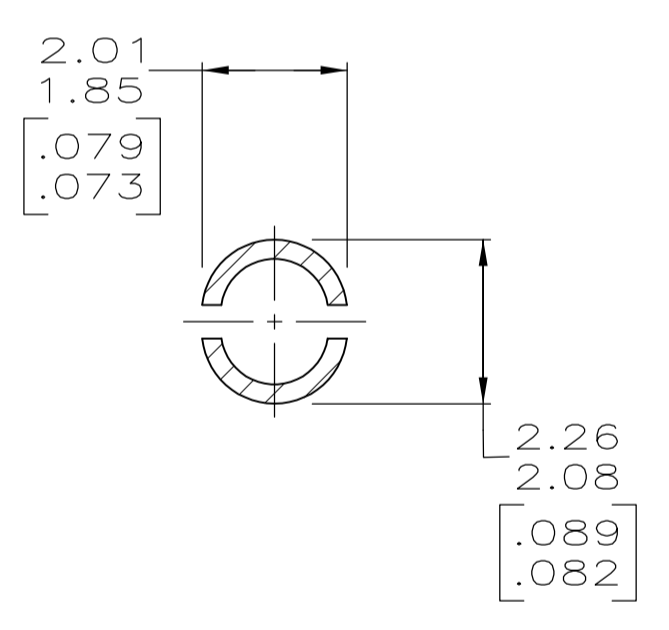
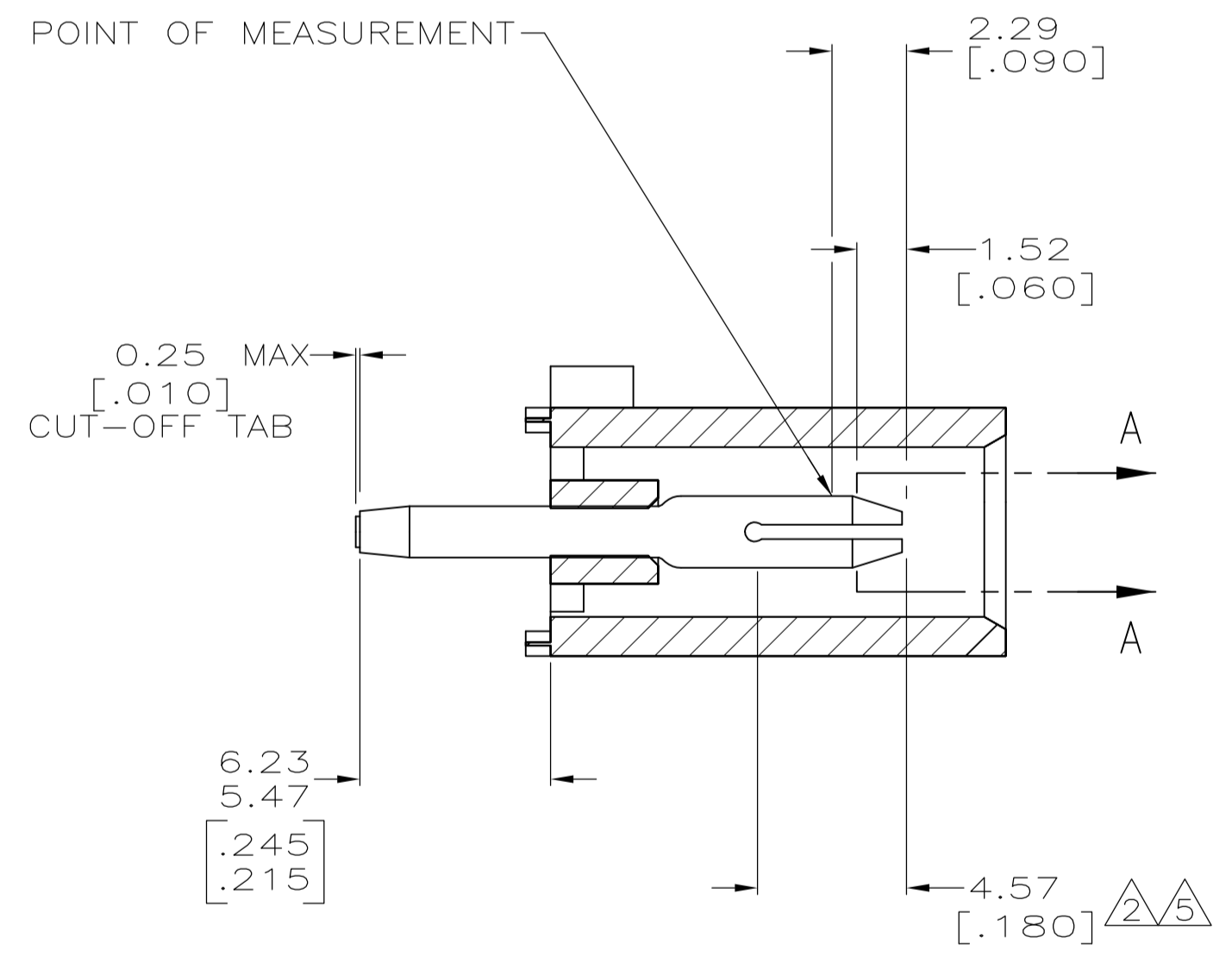
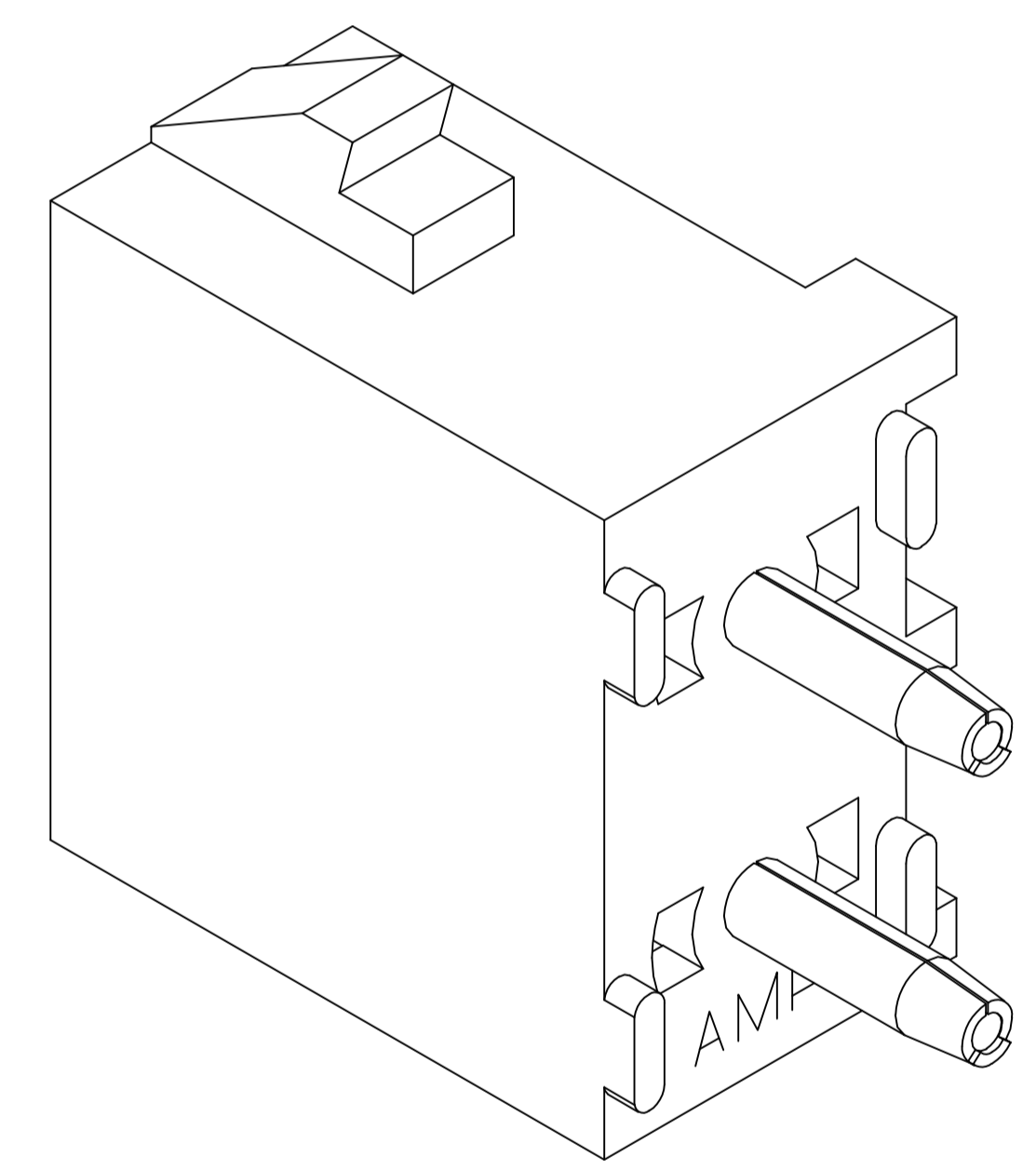


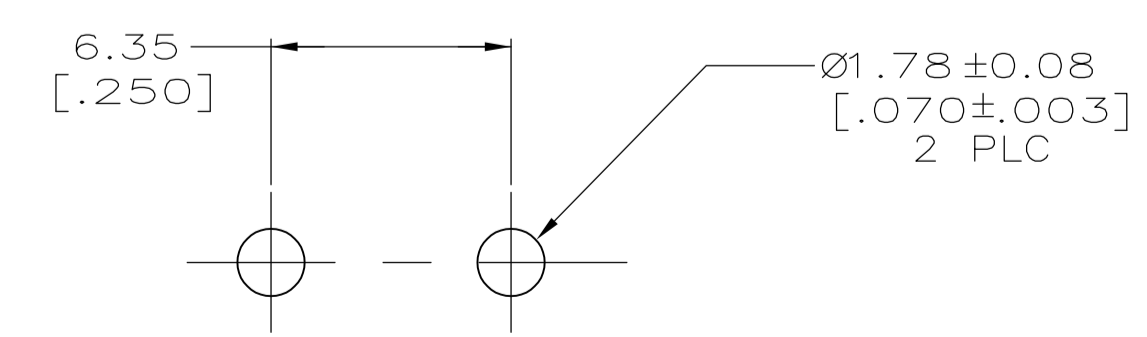
- 1 PARTS COMPLY TO AMP SOLDERABILITY SPECIFICATION 109-11-3.
- 2 CONTACT IS PLATED OVERALL WITH 0.00127 [.000050] NICKEL, THEN 0.00076 [.000030] GOLD OVER CONTACT LENGTH INDICATED AND MATTE TIN LEAD ON SOLDER TAIL END.
- 3 CIRCUIT IDENTIFICATION CHARACTERS ARE ADJACENT TO THE INDICATED CAVITIES, BUT LOCATION AND ORIENTATION MAY DIFFER FROM PRINT.
- 4 DIMENSIONS IN BRACKETS ARE IN INCHES.
- 5 CONTACT IS PLATED OVERALL WITH 0.00127 [.000050] NICKEL, THEN 0.00076 [.000030] GOLD OVER CONTACT LENGTH INDICATED AND MATTE TIN ON SOLDER TAIL END.
- 6 SUPERSEDED BY 350582-4



SECTION A-A
SCALE 10:1



3-DIMENSIONAL MODEL
NTS



RECOMMENDED MOUNTING HOLE PATTERN
FOR 3.18 [.125] THICK P.C. BOARD

PHOSPHOR BRONZE, GOLD	NYLON, UL94V-2, NATURAL	350582-4
PHOSPHOR BRONZE, GOLD	NYLON, UL94V-2, NATURAL	350582-2
PHOSPHOR BRONZE, PRE-TIN	NYLON, UL94V-2, NATURAL	350582-1
PIN CONTACT MATERIAL AND FINISH	HOUSING MATERIAL	PART NUMBER

THIS DRAWING IS A CONTROLLED DOCUMENT.		DIN 8-20-98	TE Connectivity	
DIMENSIONS: mm [INCHES]		0 PLC ± -	M TRULL	
TOLERANCES UNLESS OTHERWISE SPECIFIED:		1 PLC ± -	NAME	
2 PLC ± 0.13 [.005]		3 PLC ± -	APPLICATION SPEC	
4 PLC ± -		ANGLES ± 0° 30'	SIZE CAGE CODE DRAWING NO	
MATERIAL SEE TABLE	FINISH SEE TABLE	WEIGHT	A1 00779 C=350582	RESTRICTED TO
CUSTOMER DRAWING		SCALE 5:1	SHEET 1 OF 1	REV T2