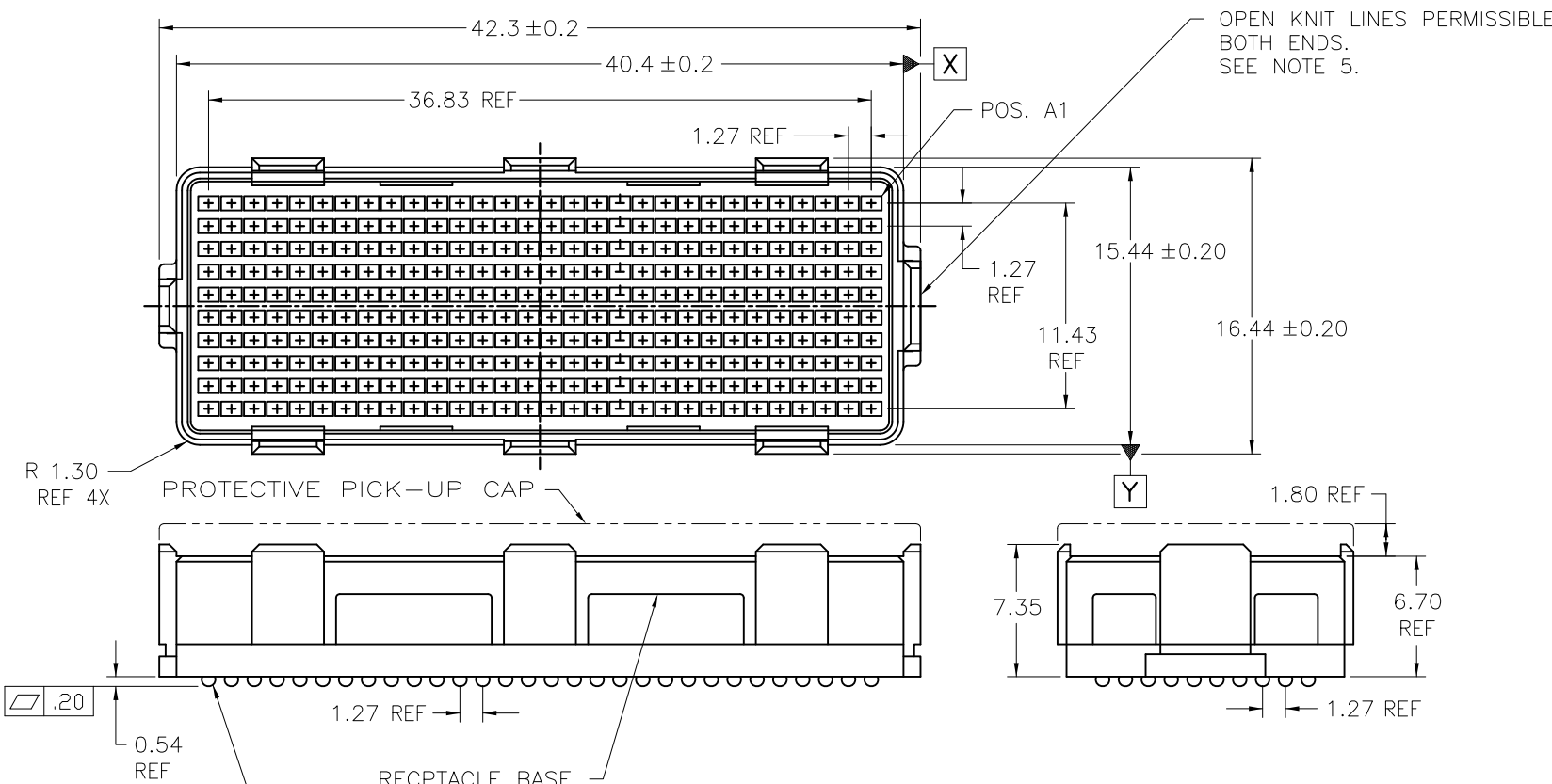


PRODUCT NUMBER  
SEE TABLE-SHEET 3



Ø 0.760 SOLDER BALLS  
NOTE 2  
⊕ Ø.30 X Y

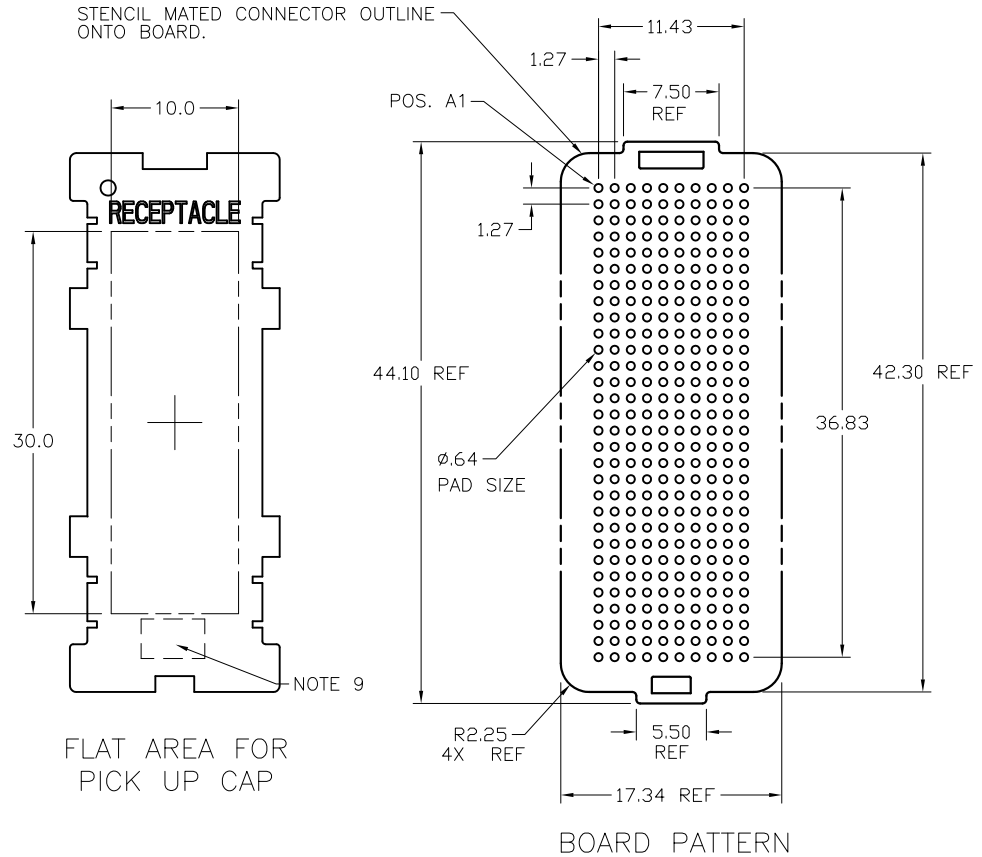
mat'l. code SEE NOTE 1				surface ASME Y14.5		tolerance ASME Y14.5		projection		product family MEG-ARRAY	
ltr	ecr no	dr	date	tolerances unless otherwise specified		angles		MM		title	
G	V12-0030	RE	2012-08-07	XXX ±0.01		X ±3 XX ±13		scale 3:1		8.0mm RECEPTACLE ASSEMBLY 10 x 30 = 300 POS.	
H	V12-0046	DCH	2012-11-20	0° ±2'		MM		FCI		sheet 1 of 4 size	
C	V03-0681	DAI	2003-06-20	dr		D. WAUGHEN		2000-02-23		dwg no	
D	V04-0940	VS	2004-10-18	enr		W. SPINK		2000-02-23		84553	
E	V06-0560	LP	2006-07-14	chr		W. SPINK		2000-02-23		A4	
F	V11-0028	HTB	2011-06-02	appd		W. SPINK		2000-02-23		type CUSTOMER Drawing	
sheet index	revision	H	H	H	H						
	sheet	1	2	3	4						

PRODUCT NUMBER

SEE TABLE-SHEET-3

NOTES:

- ① MATERIAL:  
HOUSING: LCP  
CONTACT: COPPER ALLOY
- PLATING  
CONTACT: (SEE TABLE ON SHEET 3)  
SOLDER BALL: (SEE TABLE ON SHEET 3)  
EUTECTIC SnPb OR LEAD FREE  
95.5Sn/4Ag/0.5Cu
- ② SOLDER BALLS WILL NOT BE PERFECT SPHERICAL SHAPE DUE TO REFLOW ATTACHMENT.
- ③ MATED HEIGHT EFFECTED BY CUSTOMER'S PCB PAD SIZE, PLATING, SOLDER REFLOW PROFILE, & SOLDER PASTE.
- ④ PLATING FOR INDICATED -2XX SERIES PRODUCT NUMBERS MEET THE REQUIREMENTS OF GR-1217-CORE, CENTRAL OFFICE ENVIRONMENT, (25 YEAR LIFE EXPECTANCY). THE CONTACTS GEOMETRY IN THESE PRODUCT NUMBERS IS SPECIAL, ALSO.
- ⑤ KNIT LINE: SLIGHT VISIBLE MARKS (USUALLY A LINE) INDICATING THE DIRECTION AND MEETING POINT OF PLASTIC RESIN FLOW FRONTS TRAVELING AROUND ANY OBSTRUCTIONS TO THE RESIN FLOW VIA THE REQUIRED MOLD TOOLING.
- ⑥ FOR PROPER APPLICATION FOLLOW FCI APPLICATION SPECIFICATION GS-20-033 LEAD FREE SOLDER BALLS WILL NOT SOLDER PROPERLY IN A LEADED SOLDER PROCESS DUE TO A HIGHER REFLOW TEMPERATURE. LEAD FREE PRODUCT IS THEREFORE NOT BACKWARDS COMPATIBLE WITH LEADED OR SOME SOLDERING APPLICATIONS. REFERENCE FCI APPLICATION SPECIFICATION
- ⑦ THIS PRODUCT MEETS EUROPEAN UNION DIRECTIVES AND OTHER COUNTRY REGULATIONS AS DESCRIBED IN GS-47-0004 PRODUCT MEETING THIS DIRECTIVE IS IDENTIFIED IN THE LOT CODE NUMBER MARKED ON EACH PART BY HAVING AN "X" IN THE SEVENTH CHARACTER POSITION.
- ⑧ 84553-A01 AND -A01LF ARE CUSTOMER SPECIALS.
- ⑨ CURRENT COMPANY LOGO TO BE VISIBLE IN APPROXIMATE AREA SHOWN.

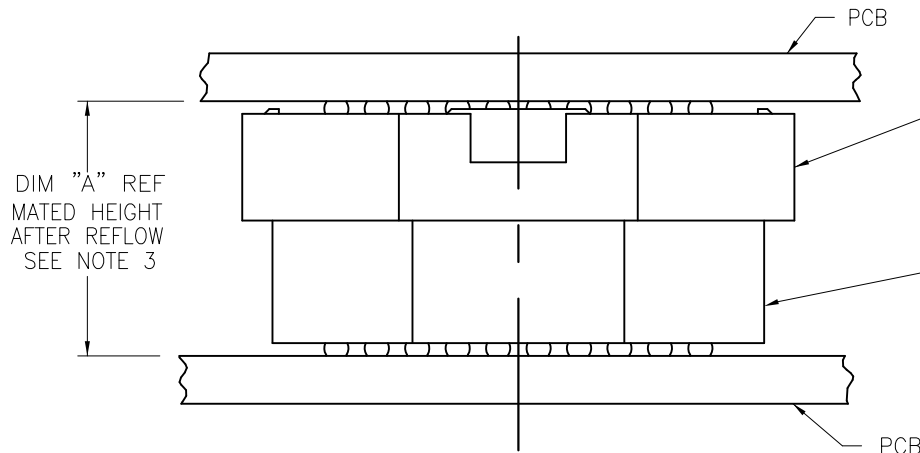


FLAT AREA FOR PICK UP CAP

mat'l. code		surface		tolerance		projection		product family	
SEE NOTE 1		ASME Y14.5		ASME Y14.5		MM		MEG-ARRAY	
ltr	ecn no	dr	date	tolerances unless otherwise specified				title	
H				angles	XXX ±0.01	scale 2:1		8.0mm RECEPTACLE ASSEMBLY	
				0° ±2'				10 x 30 = 300 POS.	
		dr	D. WAUGHEN	2000-02-23			dwg no		
		engr	W. SPINK	2000-02-23			sheet 2 of 4		
		chr	W. SPINK	2000-02-23			size		
		appd	W. SPINK	2000-02-23			A4		
sheet index		revision sheet				FCI		type CUSTOMER Drawing	

12. A SYMBOL WILL BE NEXT TO ANY DIMENSION, NEW VIEW OR NOTE WHICH HAS BEEN MODIFIED WITH THE CURRENT DRAWING REVISION

PRODUCT NUMBER	PICK-UP CAP (NATURAL OR BLACK COLOR)	CONTACT PLATING AND THICKNESS	SOLDER BALL	NOTES
84553-001	YES	15u" (.38um) Au	SnPb	
84553-001LF	YES	15u" (.38um) Au	LEAD FREE	7
84553-091	YES	15u" (.38um) GXT	SnPb	
84553-091LF	YES	15u" (.38um) GXT	LEAD FREE	7
84553-101	YES	30u" (.76um) Au	SnPb	
84553-101LF	YES	30u" (.76um) Au	LEAD FREE	7
84553-191	YES	30u" (.76um) GXT	SnPb	
84553-191LF	YES	30u" (.76um) GXT	LEAD FREE	7
84553-201	YES	50u" (1.27um) Au SPECIAL	SnPb	4
84553-201LF	YES	50u" (1.27um) Au SPECIAL	LEAD FREE	4 AND 7
84553-291	YES	50u" (1.27um) GXT SPECIAL	SnPb	4
84553-291LF	YES	50u" (1.27um) GXT SPECIAL	LEAD FREE	4 AND 7
84553-A01	YES	30u" (.76um)	SnPb	8
84553-A01LF	YES	30u" (.76um)	LEAD FREE	7 AND 8
84553-301	YES	15u" (.38um) Au SPECIAL	SnPb	8
84553-301LF	YES	15u" (.38um) Au SPECIAL	LEAD FREE	7 AND 8
84553-401	YES	30u" (.76um) Au SPECIAL	SnPb	8
84553-401LF	YES	30u" (.76um) Au SPECIAL	LEAD FREE	7 AND 8
84553-501	YES	Au SPECIAL	SnPb	4 AND 8
84553-501LF	YES	Au SPECIAL	LEAD FREE	4, 7 AND 8

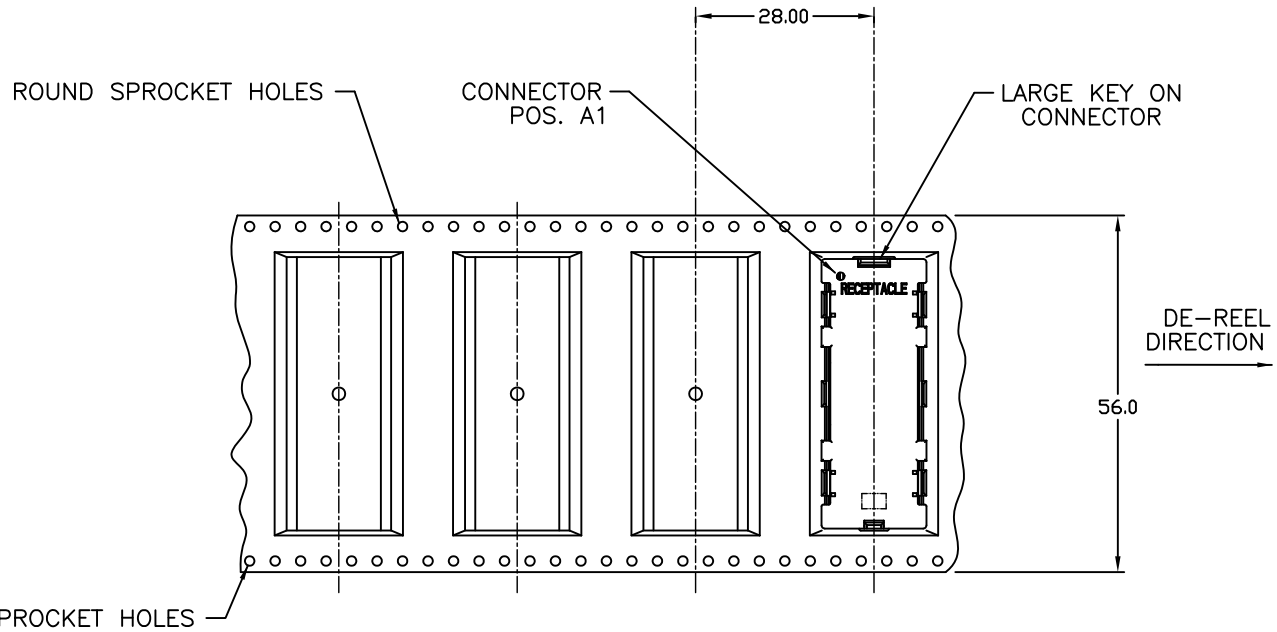


DIM. "A"	PLUG ASSY. P/N
8.0	84500
14.0	84578

MATED HEIGHT AFTER REFLOW IS BASED ON  $\phi$ .64mm PAD (METAL-DEFINED) AND .13mm SOLDER PASTE STENCIL THICKNESS. SEE NOTE 3.  
END VIEW - MATED CONNECTORS

mat'l. code		surface		tolerance		projection		product family	
SEE NOTE 1		ASME Y14.5		ASME Y14.5				MEG-ARRAY	
ltr	ecn no	dr	date	tolerances unless otherwise specified				title	
H				angles	linear	X +3 XX ±13		8.0mm RECEPTACLE ASSEMBLY	
				0° ±2'		XXX +0.01		10 x 30 = 300 POS.	
				dr	D. WAUGHEN	2000-02-23		scale 5:1	
				engr	W. SPINK	2000-02-23		dwg no	
				chr	W. SPINK	2000-02-23		sheet 3 of 4	
				appd	W. SPINK	2000-02-23		size	
sheet index		revision sheet						84553	
								A4	
								type CUSTOMER Drawing	

PRODUCT NUMBER  
SEE TABLE-SHEET 3



TAPES & REEL PACKAGING  
PER EIA 481-3

mat'l. code		surface		tolerance		projection		product family	
SEE NOTE 1		ASME Y14.5		ASME Y14.5				MEG-ARRAY	
ltr	ecm no	dr	date	tolerances unless otherwise specified		MM		title	
H				angles	X ±3			8.0mm RECEPTACLE ASSEMBLY	
				0° ±2'	XX ±.13	scale 1:1		10 x 30 = 300 POS.	
				xxx ±.051				dwg no	
		dr	D. WAUGHEN	2000-02-23				sheet 4 of 4 size	
		engr	W. SPINK	2000-02-23				84553 A4	
		chr	W. SPINK	2000-02-23				type	
		appd	W. SPINK	2000-02-23				CUSTOMER Drawing	
sheet index	revision sheet								