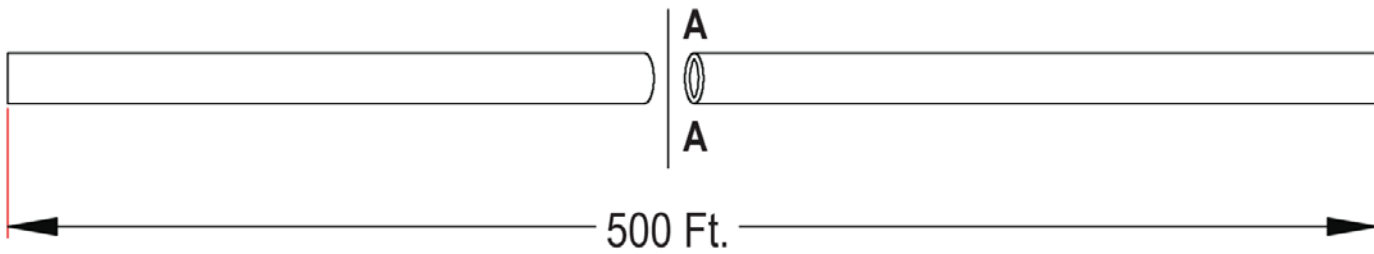


A



A

B

B

C

C

D

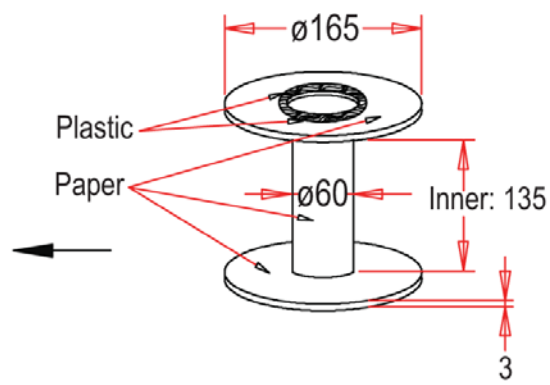
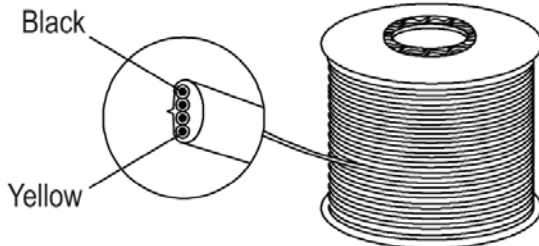
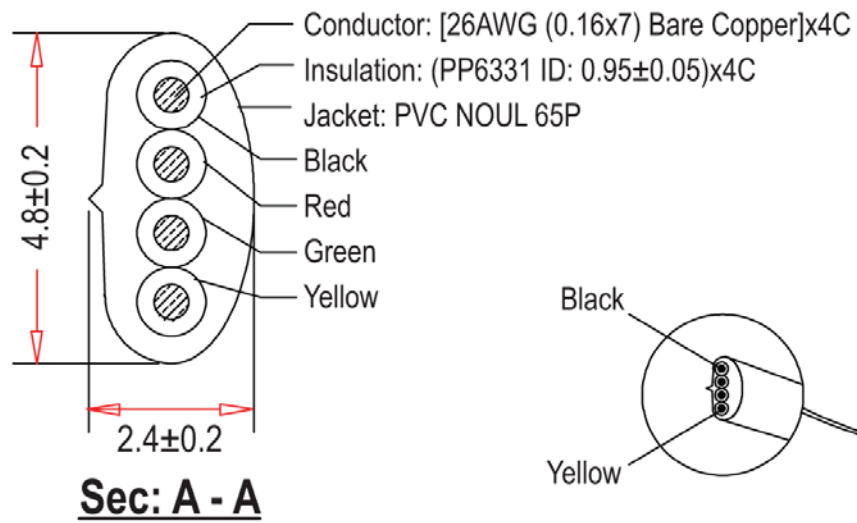
D

E

E

F

F



**500Ft/R. "PE" Foam Wrapped**

Unit: MM

G

G

H

H



Scale	1:1					Name	Item No.
TOLERANCE					Drawn	12.19.11	<b>AT-K-26-4-S/500</b>
X.X	±0.40				Approved		
X.XX	±0.25						Title
X.XXX	±0.15						Modular Straight cable - Raw, 4 Contact, 26AWG, Silver, 500Ft.
Angle	±3°						Drawing No.
							<b>rev00</b>
							Replace
							Sheet
			Modification	Date	Name		