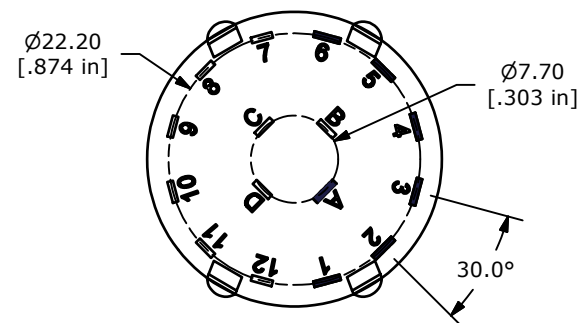
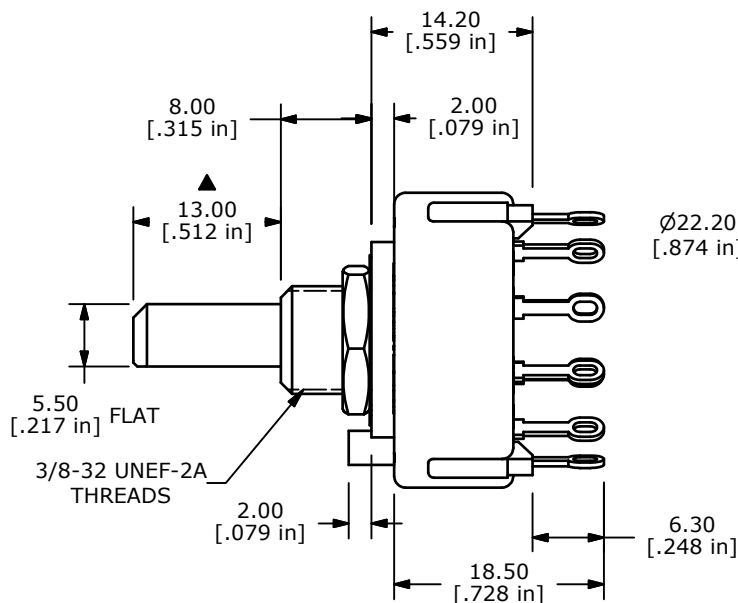
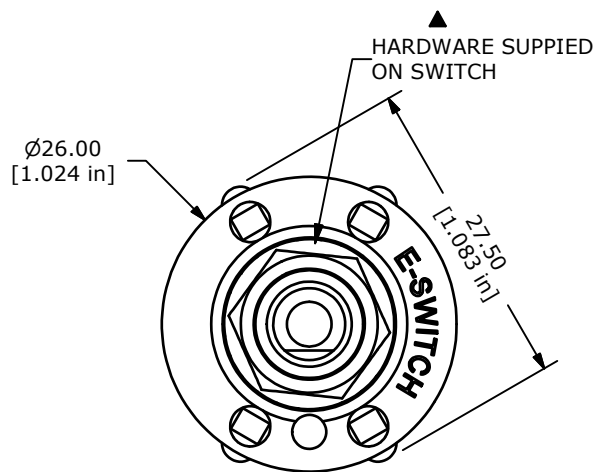


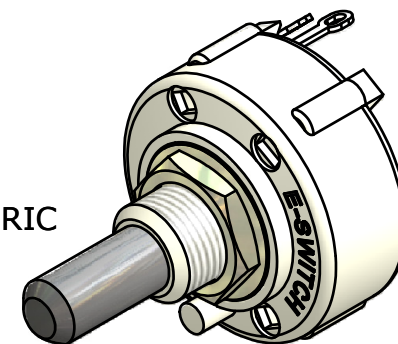
CONTACT CONFIGURATION
TIMING (BBM) NON-SHORTING




NOTE:

1. ALL DIMENSIONS IN MM[INCH].
2. GENERAL TOLERANCE: X.X=± 0.4
X.XX=± 0.25
3. TERM. NOS. FOR REFERENCE ONLY.
- ▲ 4. CONTACT MATERIAL: GOLD FLASH OVER SILVER
OVER COPPER ALLOY
5. CONTACT RATING: 150mA @ 250VAC/DC
350mA @ 110VAC/DC
6. CONTACT RATING (NON-SWITCHING) 5A
7. OPERATING FORCE 425± 100CM/STANDARD
- ▲ 8. OPERATING TEMP: -30°C TO 85°C
9. CIRCUIT SP: 6 POSITION 30° INDEX.
- ▲ 10. DIELECTRIC STRENGTH: 1000V RMS MIN.@ SEA LEVEL.
11. HARDWARE SUPPLIED ON SWITCH:
LOCKWASHER, HEXNUT, STOP RING
12. ▲ DENOTES CRITICAL PARAMETER.
13. 2002/95/EC (ROHS) COMPLIANT

ISOMETRIC



A	20178	RELEASED FOR PRODUCTION	9/23/11	BGL
REV	PCR NO	DESCRIPTION	DATE	BY

				
TITLE KC16A13.001NLF				
SCALE	DATE	DR	DWG	REV
1.5:1	9/26/2011	BGL	G527573	A

THE INFORMATION CONTAINED IN THIS DOCUMENT IS PROPRIETARY TO E-SWITCH AND IS NOT TO BE COPIED OR TRANSFERRED