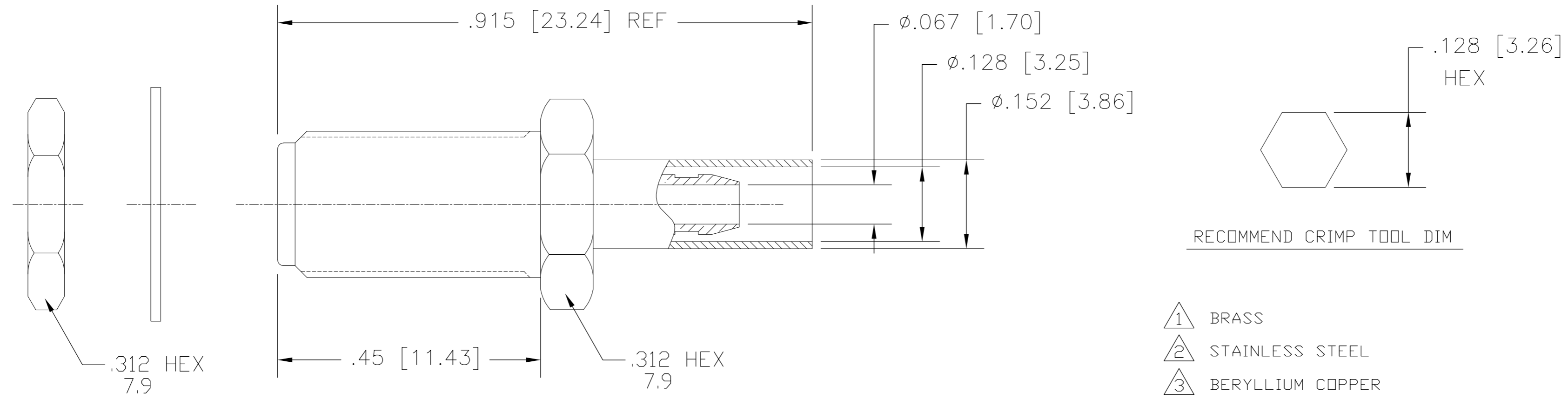


THIS DRAWING IS UNPUBLISHED. RELEASED FOR PUBLICATION
 © COPYRIGHT BY TYCO ELECTRONICS CORPORATION. ALL RIGHTS RESERVED.

LOC	DIST	REVISIONS			
P	LTR	DESCRIPTION	DATE	DWN	APVD
AJ	00	B	REV PER ECO-09-013650	-	ANS/BOB



- ① BRASS
- ② STAINLESS STEEL
- ③ BERYLLIUM COPPER
- ④ PHOSPHOR BRONZE
- ⑤ PTFE
- ⑥ GOLD PLATE
- ⑦ NICKEL PLATE
- ⑧ PASSIVATE
- ⑨ WHITE BRONZE

ELECTRICAL	MECHANICAL	ENVIRONMENTAL
Nominal Impedance (Ω ms) <u>50</u>	Interface Dimensions MIL-STD-348A, Fig. 310.1	TEMPERATURE RATING -40° TO +95° DURABILITY:500 CYCLES
Frequency Range (GHz) DC to 6	Recommended Mating Torque <u>7-10 In-Lbs</u>	
Volt Rating (VRMS MAX) @ Sea Level <u>250</u>	Mating Characteristics:	.XXX = in XX.X = mm
VSWR <u>1.18 + .02f(GHz)</u>	Insertion (MAX Lbs) N/A	
Insertion Loss (dB MAX) <u>.07 \sqrt{f} GHz</u>	Withdrawal (MIN Oz) N/A	
Dielectric Withstanding Voltage (VRMS MIN) @ Sea Level <u>750</u>	Force to Engage and Disengage (In-Lbs MAX) <u>2</u>	
Contact Resistance (Milliohms MAX) Center Contact <u>5.0</u>	Center Contact Captivation Axial (Lbs) <u>6 Min</u>	
Outer Contact <u>3.0</u>	Radial (In-Oz) N/A	
Cable to Housing <u>0.5</u>	Cable Retention Axial Force (Lbs) <u>20 MIN</u>	
RF High Potential @ Sea Level (VRMS MIN @ 5 MHz) <u>500</u>	Torque (In-Oz) N/A	
I.R.(Megohms MIN) <u>5,000</u>	Weight (Grams) TBD	

① ⑨	① ⑨	⑤	③ ⑥	① ⑦	④ ⑨	1056452-3
② ⑧	② ⑧	⑤	③ ⑥	① ⑦	② ⑧	1056452-1
HOUSING	MOUNTING NUT	DIELECTRIC	CENTER CONTACT	FERRULE	LOCK WASHER	TE PN.

THIS DRAWING IS A CONTROLLED DOCUMENT.

DWN BWC	6/2/67	Tyco Electronics Corporation Kunshan, Jiangsu, RPC 215312
CHK EJD	8/9/67	
APVD DJ	8/10/67	
PRODUCT SPEC	-	
APPLICATION SPEC	408-4661	NAME OSM STRAIGHT CABLE(RG-174/U) JACK CLAMP ATTACHMENT
MATERIAL -	FINISH -	SIZE A2 CAGE CODE 00779 DRAWING NO C=1056452 RESTRICTED TO -
CUSTOMER DRAWING		SCALE 5:1 SHEET 1 of 1 REV B

1056452