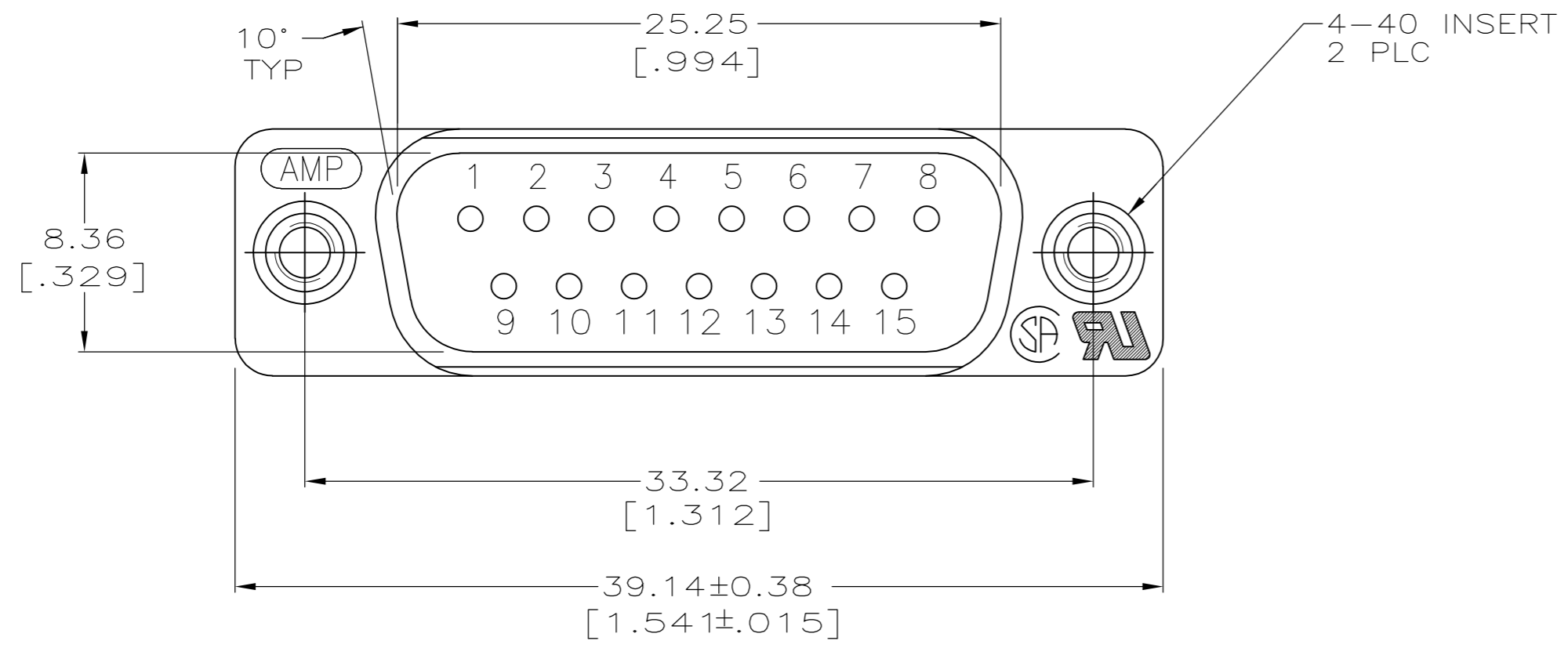
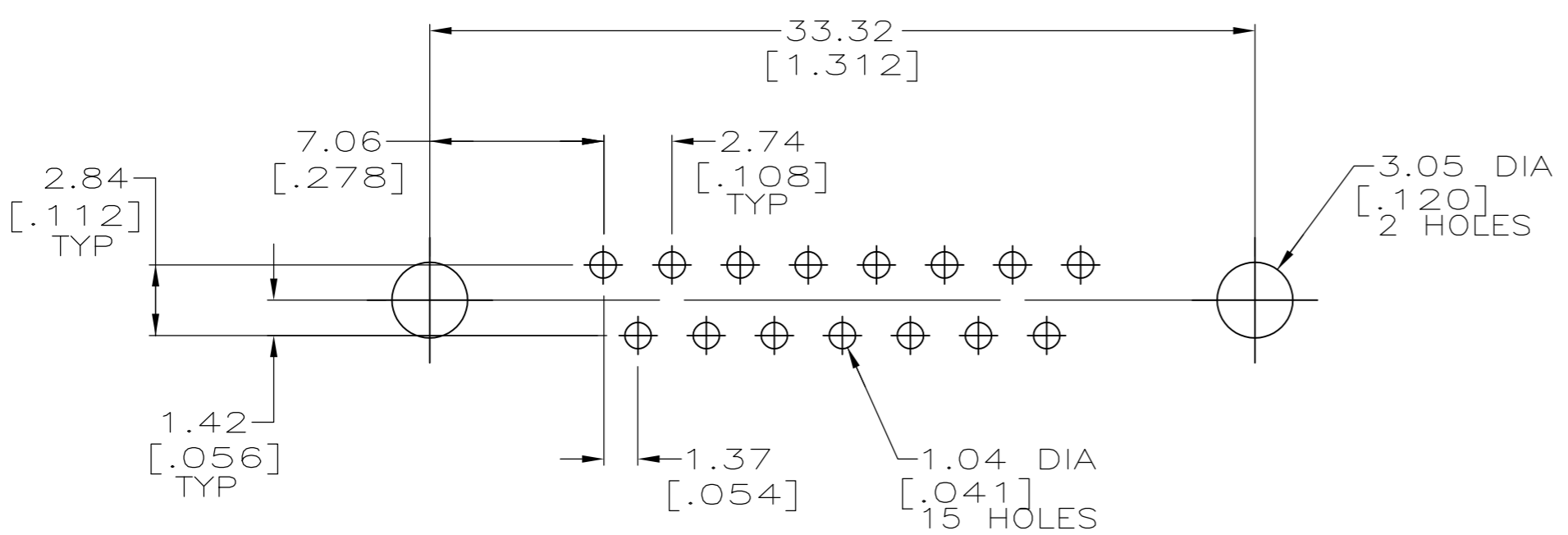
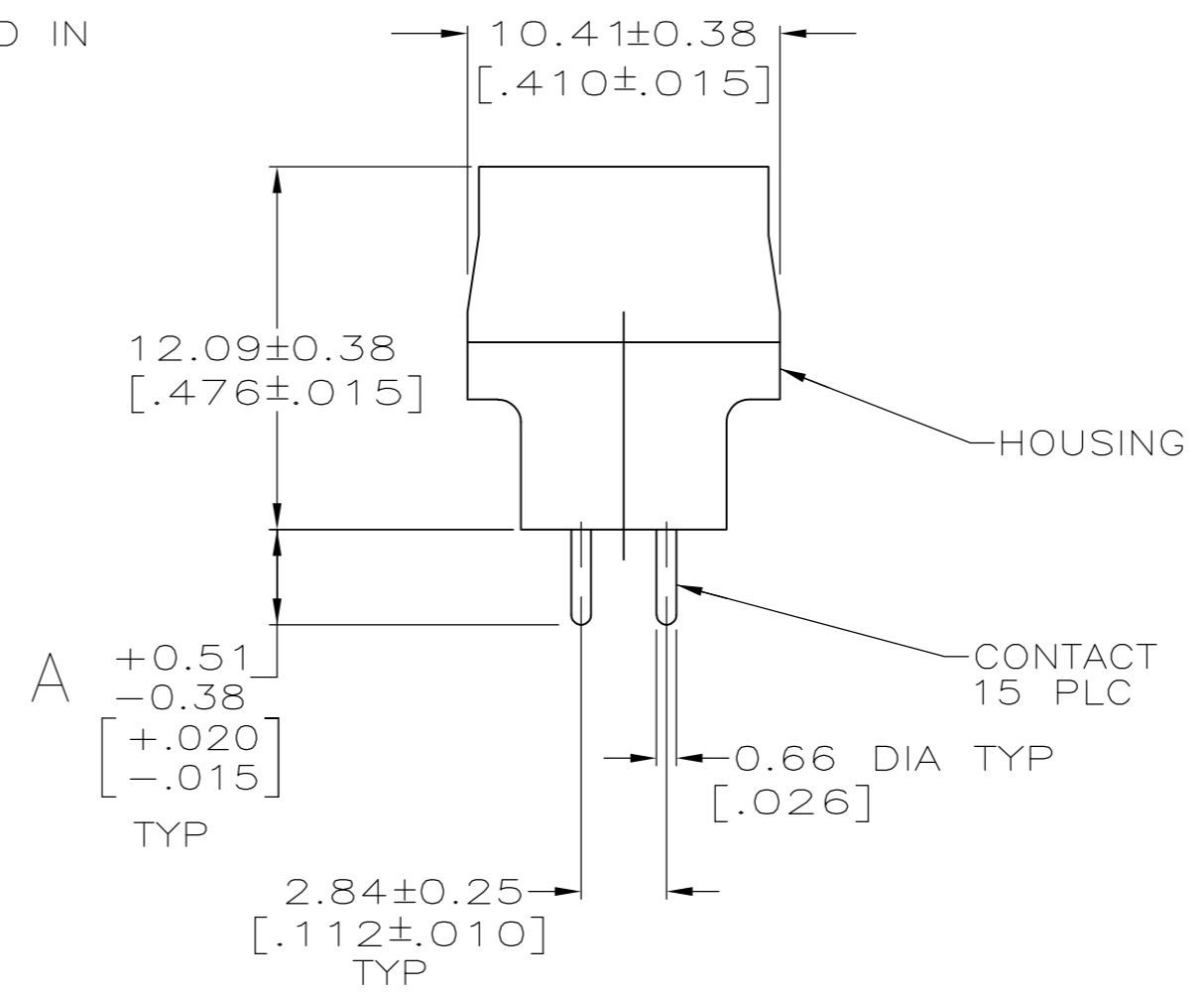
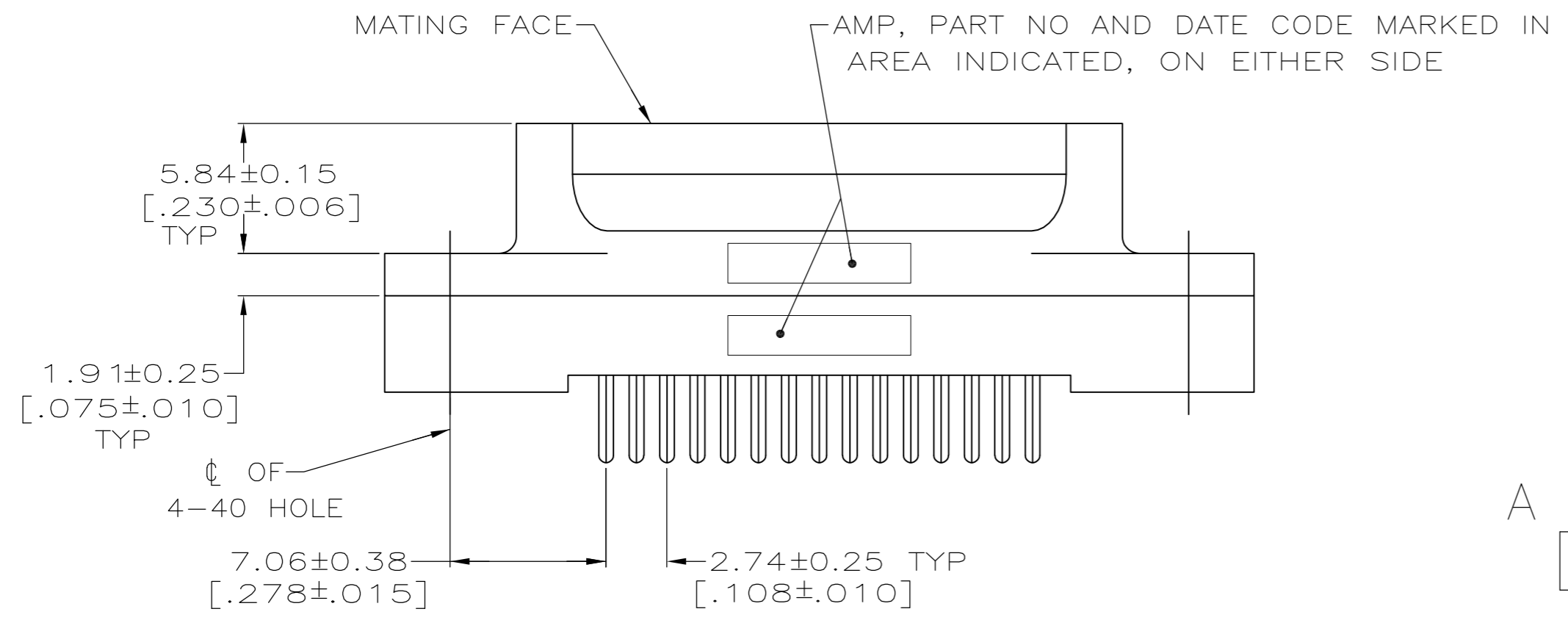


THIS DRAWING IS UNPUBLISHED. RELEASED FOR PUBLICATION  
 © COPYRIGHT BY TYCO ELECTRONICS CORPORATION. ALL RIGHTS RESERVED.

LOC	DIST	REVISIONS					
GP	00	P	LTR	DESCRIPTION	DATE	DWN	APVD
		J		REVISED PER ECO-06-028338	11/DEC/06	ZMR	EDB
		J1		REVISED PER ECO-09-021826	07JAN10	KK	AEG



- ① HOUSING: BLACK POLYESTER, UL 94V-0 RATED;  
CONTACTS: BRASS  
INSERTS: BRASS
- ② GOLD PLATED FOR LENGTH OF 3.81 [.150] MIN FROM MATING END, GOLD FLASH IN MATED AREA, 2.54μm [.000100] MIN TIN OR TIN-LEAD FOR A LENGTH OF DIMENSION A FROM OPPOSITE END, BOTH OVER 1.27μm [.000050] MIN NICKEL.
- ③ GOLD PLATED FOR LENGTH OF 3.81 [.150] MIN FROM MATING END, 0.76μm [.000030] MIN GOLD IN MATED AREA, 2.54μm [.000100] MIN TIN OR TIN-LEAD FOR A LENGTH OF DIMENSION A FROM OPPOSITE END, BOTH OVER 1.27μm [.000050] MIN NICKEL.  
-OR-  
GOLD FLASH OVER PALLADIUM NICKEL FOR A LENGTH OF 3.81 [.150] MIN FROM MATING END, 0.76μm [.000030] MIN PALLADIUM NICKEL IN MATED AREA, 2.54μm [.000100] MIN TIN OR TIN-LEAD FOR A LENGTH OF DIMENSION A FROM OPPOSITE END, BOTH OVER 1.27μm [.000050] MIN NICKEL.
- ④ OBSOLETE PARTS: OBSOLETE CIS STREAMLINING PER D.RENAUD/D.SINISI



RECOMMENDED PC BOARD MOUNTING DIMENSIONS

	DIMENSION A	CONTACT FINISH	PART NUMBER
③	6.35 [.250]	③	745052-6
②	6.35 [.250]	②	745052-5
③	4.32 [.170]	③	745052-4
②	4.32 [.170]	②	745052-3
③	3.18 [.125]	③	745052-2
④	3.18 [.125]	②	745052-1

THIS DRAWING IS A CONTROLLED DOCUMENT.		DWN J McCLINTON 11-15-89	Tyco Electronics Corporation Harrisburg, PA 17105-3608	
DIMENSIONS: mm [INCHES]	TOLERANCES UNLESS OTHERWISE SPECIFIED:	CHK R.STONE 2-1-90	NAME PLUG ASSEMBLY, SIZE 2, 15 POSN, VERTICAL, AMPLIMITE® HD-20	
	0 PLC ± -	APVD C. ROHDE 2-2-90	SIZE A2	CAGE CODE 00779
	1 PLC ± -	PRODUCT SPEC 108-40025	DRAWING NO C=745052	RESTRICTED TO -
	2 PLC ± 0.13 [.005]	APPLICATION SPEC -	SCALE NTS	SHEET 1 OF 1
	3 PLC ± -	WEIGHT -	REV J1	
	4 PLC ± -	CUSTOMER DRAWING		
	ANGLES ± 2°			
MATERIAL ①	FINISH CONTACTS: SEE TABLE			